

AMADA STYLE



Press brake tooling and equipment

**UTENSILI E
ATTREZZATURE
PER PRESSE PIEGATRICI**

Eurostamp Tooling significa qualità, competenza e precisione. **Dal 1970 produciamo utensili e attrezzature per la piegatura straordinariamente precisi**, offrendo soluzioni di estrema qualità per tutti quei clienti che richiedono costantemente massimi livelli di performance e affidabilità.
“Eurostamp Tooling, the italian excellence”.

*Eurostamp Tooling means quality, competence, accuracy. **Since 1970** we have been manufacturing outstandingly accurate tooling and providing top quality solutions to all those customers who require the highest levels of performance and reliability.*

“Eurostamp Tooling, the italian excellence”



EUROSTAMP TOOLING
the Italian excellence



EUROSTAMP TOOLING

the Italian excellence

L'azienda è stata creata nel 1970 e, sin da allora, siamo orgogliosi di produrre e commercializzare **utensili e attrezzature per la piegatura** altamente performanti, affidabili e caratterizzati dai più elevati standard di qualità. Il nostro parco macchine utensili a elevata tecnologia e il magazzino con ampia disponibilità ci permettono di soddisfare ogni esigenza e richiesta speciale.

I nostri utensili sono realizzati con **acciai al carbonio e acciai speciali di provenienza italiana**, con tempra a induzione sulle parti usurabili che ne garantisce una **durezza di 55-60 HRC**. Offriamo un'ampia gamma di accessori per presse piegatrici: adattatori inferiori e superiori, sistemi di bloccaggio manuali e pneumatici.

Il nostro ufficio tecnico interno, inoltre, è in grado di studiare i progetti di piegatura personalizzati in modo tempestivo e accurato.

*The company was formed in 1970 and, since then, we have been proud to produce and market high performing, **reliable tools for bending**, which are characterised by the highest quality standards. Our highly-technological machine tool range and large warehouse facilities, allow us to meet every need and special requirement you may have*

*Our tools are made of **medium carbon steel and special Italian-sourced alloy steel**, with induction hardening on the parts subject to wear that guarantees **55-60 HRC hardness**.*

We provide a large range of accessories for press brakes: lower and upper adaptors, manual and pneumatic clamping systems. Our in-house technical office is also able to study fully customised bending projects in a timely and accurate manner.

CHI SIAMO

WHO WE ARE

LA NOSTRA FILOSOFIA

Eurostamp Tooling è un'azienda con cuore italiano e anima internazionale; abbiamo deciso di concentrarci e **specializzarci esclusivamente nella produzione e sviluppo degli utensili di piegatura**, settore in cui abbiamo sviluppato la **più alta tecnologia applicata a ciascuno dei processi interni**.

Il nostro reparto produttivo pone la massima attenzione alla **cura dei dettagli, alla precisione e all'accurato** controllo della qualità con una ispirazione artigianale: selezioniamo i migliori fornitori italiani di materia prima, e investiamo costantemente **in attrezzature di qualità** e in spazi di stoccaggio di ampio respiro.

Poniamo una fortissima attenzione alla formazione dello staff tecnico e produttivo ed investiamo costantemente in **ricerca e sviluppo perché crediamo fortemente che il modo migliore per soddisfare i nostri clienti sia il superamento delle loro aspettative con soluzioni innovative e un supporto pre e post vendita di elevato livello**. Il team commerciale lavora quotidianamente a fianco dello staff tecnico e produttivo per diffondere ovunque la nostra filosofia di marchio.

OUR PHILOSOPHY

*Eurostamp Tooling is an Italian company with an international soul, we decided to **focus only on manufacturing and engineering of tooling for press brakes**, so we invested all of **our resources on the state-of-art technologies applied to any of internal processes**.*

*Our production department put the highest care on every detail, on the maximum **accuracy and on the minute quality control**, according to a craftsman mood: we selected the best raw materials suppliers among the Italian market, beside we have been steadily investing on the **highest quality equipment** and in a precisely organised warehouse.*

*We put a strong attention to train our production and engineering staff and to invest on **research and development activities** because we believe that the best way to satisfy the customer demands is to overcome his expectations with innovative solutions and with a high level pre and post sales support.*

Our sales staff works daily beside the production and the engineering departments in order to spread worldwide our brand philosophy.



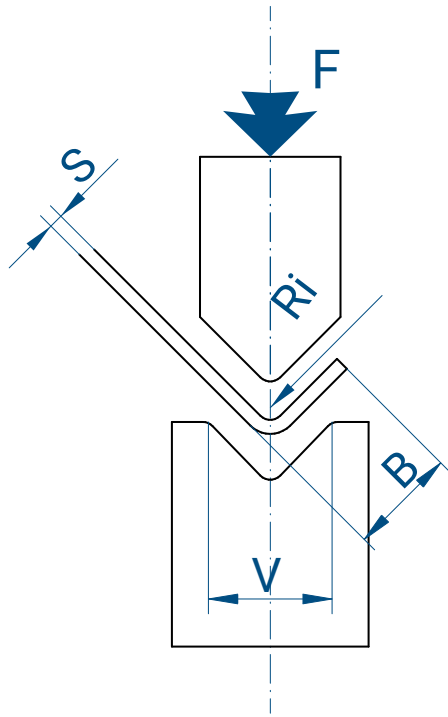
*Our staff are specialists who **follow every production phase from choosing** the best steel to the procedures for machining, hardening and grinding of each piece. We are using only 100% Italian quality steel for granting always **the best accuracy and the conformity with the highest standards specifications**.*

Gli specialisti che compongono il nostro staff **controllano ogni fase produttiva**, dalla scelta delle leghe e degli acciai grezzi, **alle procedure di fresatura**, tempra e rettifica di ogni pezzo. Usiamo acciaio al 100% italiano per garantire massima **precisione e caratteristiche meccaniche ad alto standard qualitativo**.

LE COMPETENZE OUR COMPETENCES

Calcolo della forza di piega in aria

Air bending force calculation



S	Spessore lamiera - mm Sheet metal thickness - mm	Ri	Raggio interno Inside radius
V	Larghezza del V V-opening	R	Alluminio 20-25 kg/mm ² Aluminium 20-25 kg/mm ²
F	Forza in T/m Force in T/m	R	Acciaio dolce 40-45 kg/mm ² Mild steel 40-45 kg/mm ²
B	Bordo minimo Shortest edge	R	Inox 65-70 kg/mm ² Stainless steel 65-70 kg/mm ²

$$F = \left| \frac{S^2 \times 2 \times R}{1.4 \times V} \right| = \dots \text{ ton/m}$$

Relazione tra spessore lamiera e larghezza V

Sheet metal thickness/V-shape width ratio

S	Spessore lamiera - mm Sheet metal thickness - mm	0,5-2,5	3-8	9-10	12 o più 12 or more
V	Larghezza del V "V" width	6 S	8 S	10 S	12 S

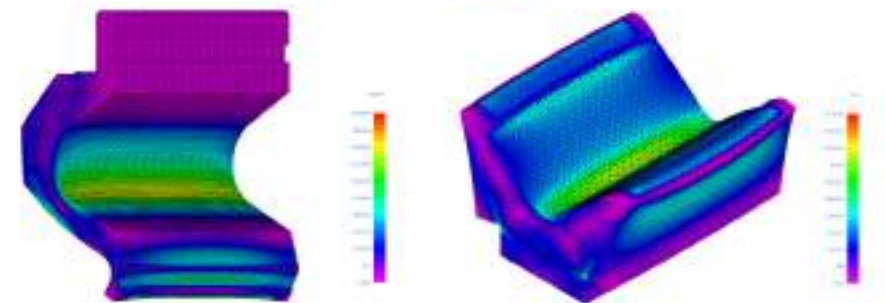


Tabella di piegatura in aria - Acciaio dolce / Air bending table - Mild Steel

S			mm	0,5	0,6	0,8	1	1,2	1,5	2	2,5	3	4	5	6	8	10	12	15	20	25	30	
6	4	1		3	4	7	11	16															
8	5,5	1,3			4	5	8	12	17														
10	7	1,6				4	7	10	15	27													
12	8,5	2					6	8	13	22	35												
16	11	2,6						6	9	17	26	38											
20	14	3,3							8	13	21	30	54										
25	17,5	4								11	17	24	42	67									
32	22	5									13	19	34	52	75								
40	28	6,5										15	27	42	60	107							
50	35	8											21	33	48	85	134						
63	45	10												26	38	68	105						
80	55	13													30	53	85	120					
100	71	16														43	67	96	150				
125	89	20															53	78	120	215			
160	113	26																60	95	170	265		
200	140	33																	75	135	210	300	
250	175	41																		108	170	240	
320	226	53																			85	130	190
V	B	Ri																					F

t/m

Tabella di piegatura in aria - Acciaio inox / Air bending table - Stainless Steel

S			mm	0,5	0,6	0,8	1	1,2	1,5	2	2,5	3	4	5	6	8	10	12	15	20	25	30	
6	4	1		5	6	11	17	25															
8	5,5	1,3			6	8	12	19	26														
10	7	1,6				6	11	16	23	42													
12	8,5	2					9	12	20	34	54												
16	11	2,6						9	14	26	40	59											
20	14	3,3							12	20	33	47	84										
25	17,5	4								17	26	37	65	104									
32	22	5									20	30	53	81	117								
40	28	6,5										23	42	65	93	166							
50	35	8											33	51	75	132	208						
63	45	10												40	59	106	163						
80	55	13													47	82	132	187					
100	71	16														67	104	149	233				
125	89	20															82	121	187	334			
160	113	26																93	148	264	412		
200	140	33																	117	210	327	467	
250	175	41																		168	264	373	
320	226	53																			132	202	296
V	B	Ri																					F

t/m



EUROSTAMP TOOLING

the Italian excellence

Gli utensili superiori ed inferiori elencati in questa sezione possono essere installati sulle piegatrici:

Upper and lower tooling listed on this section could be installed on the following press brakes:

ACL, Accurpress, AM Machinery, Amada, Atlantic, Adira, Baykal, BL, Boschert, Boutillon, Bystronic-Beyeler Euro-B, Coastone, Colgar, Dener, Deratech, Durmazlar, Ermaksan, Farina, Gade, Gasparini, Gizelis, Haco, Hindustan, Iturrospe, Jfy, JMT, LFK, Metfab, MVD, Oriance, Prima Power, Promecam, Rico, Salvagnini, Schiavi, SMD, Sorg, Somo, Vicla, Vimercati, Warcom, Yangli, Yawei, Ysd, ecc.

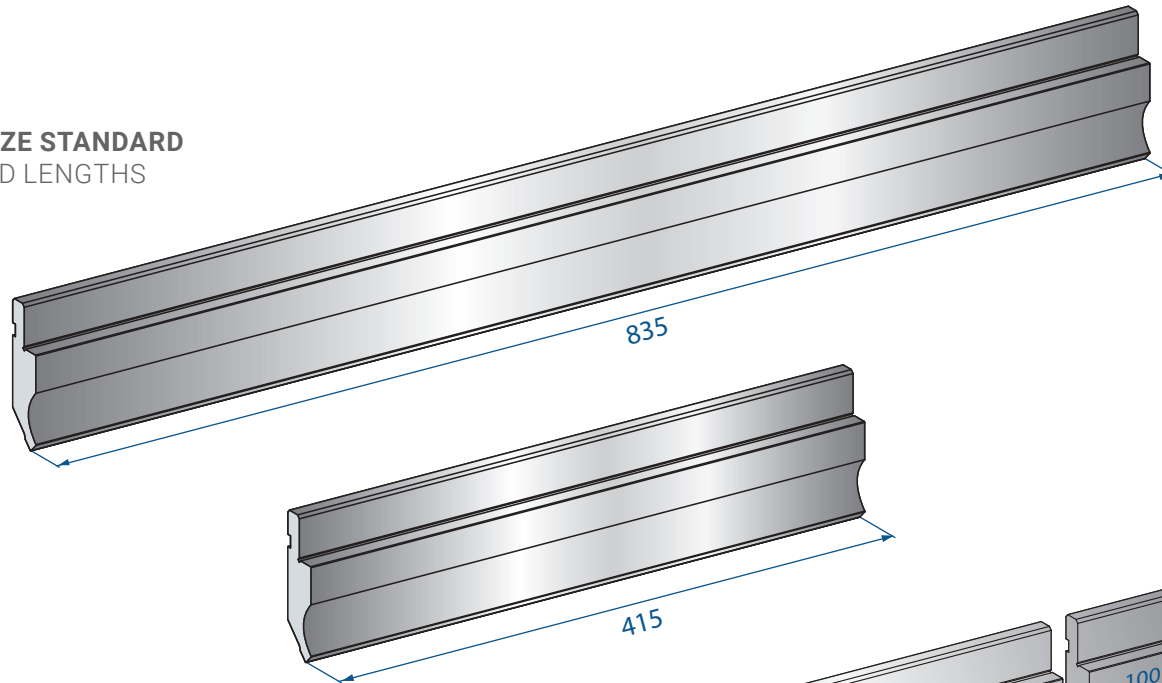
Questi utensili possono essere installati anche su altre piegatrici tramite adattatori superiori e inferiori

These tooling are could also be installed on other press brakes by using the correct upper and lower adapters

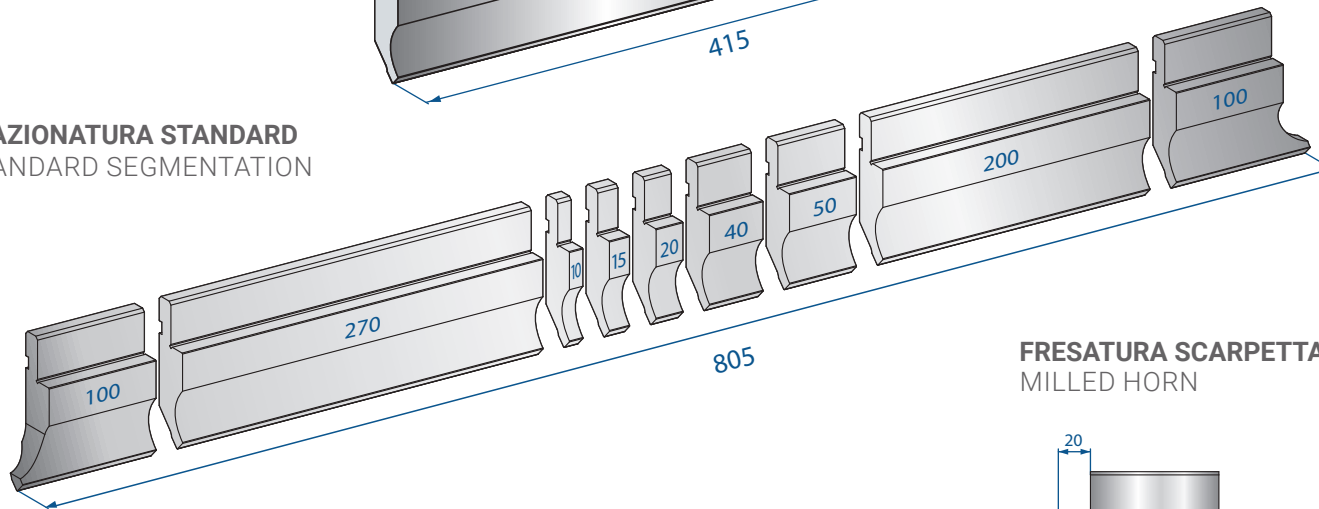
AMADA

PUNZONI / PUNCHES	10	• Matrici 4V / 4V dies.....	57
• Lunghezze standard/Standard lengths.....	10	• Matrici 1V / 1V dies 85°.....	58-59
• Modifiche a richiesta / Modifications on request.....	11	• Matrici 1V / 1V dies 80°.....	60-61
• Scarpette mobili / Moving horns.....	13	• Matrici 1V / 1V dies 70°.....	62
• Punzoni / Punches 90°.....	14-18	• Matrici 1V / 1V dies 60°.....	63
• Punzoni / Punches 88°.....	19-27	• Matrici 1V / 1V dies 45°.....	64-65
• Punzoni / Punches 85°.....	30-31	• Matrici 1V / 1V dies 30°.....	65
• Punzoni / Punches 60°.....	32-35	• Matrici a T H80 / T dies H80 90°.....	66-67
• Punzoni / Punches 45°.....	36	• Matrici a T H80 / T dies H80 88°.....	68-69
• Punzoni / Punches 35°.....	37	• Matrici a T H80 / T dies H80 85°.....	70-71
• Punzoni / Punches 30°.....	38-40	• Matrici a T H80 / T dies H80 60°.....	72-73
• Punzoni / Punches 26°.....	41	• Matrici a T H80 / T dies H80 45°.....	74-75
		• Matrici a T H80 / T dies H80 30°.....	76-77
MATRICI / DIES	44	• Matrici a T H120 / T dies H120 90°.....	78-79
• Lunghezze standard/Standard lengths.....	44	• Matrici a T H120 / T dies H120 88°.....	80-81
• Modifiche a richiesta / Modifications on request.....	45	• Matrici a T H120 / T dies H120 85°.....	82-83
• Rialzi per matrici 2V / Die holders for 2V dies.....	46	• Matrici a T H120 / T dies H120 60°.....	84-85
• Rialzi per matrici autocentranti / Die holders for self centering dies.....	47	• Matrici a T H120 / T dies H120 45°.....	88-89
• Fermo per matrici autocentranti / Fixed bar for self centering dies.....	47	• Matrici a T H120 / T dies H120 30°.....	90-91
• Esempio di montaggio / Assembly example.....	47	• Supporto per inserti matrici / Die inserts holder.....	92
• Matrici 2V / 2V dies 90°.....	48	• Inserti matrice / Die inserts 88°.....	94-95
• Matrici 2V / 2V dies 88°.....	49	• Inserti matrice / Die inserts 60°.....	96-97
• Matrici 2V / 2V dies 60°/30°.....	50	• Inserti matrice / Die inserts 30°.....	98-99
• Matrici 2V autocentranti / 2V self centering dies 90°.....	51	• Piegaschiaccia / Flattening hemming tools.....	100-101
• Matrici 2V autocentranti / 2V self centering dies 88°.....	52-53	• Tabella di piegatura / Bending chart.....	102
• Matrici 2V autocentranti / 2V self centering dies 30°.....	55	• Piegaschiaccia pneumatici / Pneumatic flattening hemming tools.....	103
• Matrici 2V L / 2V L dies 90°.....	56	• Piegaschiaccia / Flattening hemming tools.....	104-105
• Matrici 3U / 3U dies.....	56		

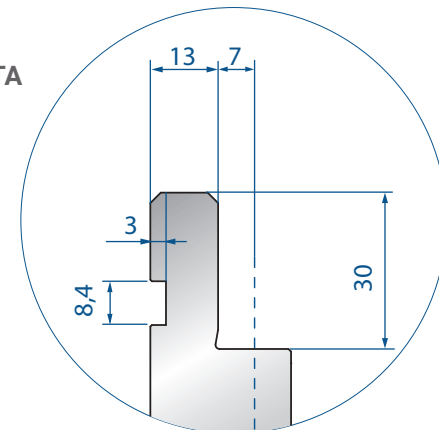
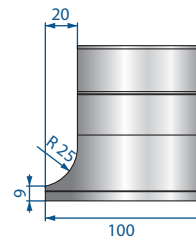
LUNGHEZZE STANDARD
STANDARD LENGTHS



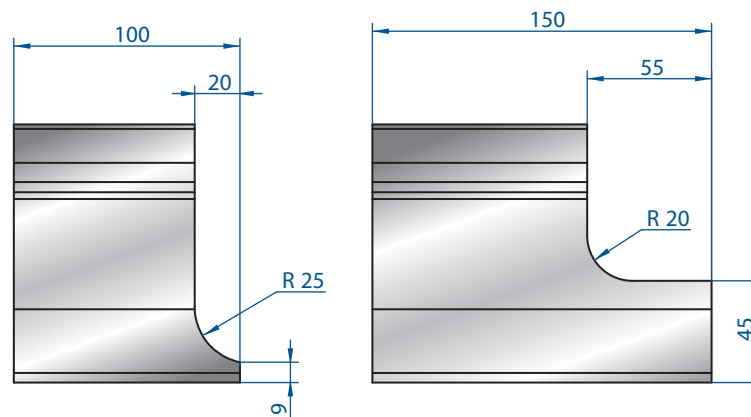
FRAZIONATURA STANDARD
STANDARD SEGMENTATION



FRESATURA SCARPETTA
MILLED HORN



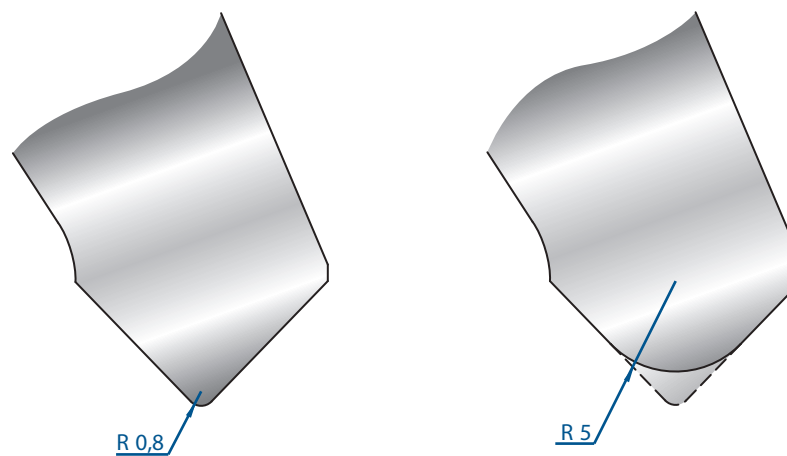
SCARPETTE SPECIALI
SPECIAL HORNS



TAGLI A RICHIESTA
SPECIAL SEGMENTATION



MODIFICA RAGGIO
RADIUS MODIFICATION

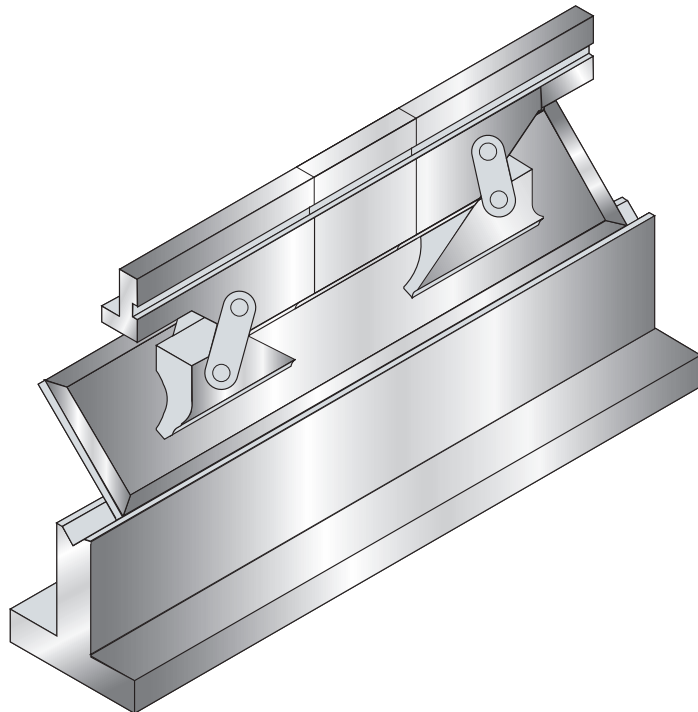
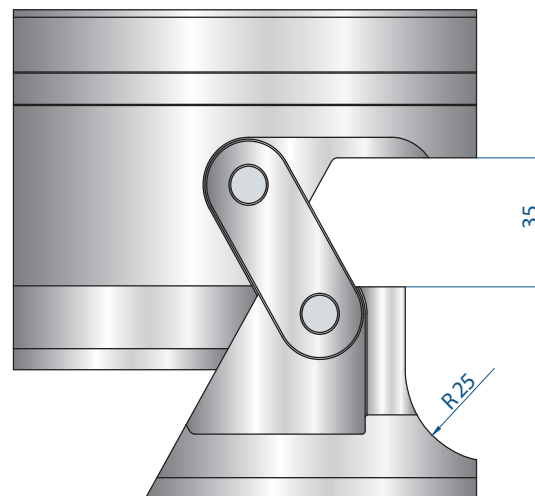
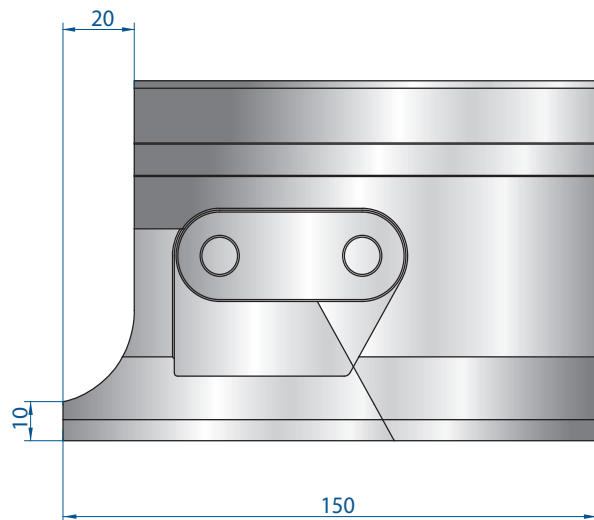


AMADA
PROMECAM STYLE



SCARPETTE MOBILI / MOVING HORNS

AMADA
PROMECAM STYLE



PUNZONE SCARPETTE MOBILI PUNCH MOVING HORNS

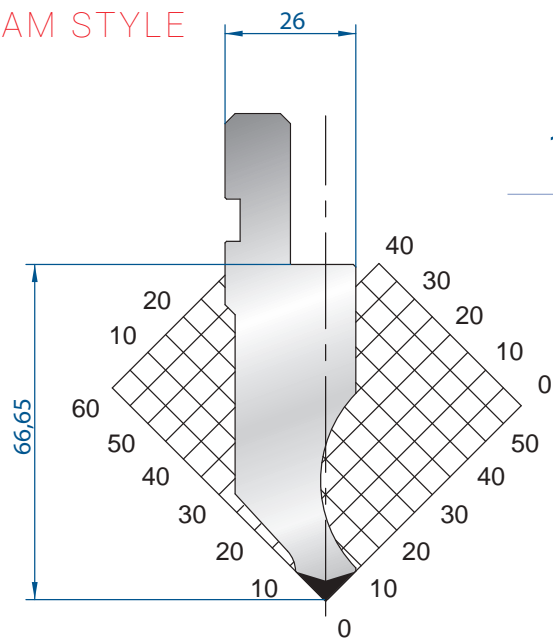
1010	1010S
2x150	833,00 € 3,5 kg

1011	1011S
2x150	808,00 € 3,5 kg

1064	1064S
2x150	833,00 € 3,5 kg

1065	1065S
2x150	808,00 € 3,5 kg

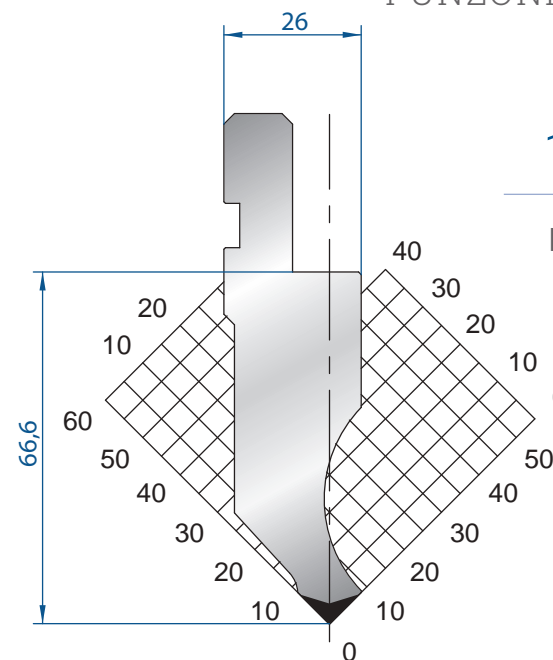
1047	1047S
2x150	1.366,00 € 4,0 kg



1010

Mat = C45
H = 66.65
Max T/m = 100
 $\alpha = 90^\circ$
R = 0.8

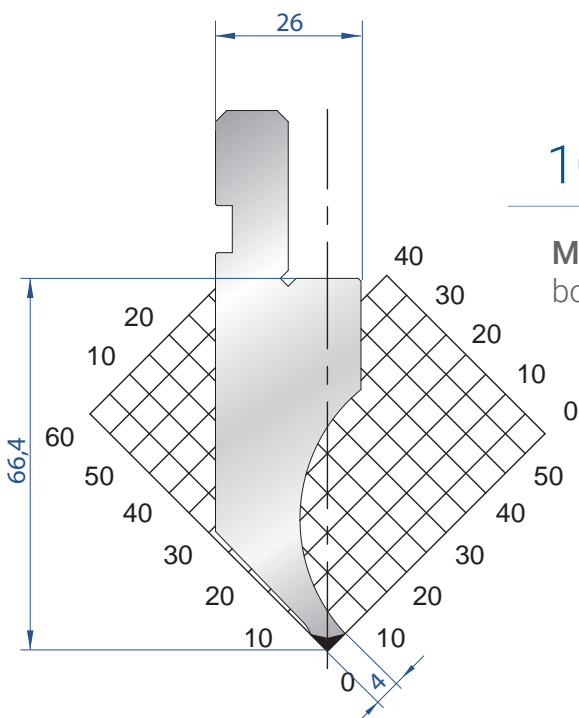
835 mm	11,0 kg
415 mm	4,5 kg
805 mm	11,0 kg
FRAZ. / SECT.	



1064

Mat = C45
H = 66.60
Max T/m = 100
 $\alpha = 90^\circ$
R = 0.25

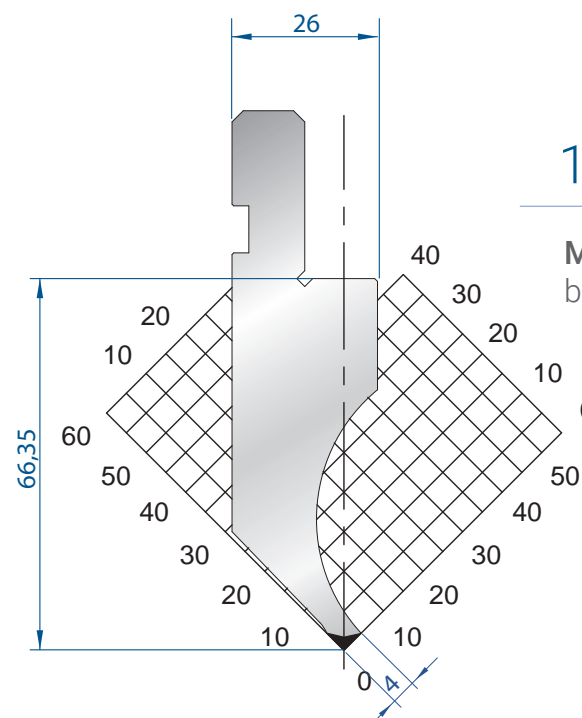
835 mm	11,0 kg
415 mm	5,0 kg
805 mm	11,0 kg
FRAZ. / SECT.	



1048

Mat = C45
bonificato / tempered
H = 66.40
Max T/m = 35
 $\alpha = 90^\circ$
R = 0.6

835 mm	10,0 kg
415 mm	5,0 kg
805 mm	10,0 kg
FRAZ. / SECT.	



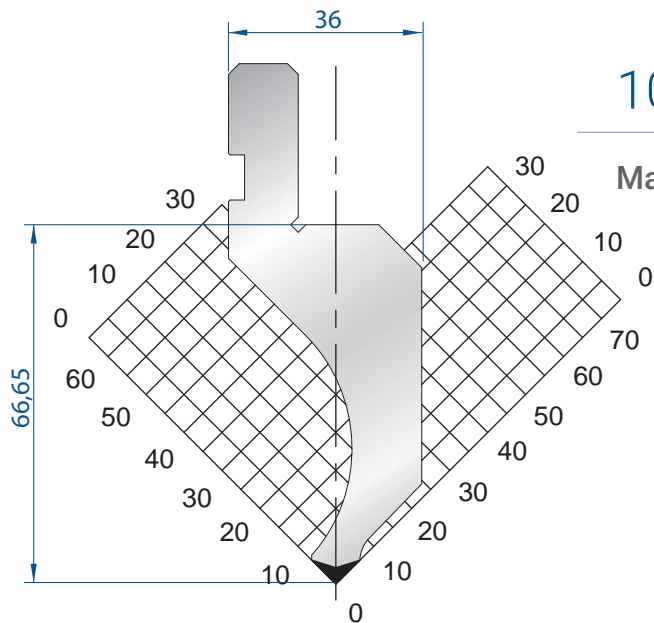
1263

Mat = C45
bonificato / tempered
H = 66.35
Max T/m = 35
 $\alpha = 90^\circ$
R = 0.25

835 mm	11,0 kg
415 mm	5,0 kg
805 mm	11,0 kg
FRAZ. / SECT.	



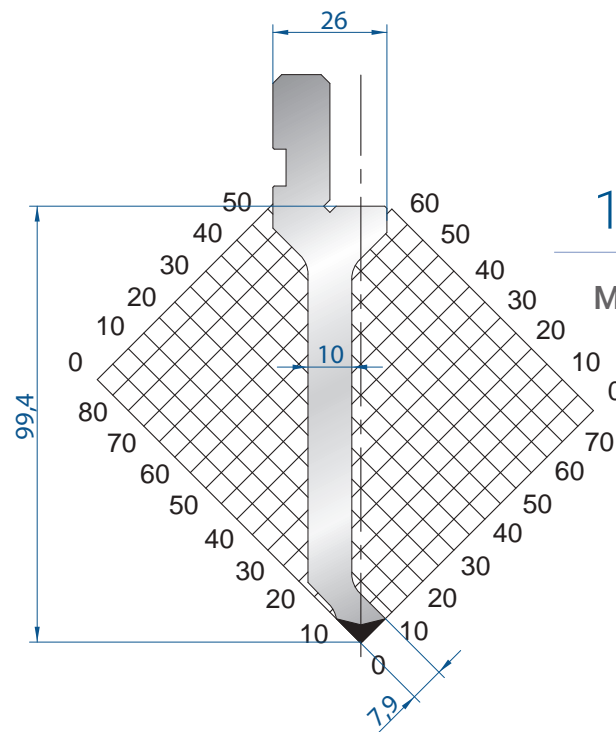
1080



Mat = C45
 H = 66.65
 Max T/m = 60
 $\alpha = 90^\circ$
 R = 0.8

835 mm	12,0 kg
415 mm	6,0 kg
805 mm	12,0 kg
FRAZ. / SECT.	

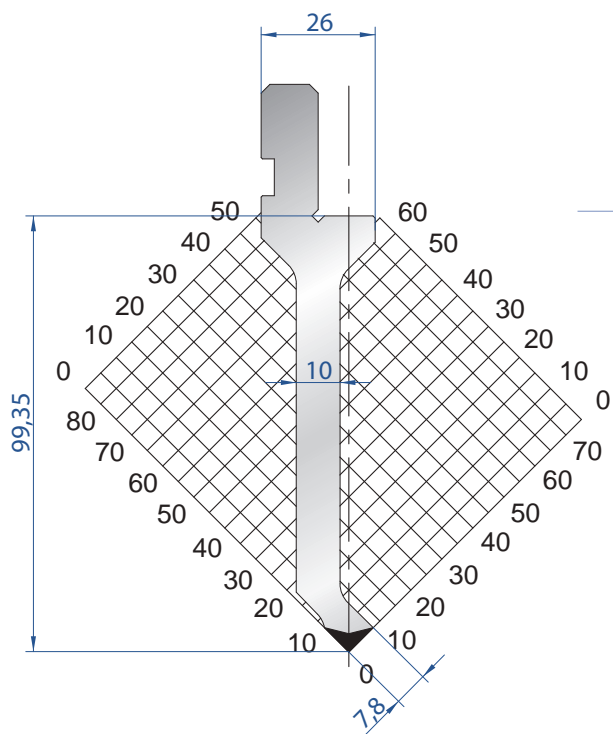
1028



Mat = C45
 H = 99.40
 Max T/m = 50
 $\alpha = 90^\circ$
 R = 0.6

835 mm	10,0 kg
415 mm	5,0 kg
805 mm	10,0 kg
FRAZ. / SECT.	

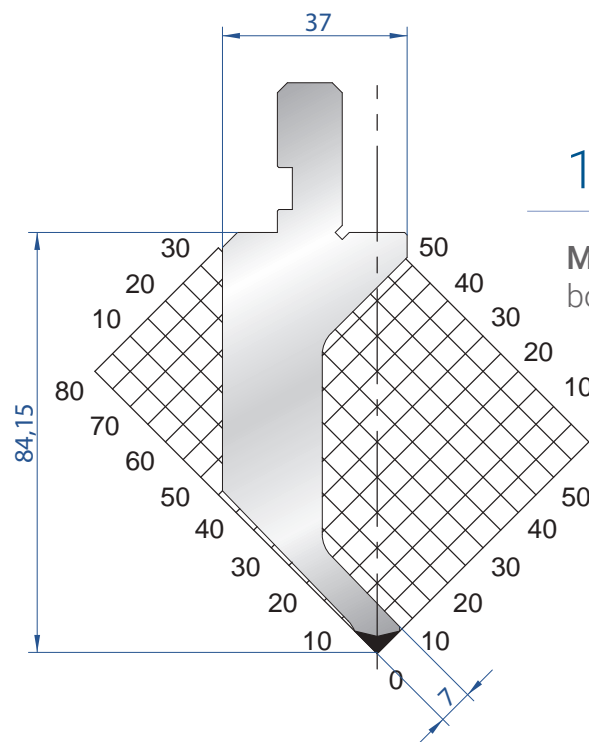
1261



Mat = C45
 H = 99.35
 Max T/m = 50
 $\alpha = 90^\circ$
 R = 0.25

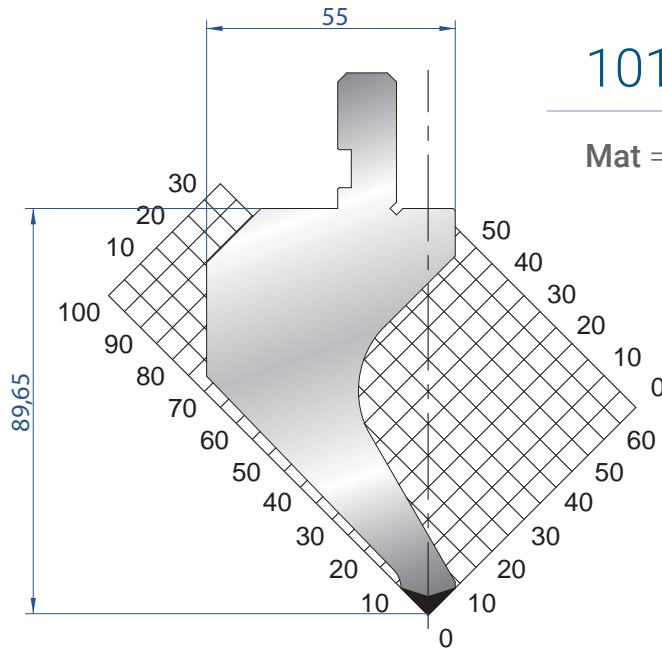
835 mm	12,0 kg
415 mm	6,0 kg
805 mm	12,0 kg
FRAZ. / SECT.	

1019



Mat = 42CrMo4
 bonificato / tempered
 H = 84.15
 Max T/m = 20
 $\alpha = 90^\circ$
 R = 0.6

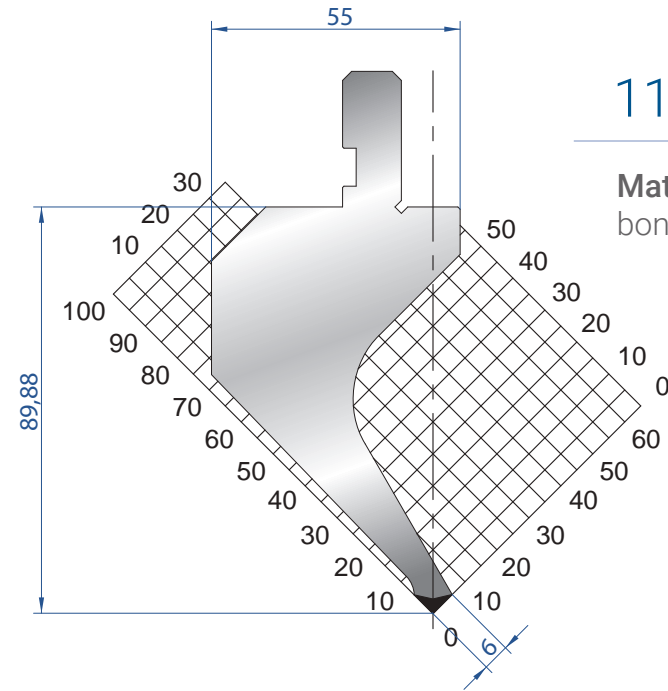
835 mm	14,0 kg
415 mm	7,0 kg
805 mm	14,0 kg
FRAZ. / SECT.	



1013

Mat = C45
H = 89.65
Max T/m = 60
 $\alpha = 90^\circ$
R = 0.8

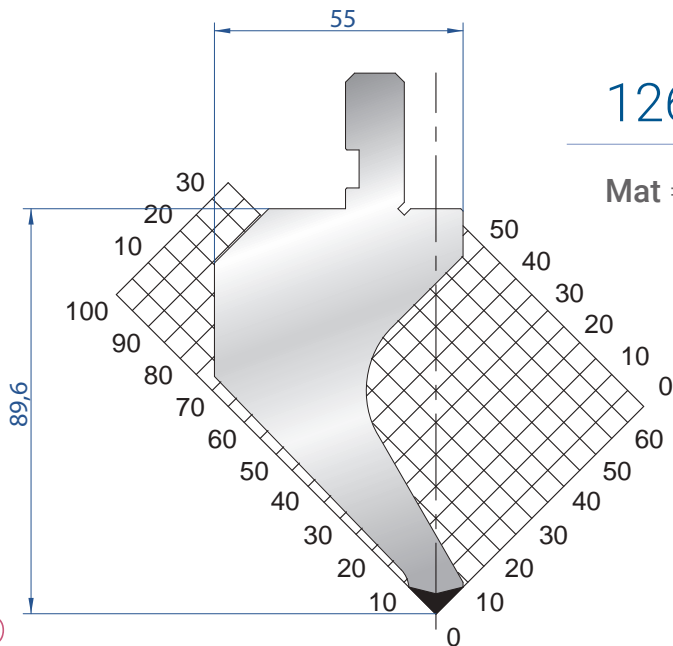
835 mm	21,0 kg
415 mm	10,5 kg
805 mm	21,0 kg
FRAZ. / SECT.	



1176

Mat = C45
bonificato / tempered
H = 89.88
Max T/m = 50
 $\alpha = 90^\circ$
R = 0.25

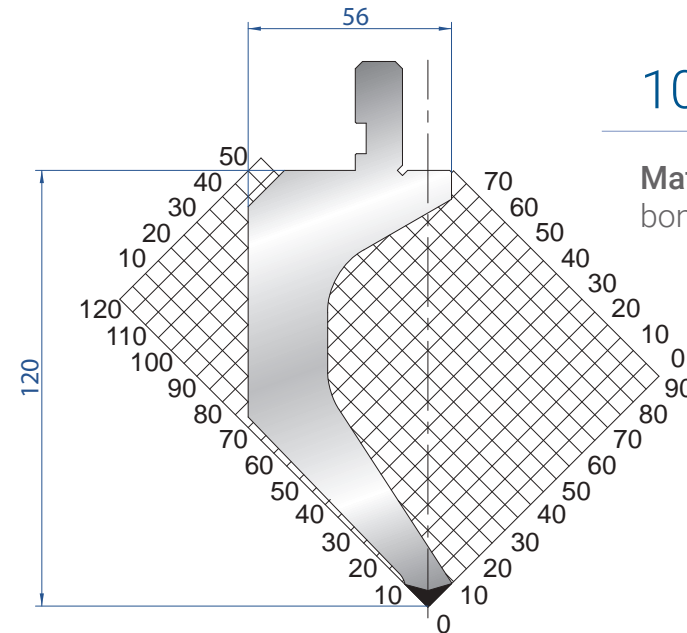
835 mm	21,0 kg
415 mm	10,0 kg
805 mm	21,0 kg
FRAZ. / SECT.	



1265

Mat = C45
H = 89.60
Max T/m = 60
 $\alpha = 90^\circ$
R = 0.25

835 mm	19,0 kg
415 mm	9,0 kg
805 mm	19,0 kg
FRAZ. / SECT.	

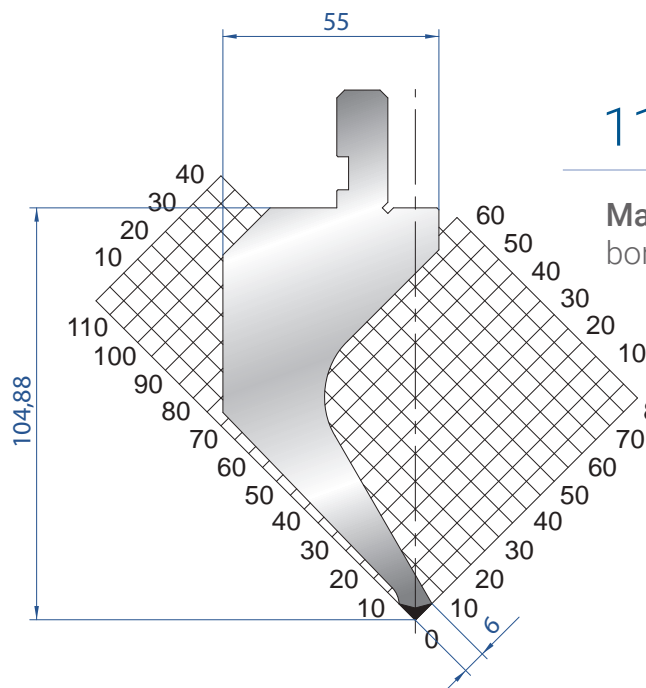


1060

Mat = C45
bonificato / tempered
H = 120.00
Max T/m = 50
 $\alpha = 90^\circ$
R = 0.8

835 mm	24,0 kg
415 mm	12,0 kg
805 mm	24,0 kg
FRAZ. / SECT.	

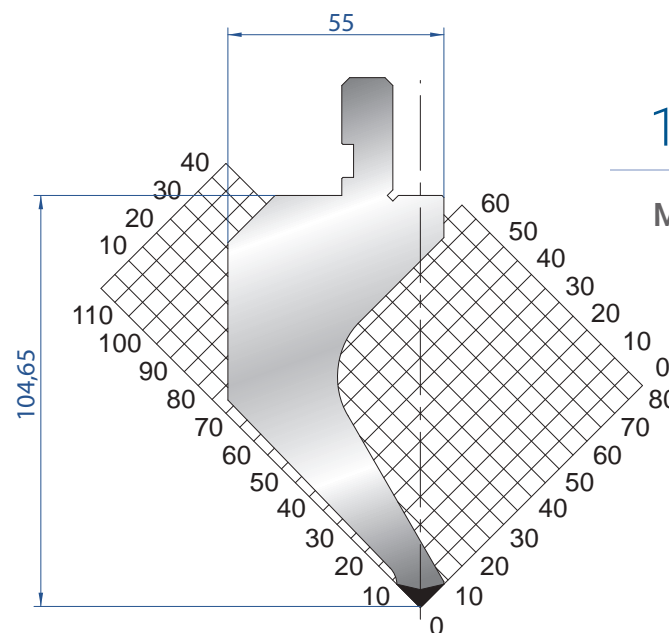




1174

Mat = C45
bonificato / tempered
H = 104.88
Max T/m = 50
 $\alpha = 90^\circ$
R = 0.25

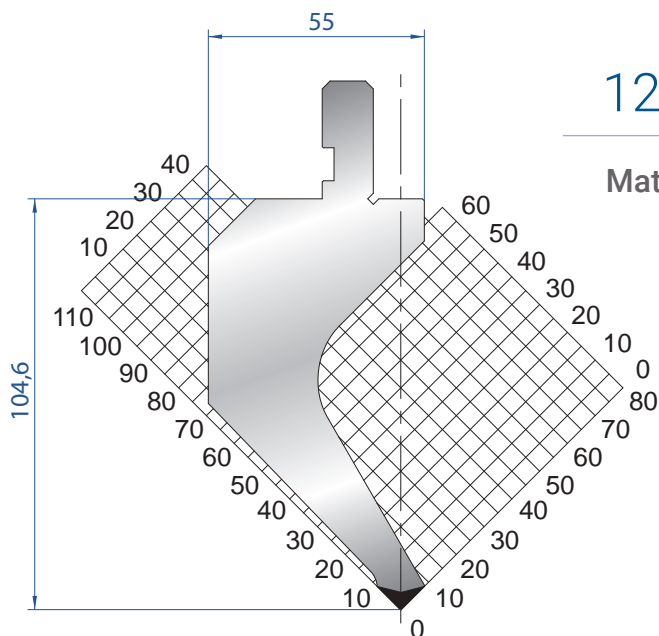
835 mm	23,0 kg
415 mm	11,0 kg
805 mm	23,0 kg
FRAZ. / SECT.	



1016

Mat = C45
H = 104.65
Max T/m = 50
 $\alpha = 90^\circ$
R = 0.8

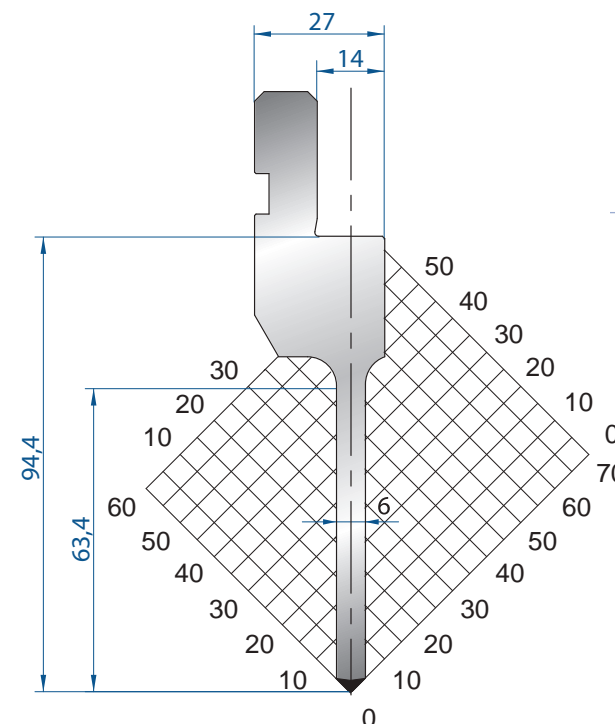
835 mm	23,0 kg
415 mm	11,0 kg
805 mm	23,0 kg
FRAZ. / SECT.	



1267

Mat = C45
H = 104.60
Max T/m = 50
 $\alpha = 90^\circ$
R = 0.25

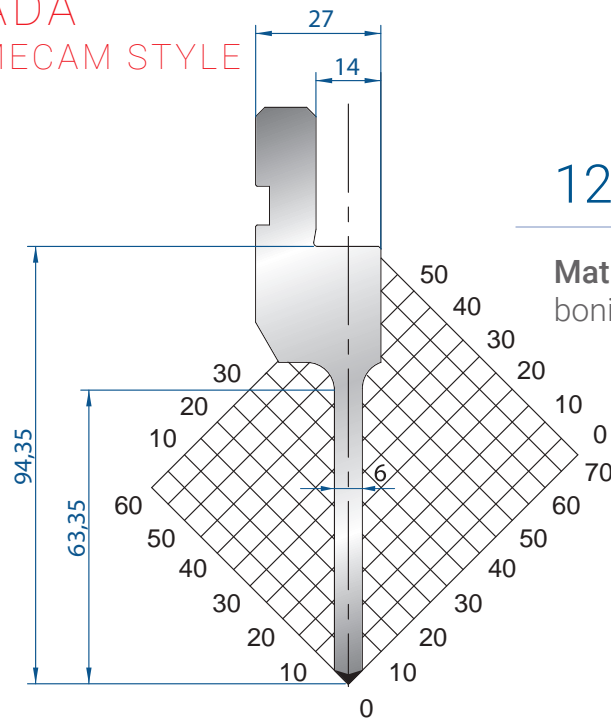
835 mm	23,0 kg
415 mm	11,0 kg
805 mm	23,0 kg
FRAZ. / SECT.	



1083

Mat = C45
bonificato / tempered
H = 94.40
Max T/m = 50
 $\alpha = 90^\circ$
R = 0.6

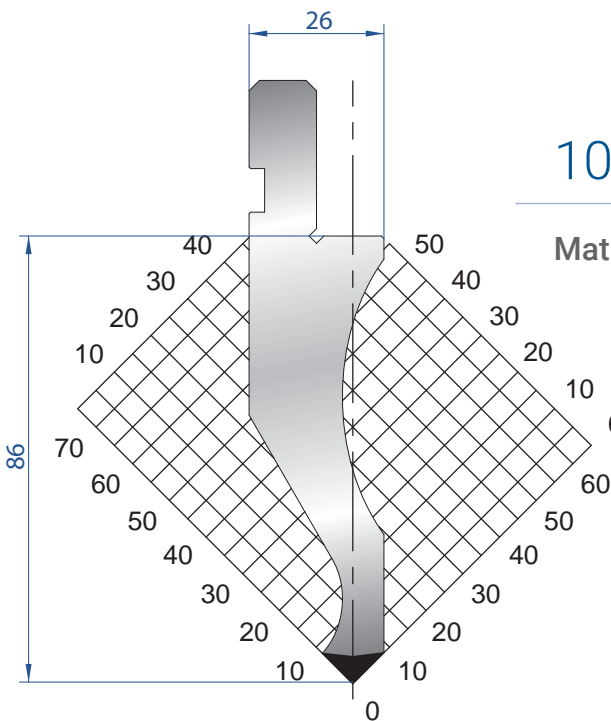
835 mm	8,0 kg
415 mm	4,0 kg
805 mm	8,0 kg
FRAZ. / SECT.	



1269

Mat = C45
bonificato / tempered
H = 94.35
Max T/m = 50
 $\alpha = 90^\circ$
R = 0.25

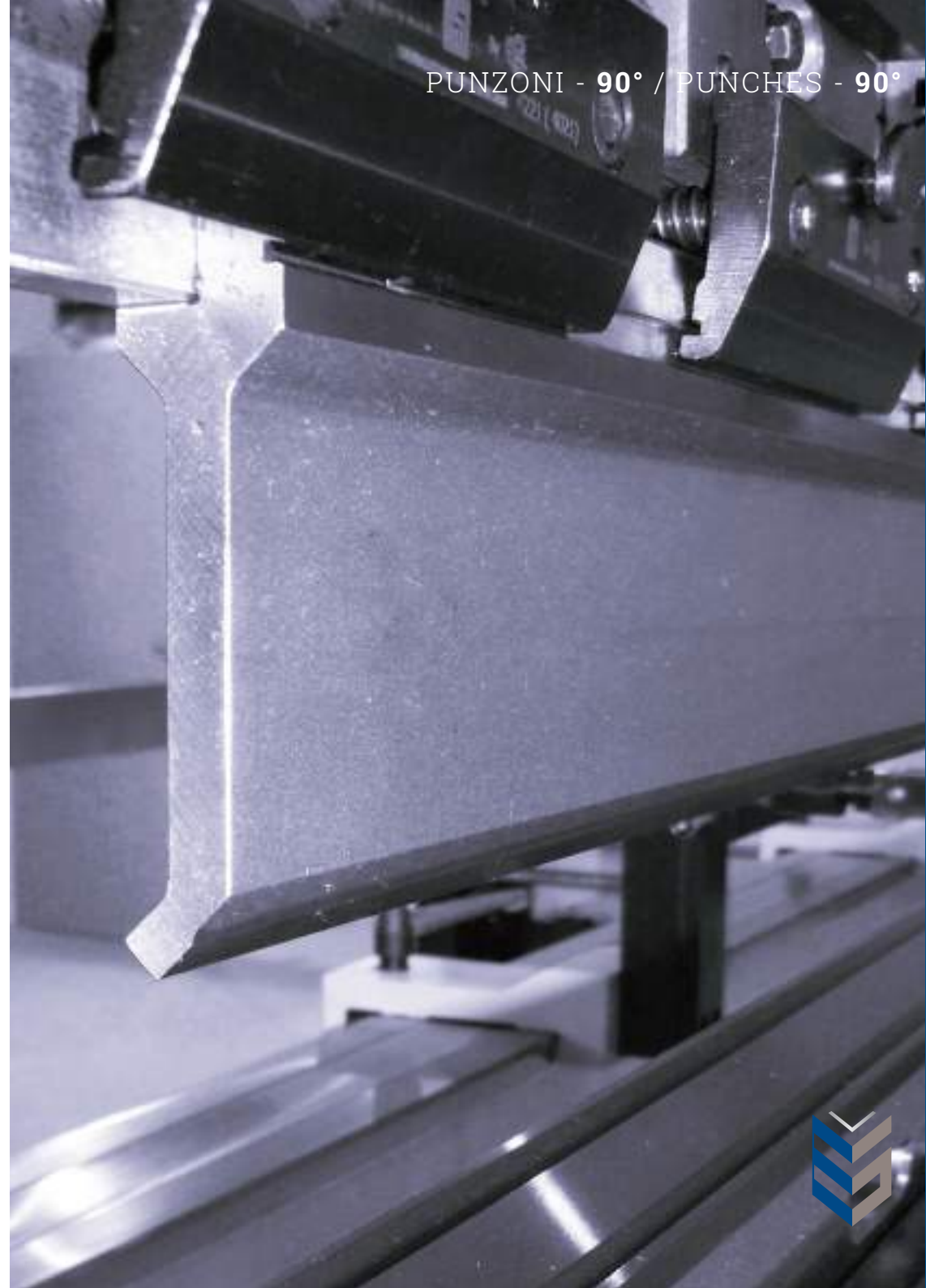
835 mm	8,0k g
415 mm	4,0k g
805 mm FRAZ. / SECT.	8,0k g

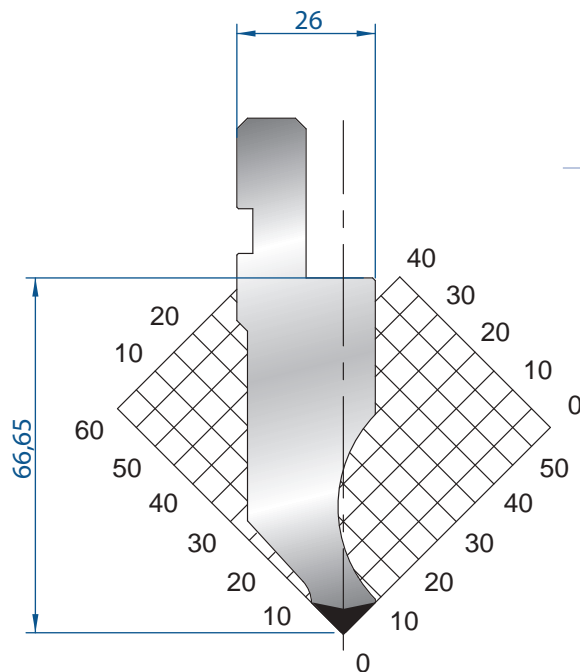


1021

Mat = C45
H = 86.00
Max T/m = 100
 $\alpha = 90^\circ$
R = 0.8

835 mm	13,0 kg
415 mm	6,0k g
805 mm FRAZ. / SECT.	13,0 kg

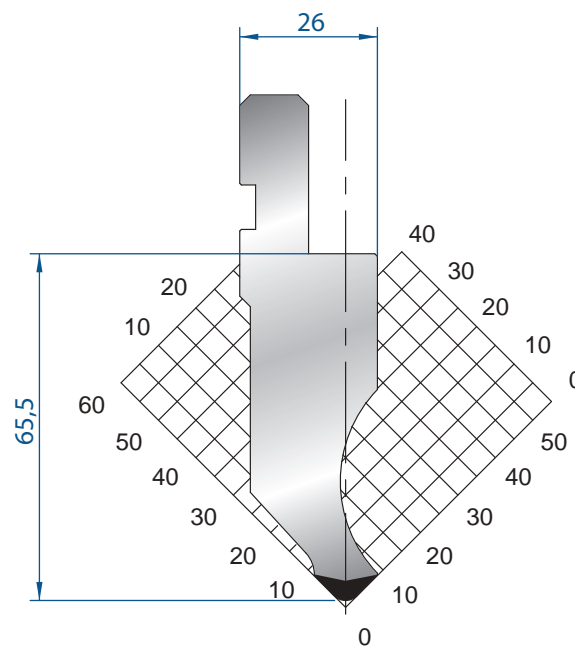




1011

Mat = C45
 H = 66.65
 Max T/m = 100
 $\alpha = 88^\circ$
 R = 0.8

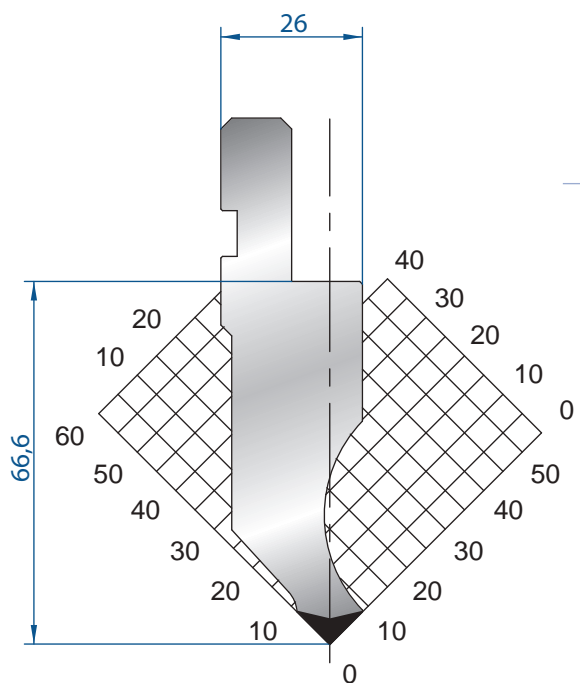
835 mm	11,0 kg
415 mm	5,0 kg
805 mm	11,0 kg
FRAZ. / SECT.	



1012

Mat = C45
 H = 65.50
 Max T/m = 100
 $\alpha = 88^\circ$
 R = 3

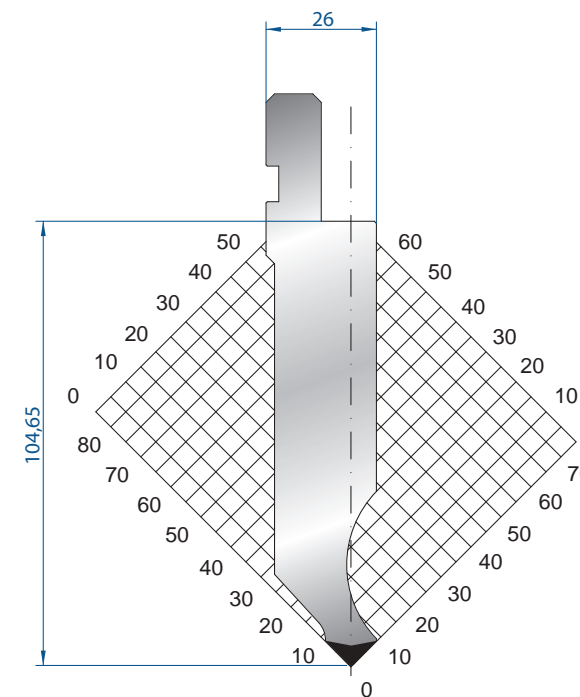
835 mm	11,0 kg
415 mm	4,5 kg
805 mm	11,0 kg
FRAZ. / SECT.	



1065

Mat = C45
 H = 66.60
 Max T/m = 100
 $\alpha = 88^\circ$
 R = 0.25

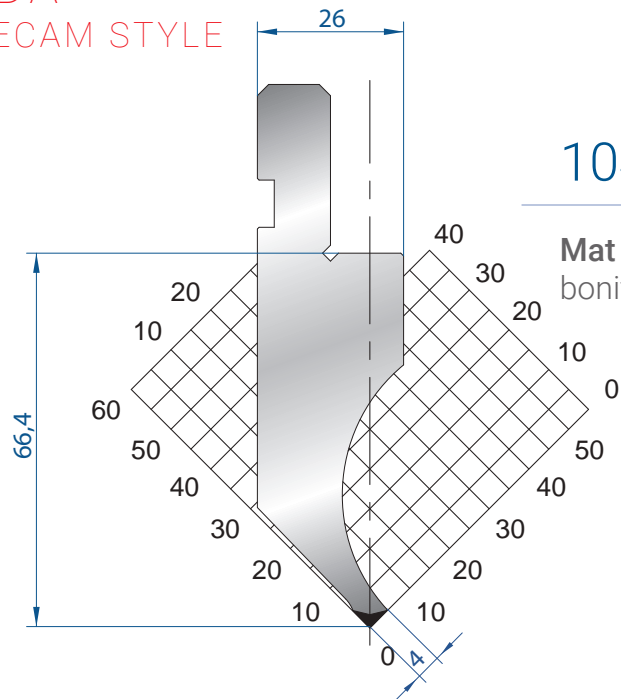
835 mm	11,0 kg
415 mm	5,0 kg
805 mm	11,0 kg
FRAZ. / SECT.	



1063

Mat = C45
 H = 104.65
 Max T/m = 100
 $\alpha = 88^\circ$
 R = 0.8

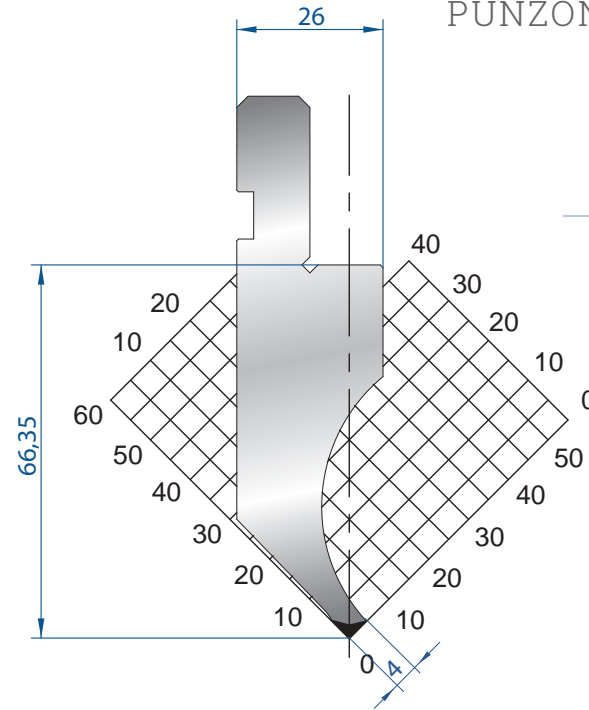
835 mm	17,0 kg
415 mm	9,0 kg
805 mm	17,0 kg
FRAZ. / SECT.	



1049

Mat = C45
bonificato / tempered
H = 66.40
Max T/m = 35
 $\alpha = 88^\circ$
R = 0.6

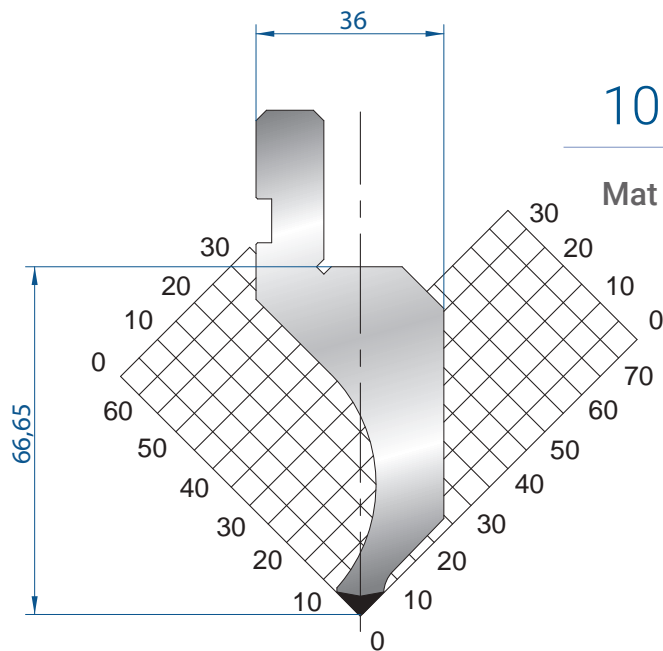
835 mm	10,0 kg
415 mm	5,0 kg
805 mm	10,0 kg
FRAZ. / SECT.	



1264

Mat = C45
bonificato / tempered
H = 66.35
Max T/m = 35
 $\alpha = 88^\circ$
R = 0.25

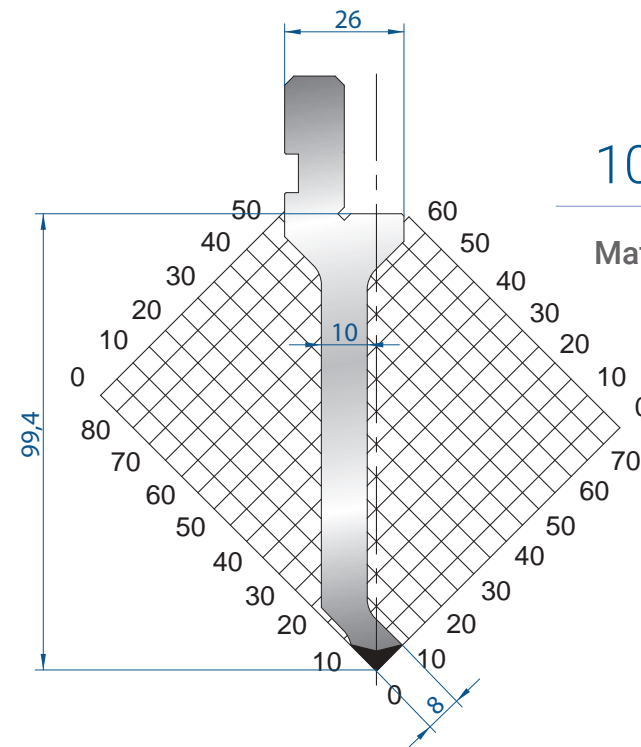
835 mm	11,0 kg
415 mm	5,0 kg
805 mm	11,0 kg
FRAZ. / SECT.	



1081

Mat = C45
H = 66.65
Max T/m = 60
 $\alpha = 88^\circ$
R = 0.8

835 mm	12,0 kg
415 mm	6,0 kg
805 mm	12,0 kg
FRAZ. / SECT.	



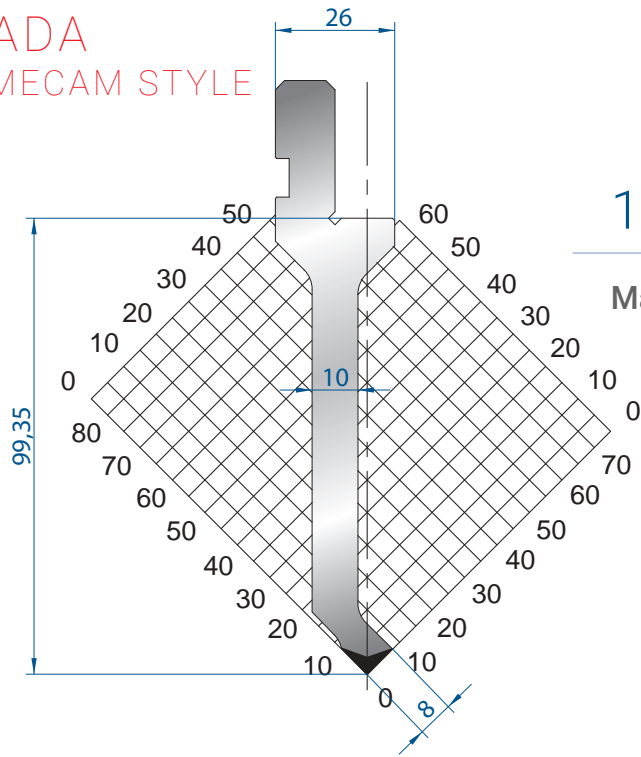
1029

Mat = C45
H = 99.40
Max T/m = 50
 $\alpha = 88^\circ$
R = 0.6

835 mm	10,0 kg
415 mm	5,0 kg
805 mm	10,0 kg
FRAZ. / SECT.	



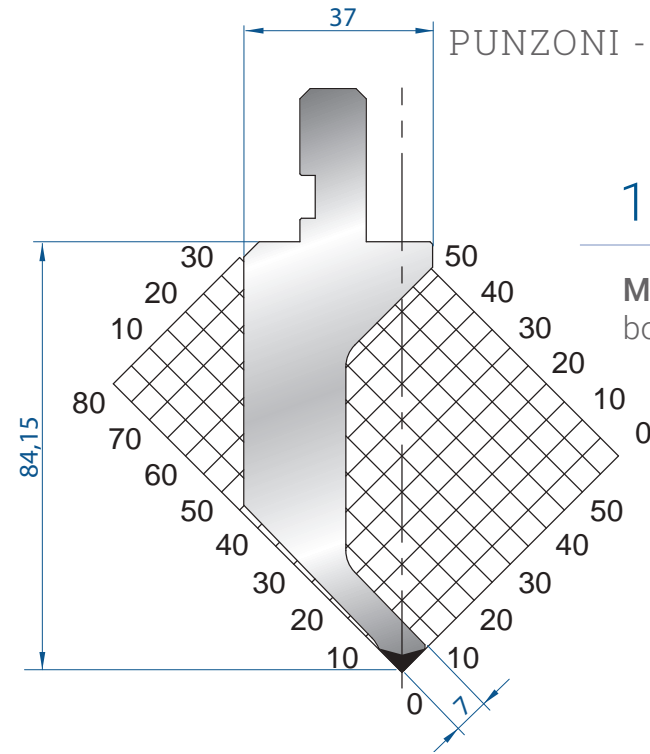




1262

Mat = C45
H = 99.35
Max T/m = 50
 $\alpha = 88^\circ$
R = 0.25

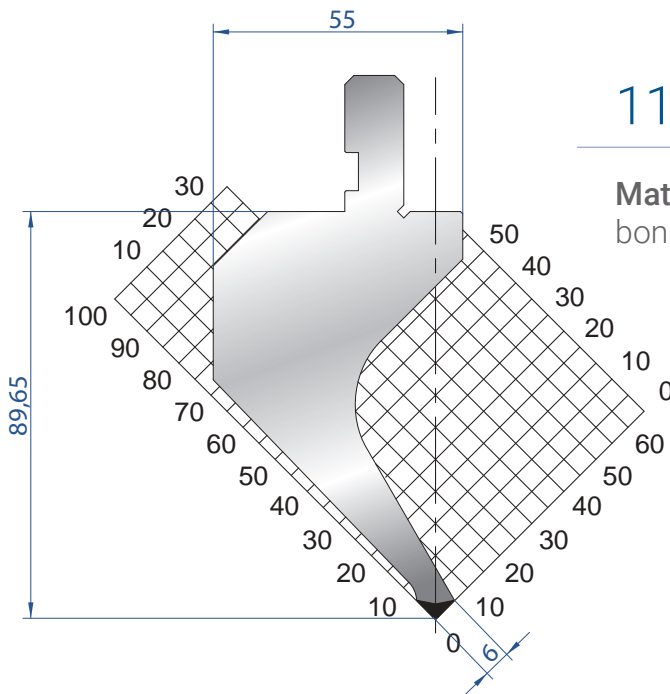
835 mm	9,0 kg
415 mm	4,0 kg
805 mm	9,0 kg
FRAZ. / SECT.	



1020

Mat = 42CrMo4
bonificato / tempered
H = 84.15
Max T/m = 20
 $\alpha = 88^\circ$
R = 0.6

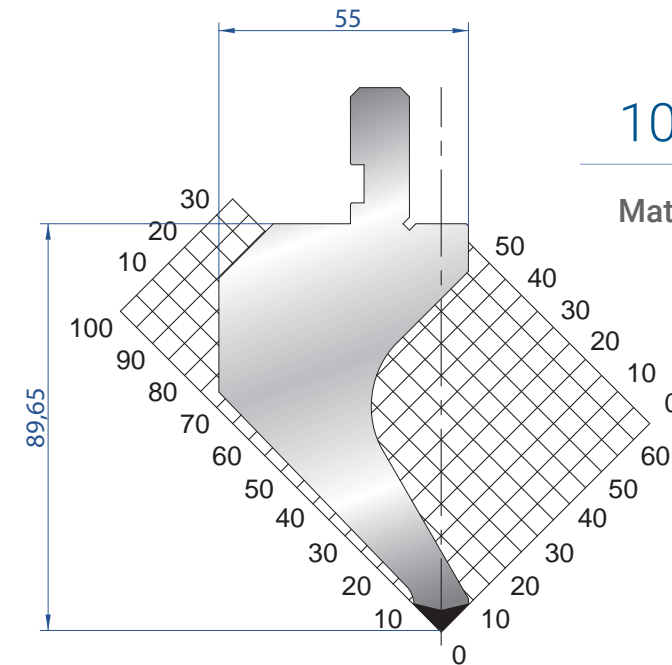
835 mm	14,0 kg
415 mm	7,0 kg
805 mm	14,0 kg
FRAZ. / SECT.	



1175

Mat = C45
bonificato / tempered
H = 89.65
Max T/m = 50
 $\alpha = 88^\circ$
R = 0.8

835 mm	21,0 kg
415 mm	10,0 kg
805 mm	21,0 kg
FRAZ. / SECT.	

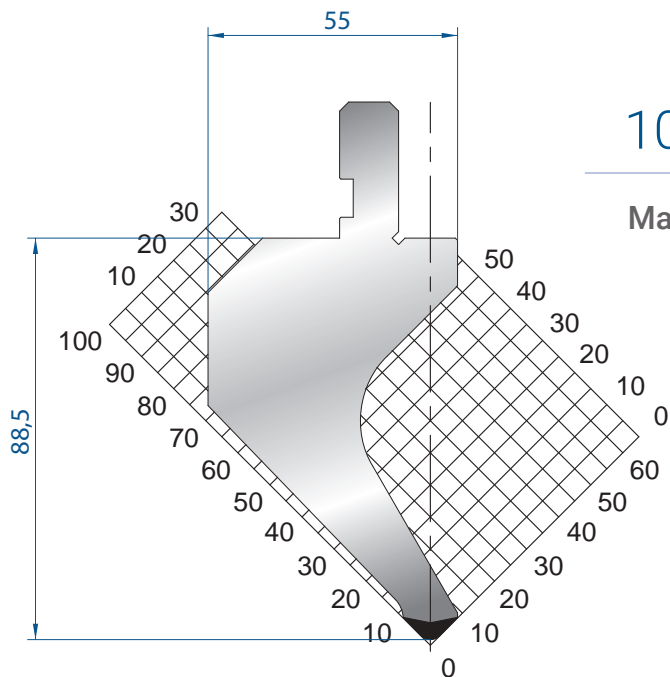


1014

Mat = C45
H = 89.65
Max T/m = 60
 $\alpha = 88^\circ$
R = 0.8

835 mm	21,0 kg
415 mm	10,5 kg
805 mm	21,0 kg
FRAZ. / SECT.	

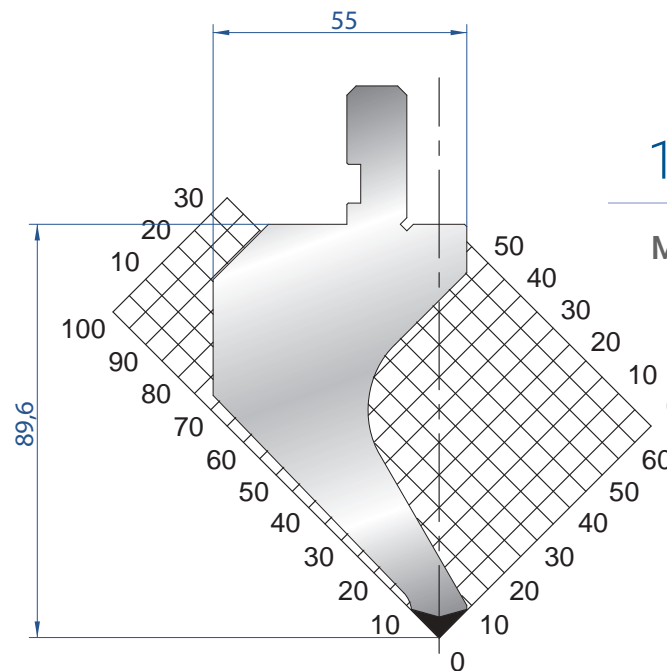




1015

Mat = C45
H = 88.50
Max T/m = 60
 $\alpha = 88^\circ$
R = 3

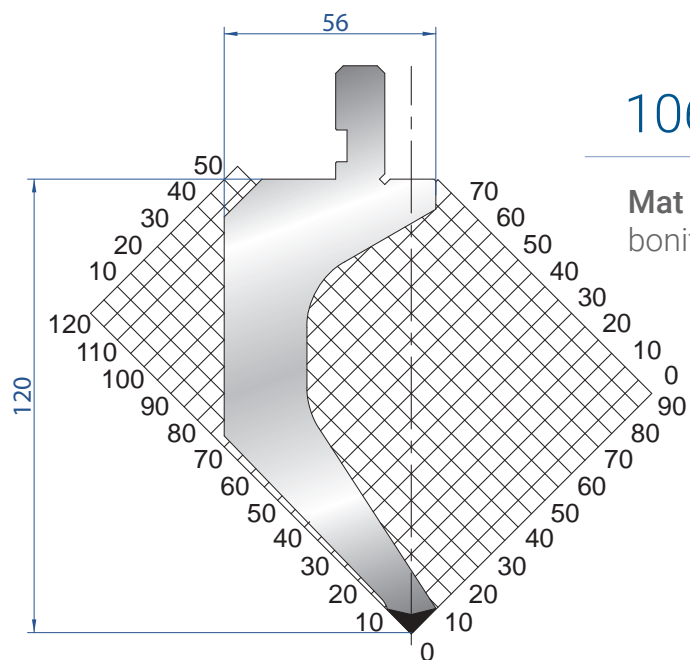
835 mm	21,0 kg
415 mm	10,5 kg
805 mm	21,0 kg
FRAZ. / SECT.	



1266

Mat = C45
H = 89.60
Max T/m = 60
 $\alpha = 88^\circ$
R = 0.25

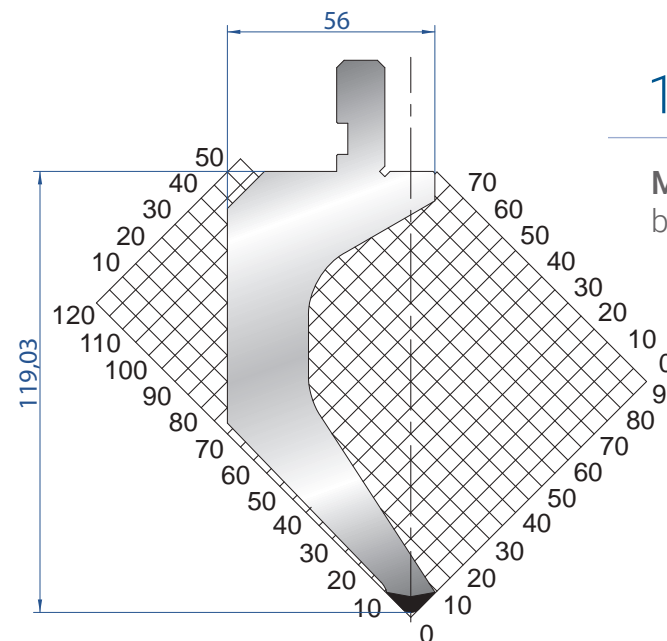
835 mm	21,0 kg
415 mm	10,0 kg
805 mm	21,0 kg
FRAZ. / SECT.	



1061

Mat = C45
bonificato / tempered
H = 120.00
Max T/m = 50
 $\alpha = 88^\circ$
R = 0.8

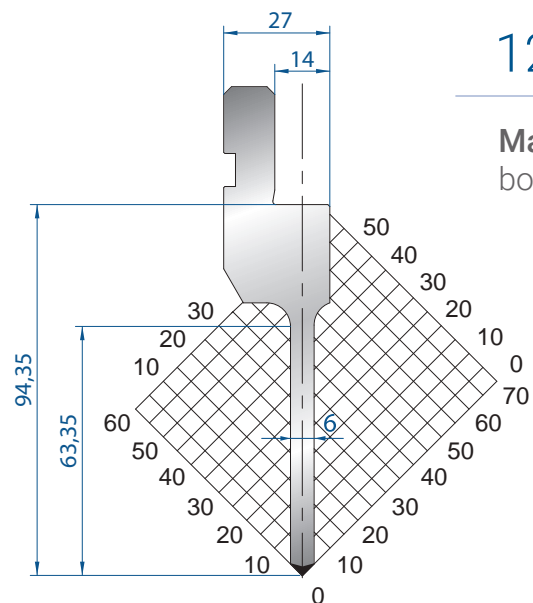
835 mm	24,0 kg
415 mm	12,0 kg
805 mm	24,0 kg
FRAZ. / SECT.	



1062

Mat = C45
bonificato / tempered
H = 119.03
Max T/m = 50
 $\alpha = 88^\circ$
R = 3

835 mm	24,0 kg
415 mm	12,0 kg
805 mm	24,0 kg
FRAZ. / SECT.	

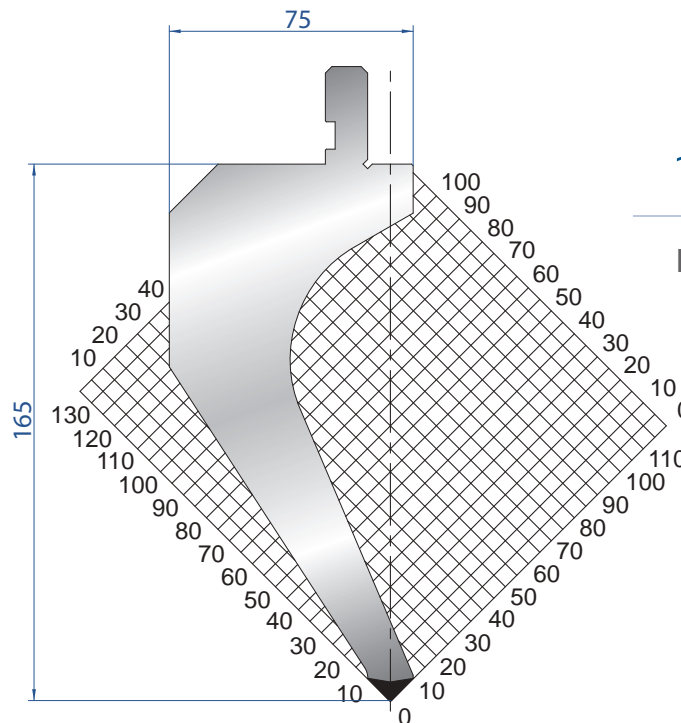


1270

Mat = C45
bonificato / tempered

H = 94.35
Max T/m = 50
 $\alpha = 88^\circ$
R = 0.25

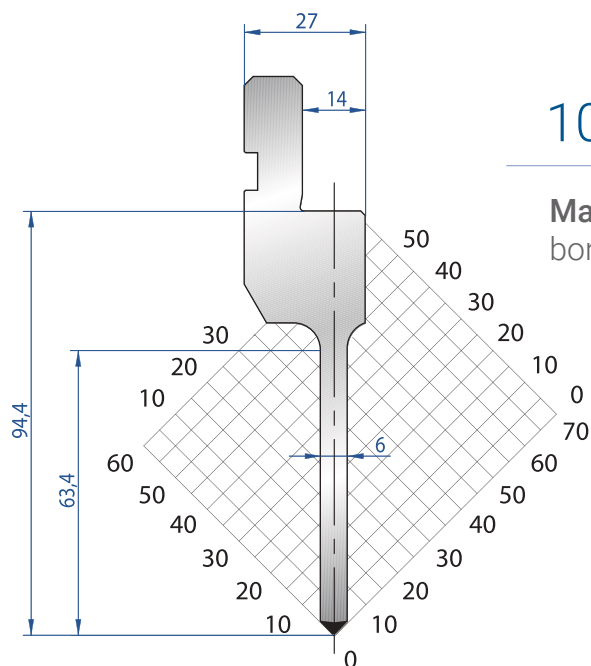
835 mm	8,0 kg
415 mm	4,0 kg
805 mm	8,0 kg
FRAZ. / SECT.	



1031

Mat = C45
H = 104.65
Max T/m = 45
 $\alpha = 88^\circ$
R = 0.8

835 mm	41,0 kg
415 mm	20,0 kg
805 mm	41,0 kg
FRAZ. / SECT.	

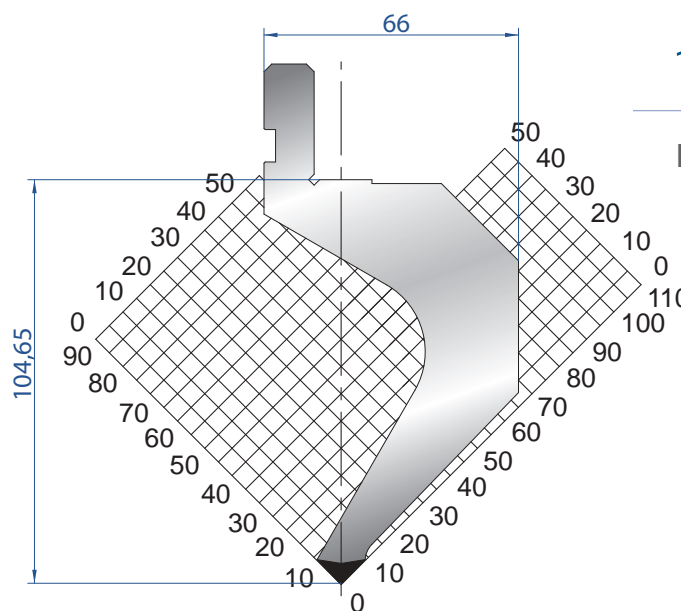


1084

Mat = C45
bonificato / tempered

H = 94.40
Max T/m = 50
 $\alpha = 88^\circ$
R = 0.6

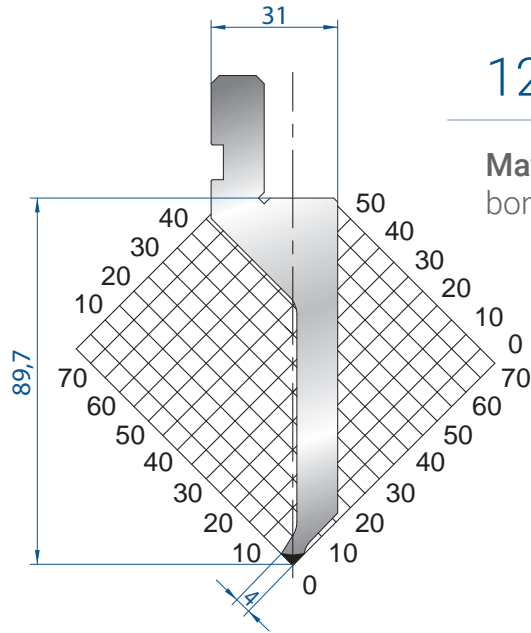
835 mm	8,0 kg
415 mm	4,0 kg
805 mm	8,0 kg
FRAZ. / SECT.	



1082

Mat = C45
H = 104.65
Max T/m = 45
 $\alpha = 88^\circ$
R = 0.8

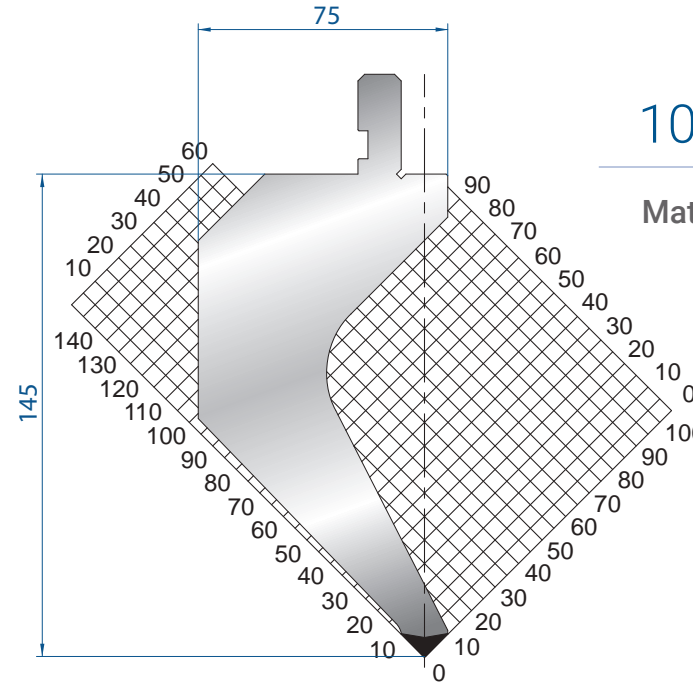
835 mm	25,0 kg
415 mm	12,0 kg
805 mm	25,0 kg
FRAZ. / SECT.	



1290

Mat = C45
bonificato / tempered
H = 89.70
Max T/m = 30
 $\alpha = 88^\circ$
R = 0.6

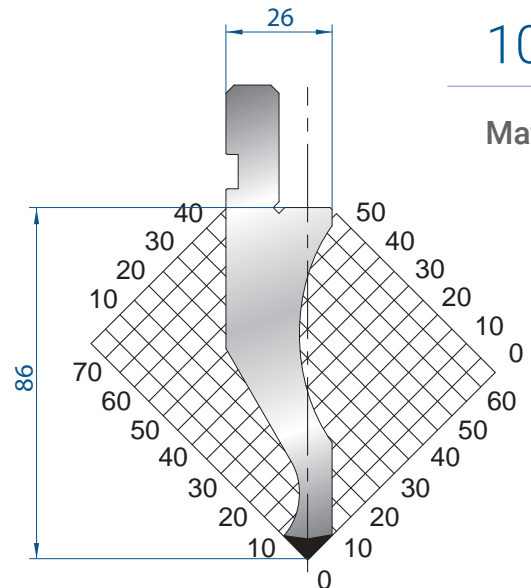
835 mm	10,0 kg
415 mm	5,0 kg
805 mm	10,0 kg
FRAZ. / SECT.	



1030

Mat = C45
H = 145.00
Max T/m = 80
 $\alpha = 88^\circ$
R = 0.8

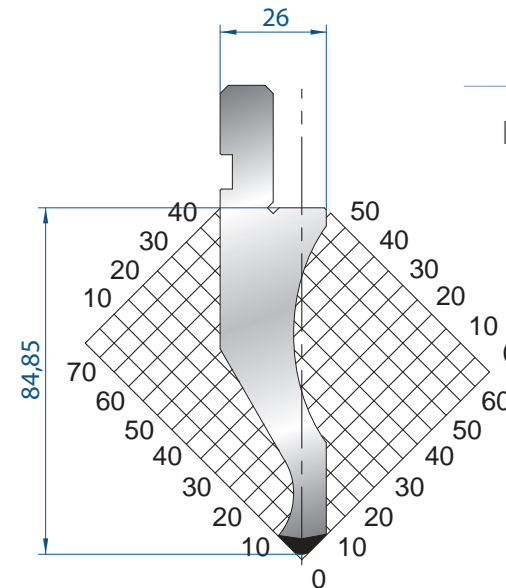
835 mm	39,0 kg
415 mm	19,0 kg
805 mm	39,0 kg
FRAZ. / SECT.	



1022

Mat = C45
H = 86.00
Max T/m = 100
 $\alpha = 88^\circ$
R = 0.8

835 mm	13,0 kg
415 mm	6,0 kg
805 mm	13,0 kg
FRAZ. / SECT.	



1023

Mat = C45
H = 84.85
Max T/m = 100
 $\alpha = 88^\circ$
R = 3

835 mm	13,0 kg
415 mm	6,0 kg
805 mm	13,0 kg
FRAZ. / SECT.	



1291

Mat = C45
bonificato / tempered

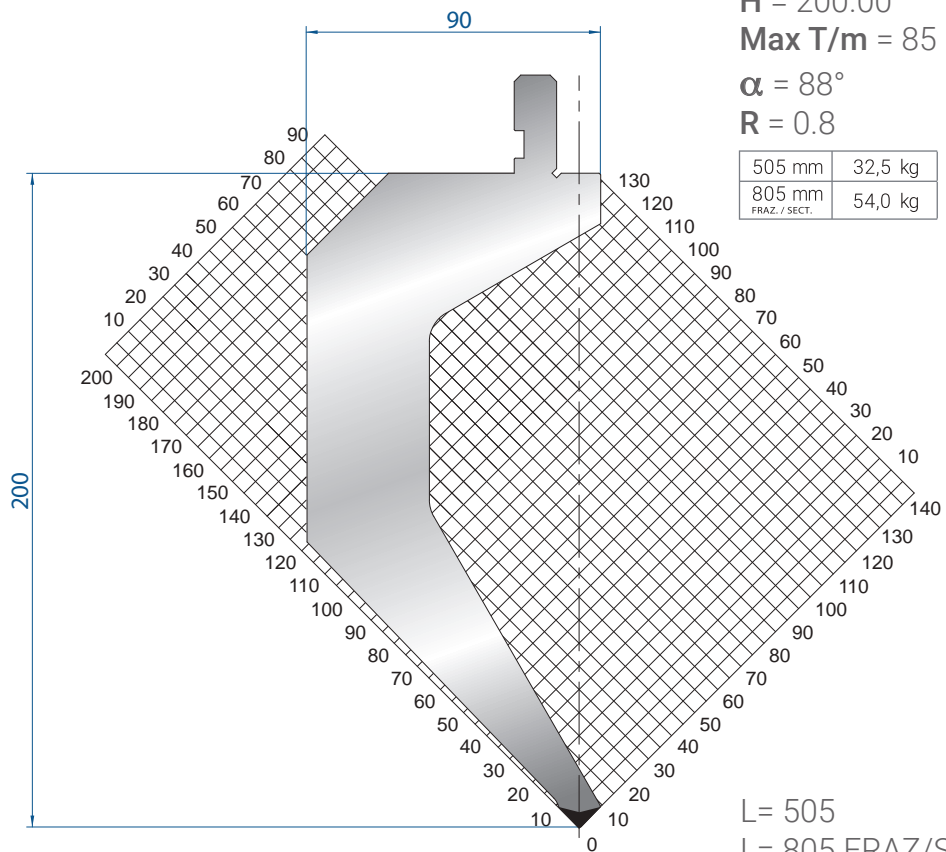
H = 200.00

Max T/m = 85

$\alpha = 88^\circ$

R = 0.8

505 mm	32,5 kg
805 mm	54,0 kg
FRAZ. / SECT.	



L = 505
L = 805 FRAZ/SECT

1301

Mat = C45
bonificato / tempered

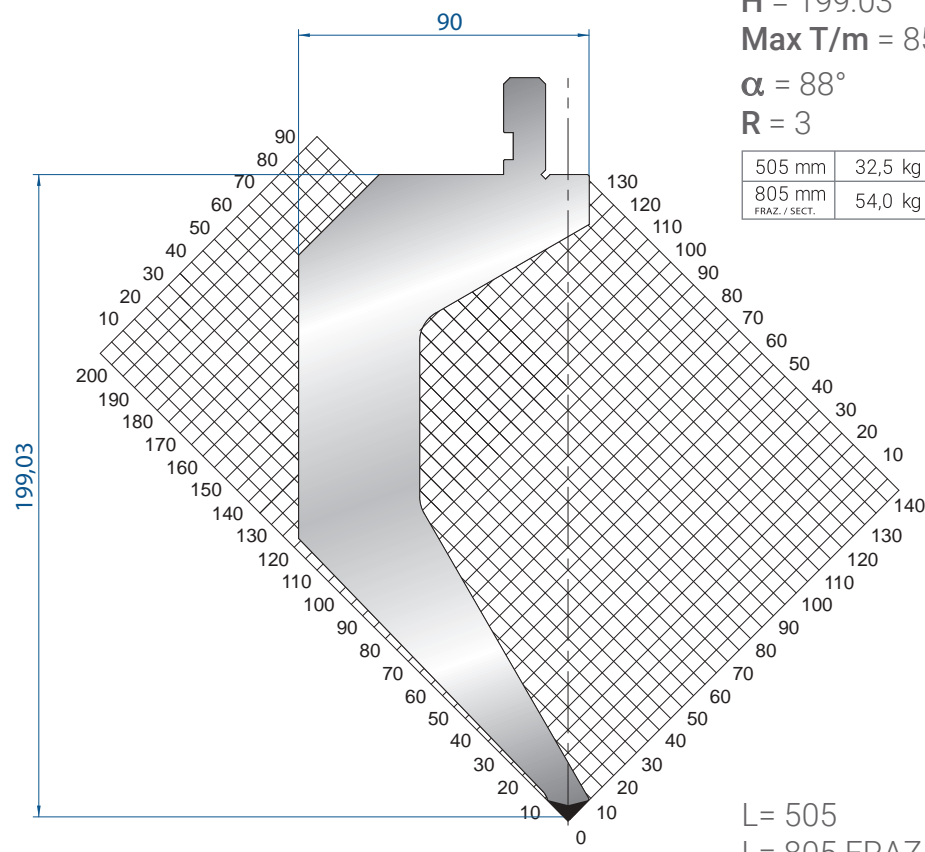
H = 199.03

Max T/m = 85

$\alpha = 88^\circ$

R = 3

505 mm	32,5 kg
805 mm	54,0 kg
FRAZ. / SECT.	

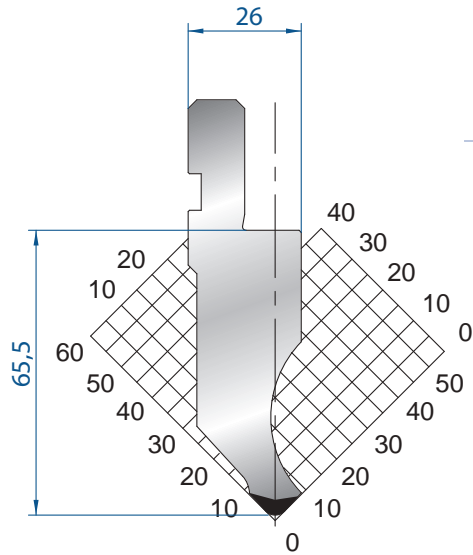


L = 505
L = 805 FRAZ/SECT

AMADA
PROMECAM STYLE



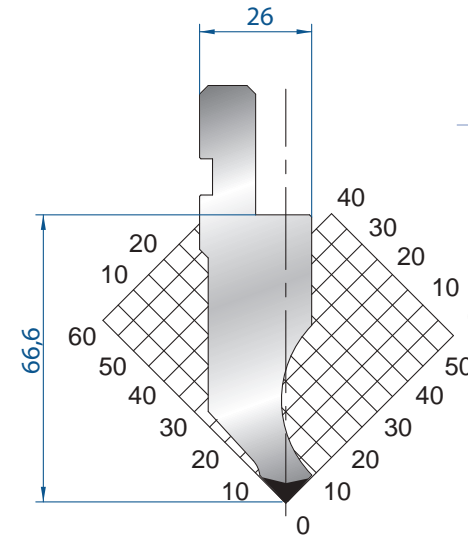
AMADA
PROMECAM STYLE



1177

Mat = C45
H = 65.50
Max T/m = 100
 $\alpha = 85^\circ$
R = 3

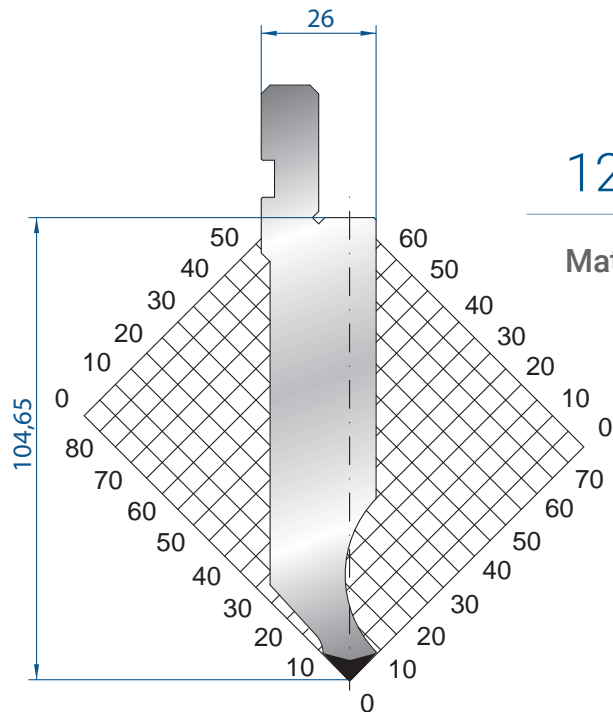
835 mm	11,0 kg
415 mm	5,0 kg
805 mm	11,0 kg
FRAZ. / SECT.	



1260

Mat = C45
H = 66.60
Max T/m = 100
 $\alpha = 85^\circ$
R = 0.8

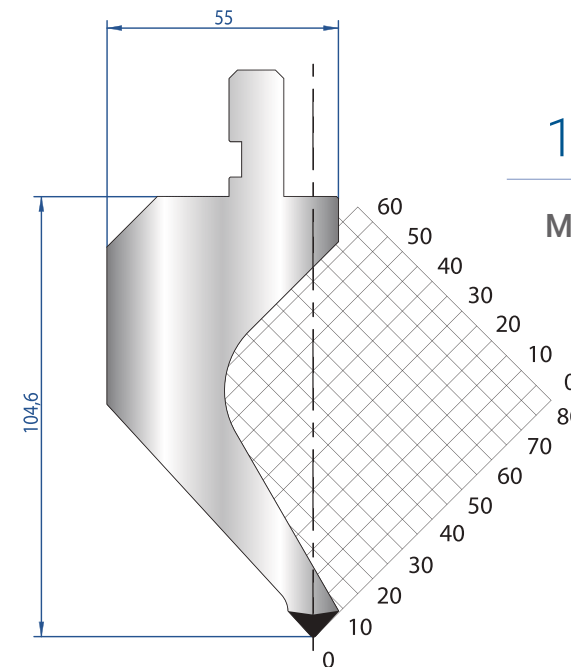
835 mm	11,0 kg
415 mm	5,0 kg
805 mm	11,0 kg
FRAZ. / SECT.	



1281

Mat = C45
H = 104.65
Max T/m = 100
 $\alpha = 85^\circ$
R = 0.8

835 mm	17,0 kg
415 mm	9,0 kg
805 mm	17,0 kg
FRAZ. / SECT.	

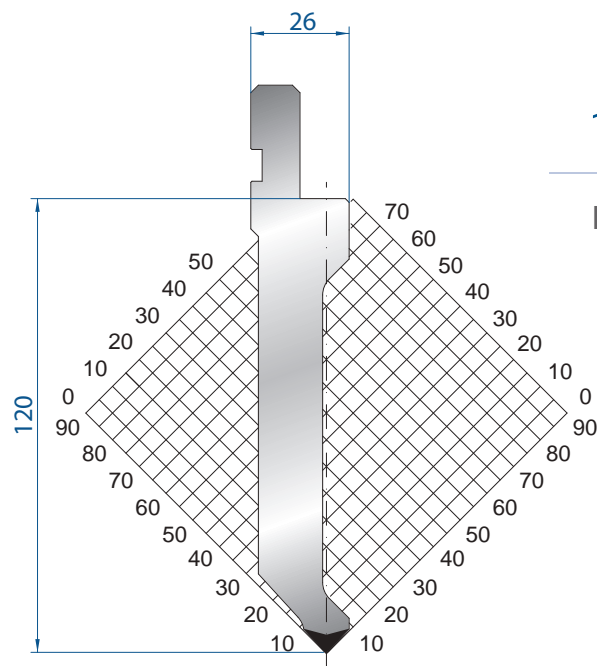


1172

Mat = C45
H = 104.60
Max T/m = 50
 $\alpha = 85^\circ$
R = 0.8

835 mm	23,0 kg
415 mm	11,0 kg
805 mm	23,0 kg
FRAZ. / SECT.	

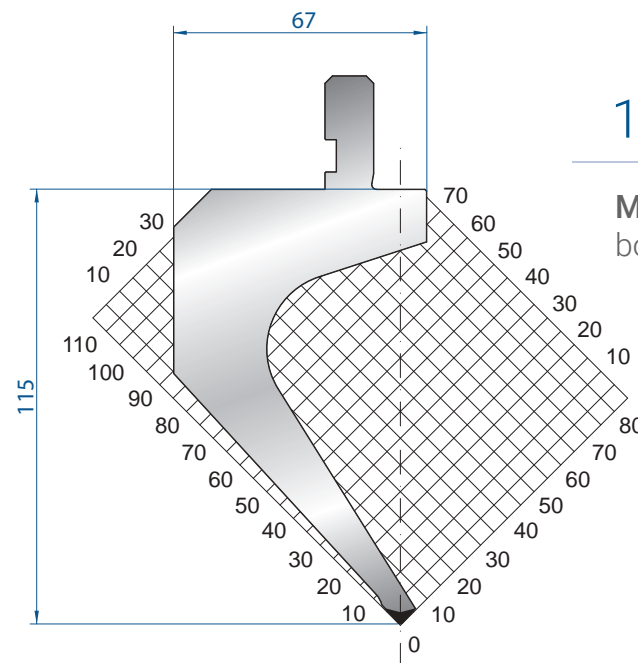




1309

Mat = C45
H = 120.00
Max T/m = 70
 $\alpha = 85^\circ$
R = 0.8

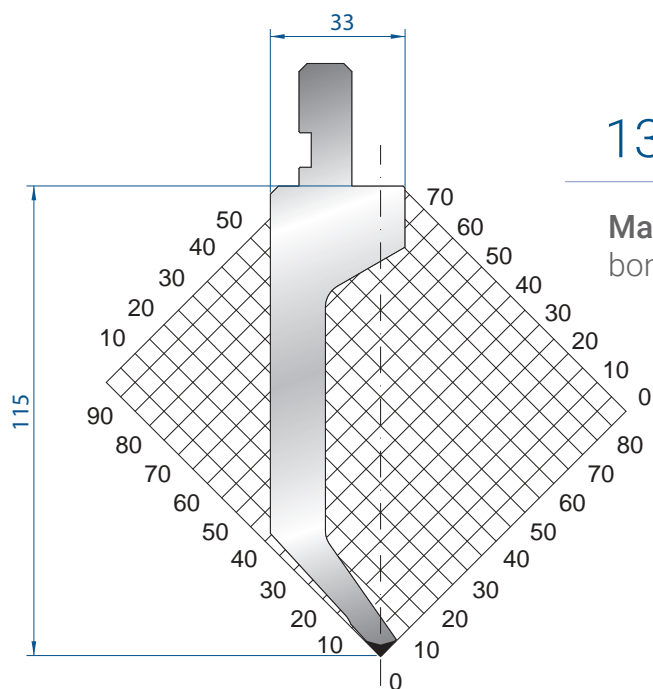
835 mm	15,9 kg
415 mm	8,0 kg
805 mm	15,9 kg
FRAZ. / SECT.	



1310

Mat = 42CrMo4
 bonificato / tempered
H = 115.00
Max T/m = 35
 $\alpha = 85^\circ$
R = 0.8

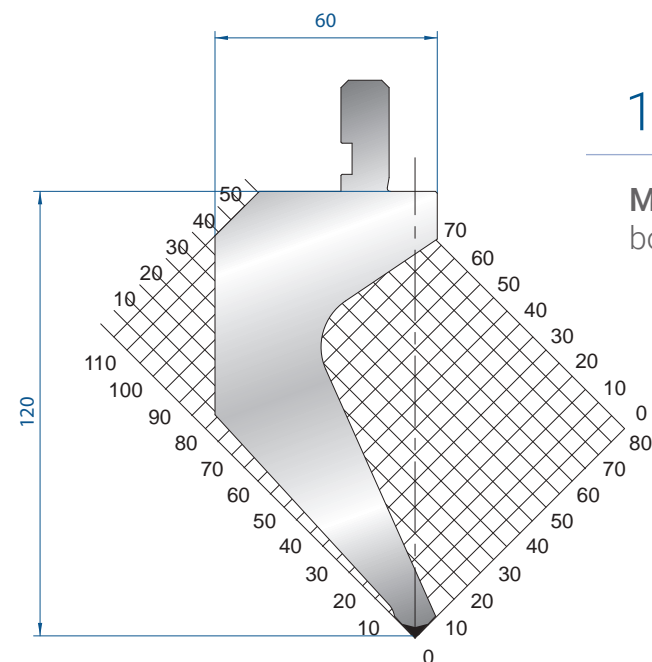
835 mm	23,0 kg
415 mm	11,5 kg
805 mm	23,0 kg
FRAZ. / SECT.	



1312

Mat = 42CrMo4
 bonificato / tempered
H = 115.00
Max T/m = 20
 $\alpha = 85^\circ$
R = 0.6

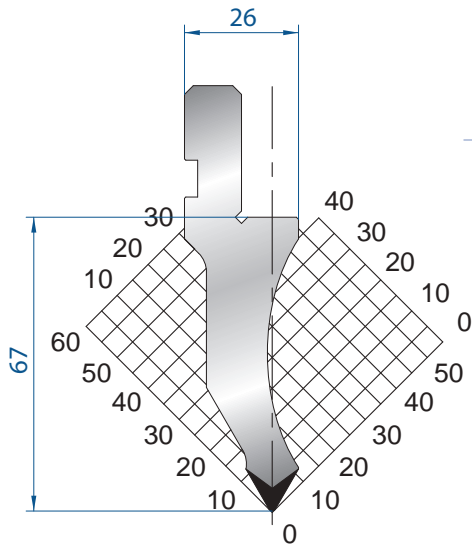
835 mm	14,5 kg
415 mm	7,2 kg
805 mm	14,5 kg
FRAZ. / SECT.	



1322

Mat = 42CrMo4
 bonificato / tempered
H = 120.00
Max T/m = 100
 $\alpha = 85^\circ$
R = 1.5

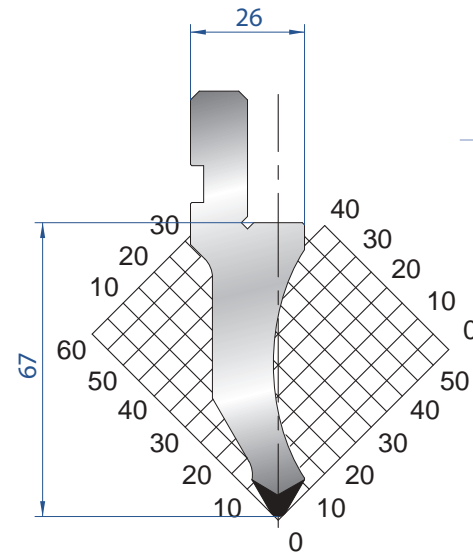
835 mm	26,7 kg
415 mm	13,3 kg
805 mm	26,7 kg
FRAZ. / SECT.	



1026

Mat = C45
H = 67.00
Max T/m = 80
 $\alpha = 60^\circ$
R = 0.8

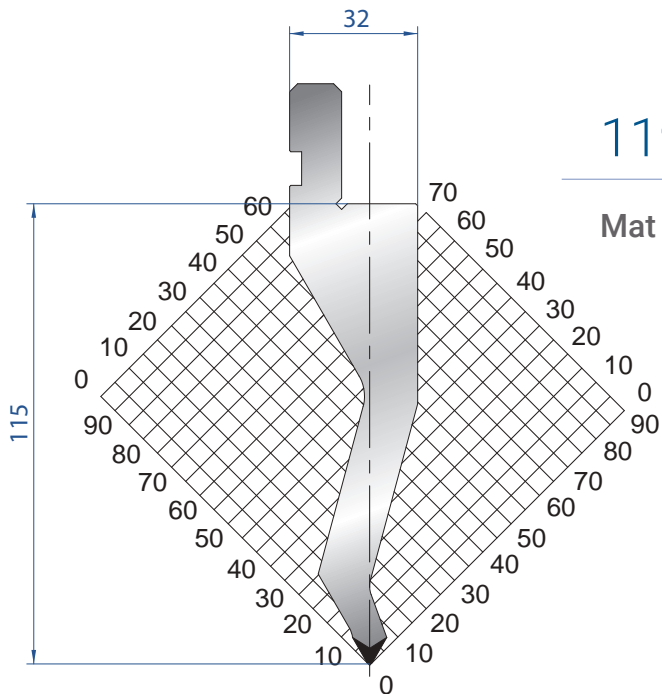
835 mm	9,0 kg
415 mm	4,0 kg
805 mm	9,0 kg
FRAZ. / SECT.	



1027

Mat = C45
H = 67.00
Max T/m = 80
 $\alpha = 60^\circ$
R = 2

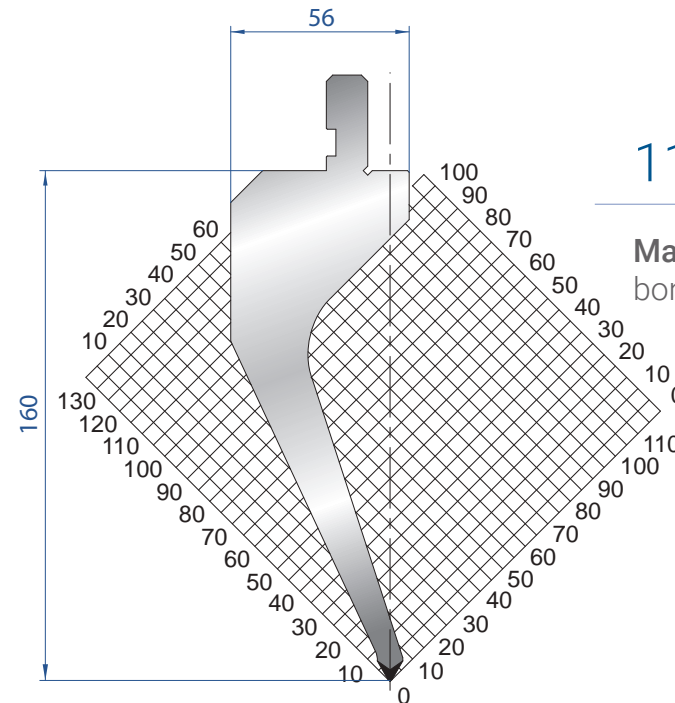
835 mm	9,0 kg
415 mm	4,0 kg
805 mm	9,0 kg
FRAZ. / SECT.	



1191

Mat = C45
H = 115.00
Max T/m = 60
 $\alpha = 60^\circ$
R = 0.8

835 mm	15,0 kg
415 mm	7,0 kg
805 mm	15,0 kg
FRAZ. / SECT.	

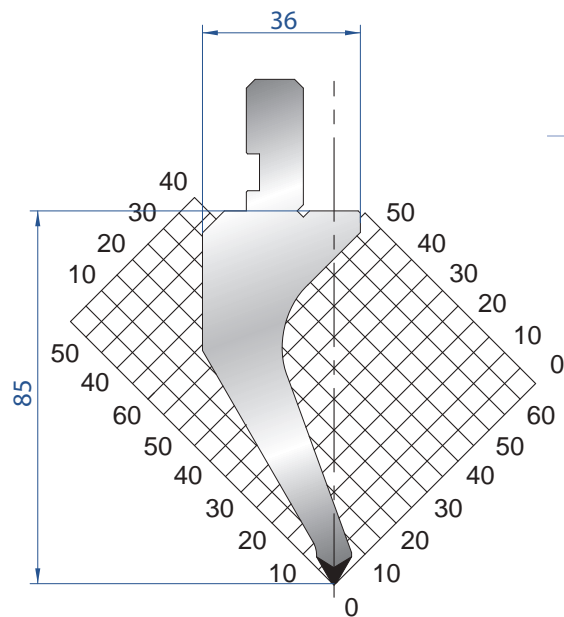


1190

Mat = C45
bonificato / tempered
H = 160.00
Max T/m = 40
 $\alpha = 60^\circ$
R = 0.8

835 mm	27,0 kg
415 mm	13,5 kg
805 mm	27,0 kg
FRAZ. / SECT.	



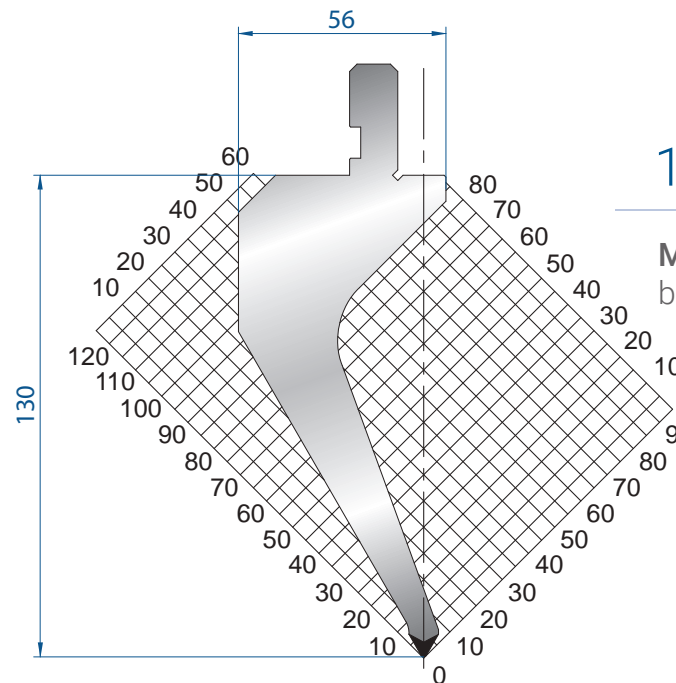


1162

Mat = 42CrMo4
bonificato / tempered

H = 85.00
Max T/m = 40
α = 60°
R = 0.8

835 mm	12,0 kg
415 mm	6,0 kg
805 mm	12,0 kg
FRAZ. / SECT.	

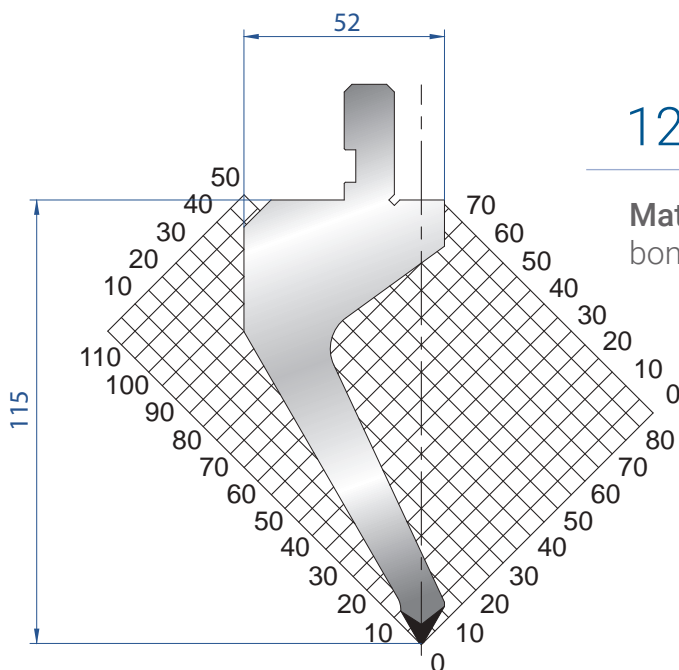


1163

Mat = C45
bonificato / tempered

H = 130.00
Max T/m = 40
α = 60°
R = 0.8

835 mm	23,0 kg
415 mm	11,0 kg
805 mm	23,0 kg
FRAZ. / SECT.	

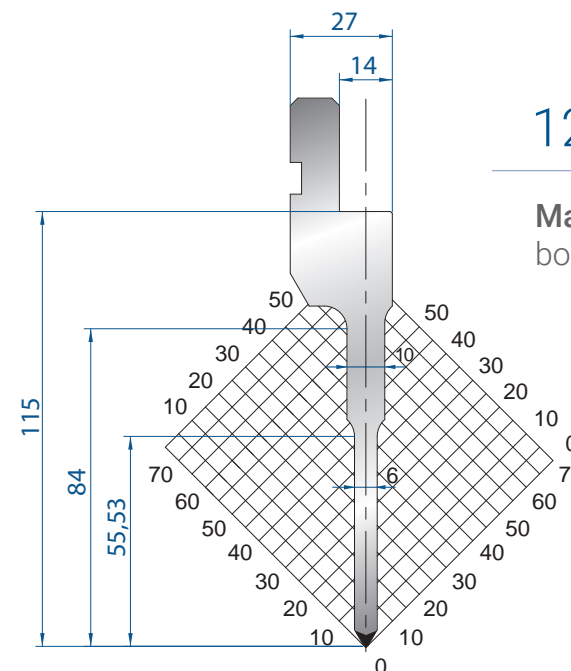


1272

Mat = C45
bonificato / tempered

H = 115.00
Max T/m = 40
α = 60°
R = 0.8

835 mm	20,0 kg
415 mm	10,0 kg
805 mm	20,0 kg
FRAZ. / SECT.	

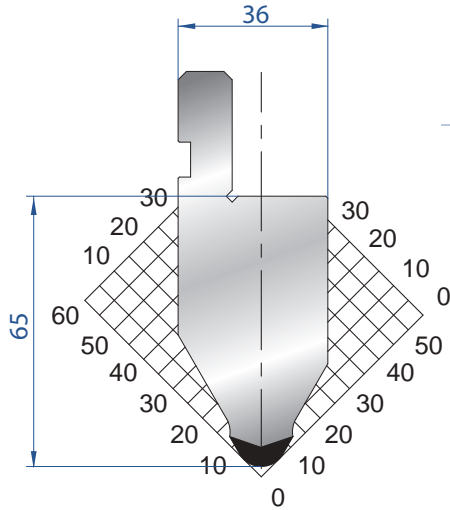


1271

Mat = C45
bonificato / tempered

H = 115.00
Max T/m = 50
α = 60°
R = 0.8

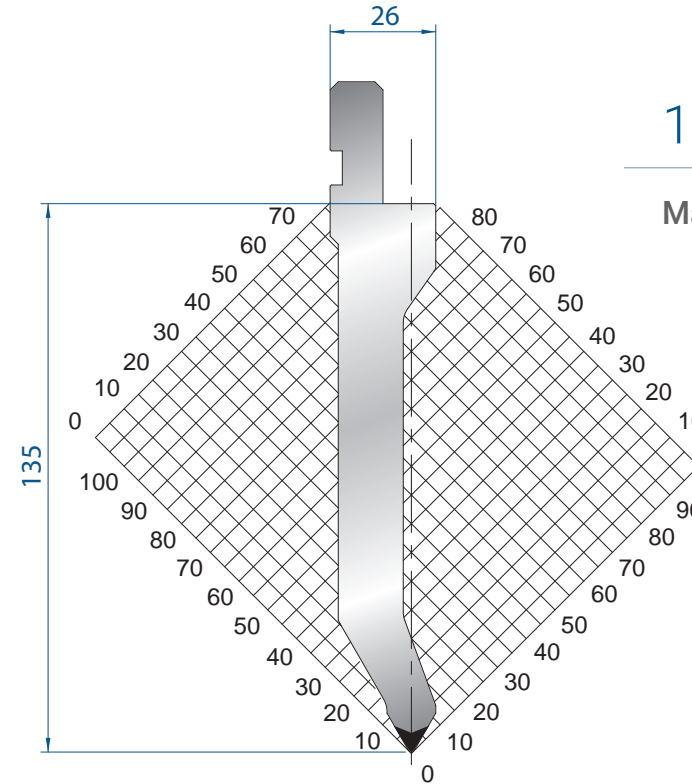
835 mm	9,0 kg
415 mm	4,0 kg
805 mm	9,0 kg
FRAZ. / SECT.	



1032

Mat = C45
H = 65.00
Max T/m = 120
 $\alpha = 60^\circ$
R = 6

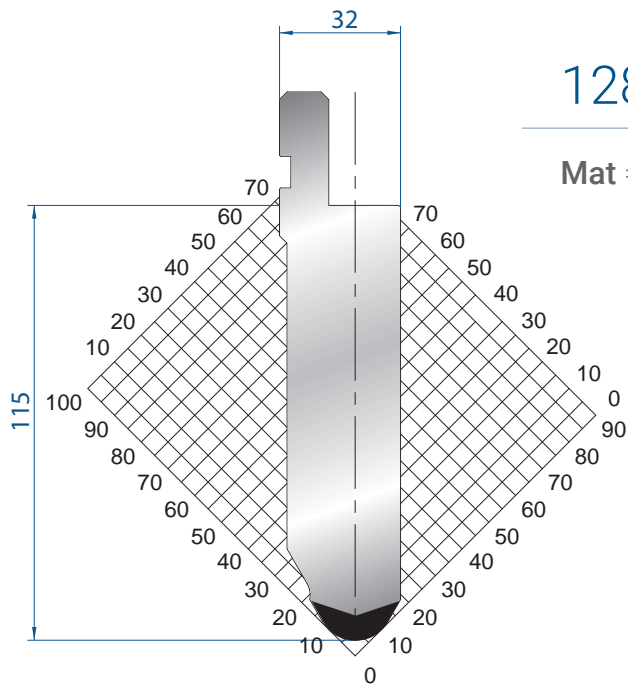
835 mm	14,0 kg
415 mm	7,0 kg
805 mm FRAZ. / SECT.	14,0 kg



1284

Mat = C45
H = 135.00
Max T/m = 70
 $\alpha = 60^\circ$
R = 0.8

835 mm	19,0 kg
415 mm	9,0 kg
805 mm FRAZ. / SECT.	19,0 kg



1283

Mat = C45
H = 115.00
Max T/m = 150
 $\alpha = 60^\circ$
R = 10

835 mm	25,0 kg
415 mm	12,0 kg
805 mm FRAZ. / SECT.	25,0 kg

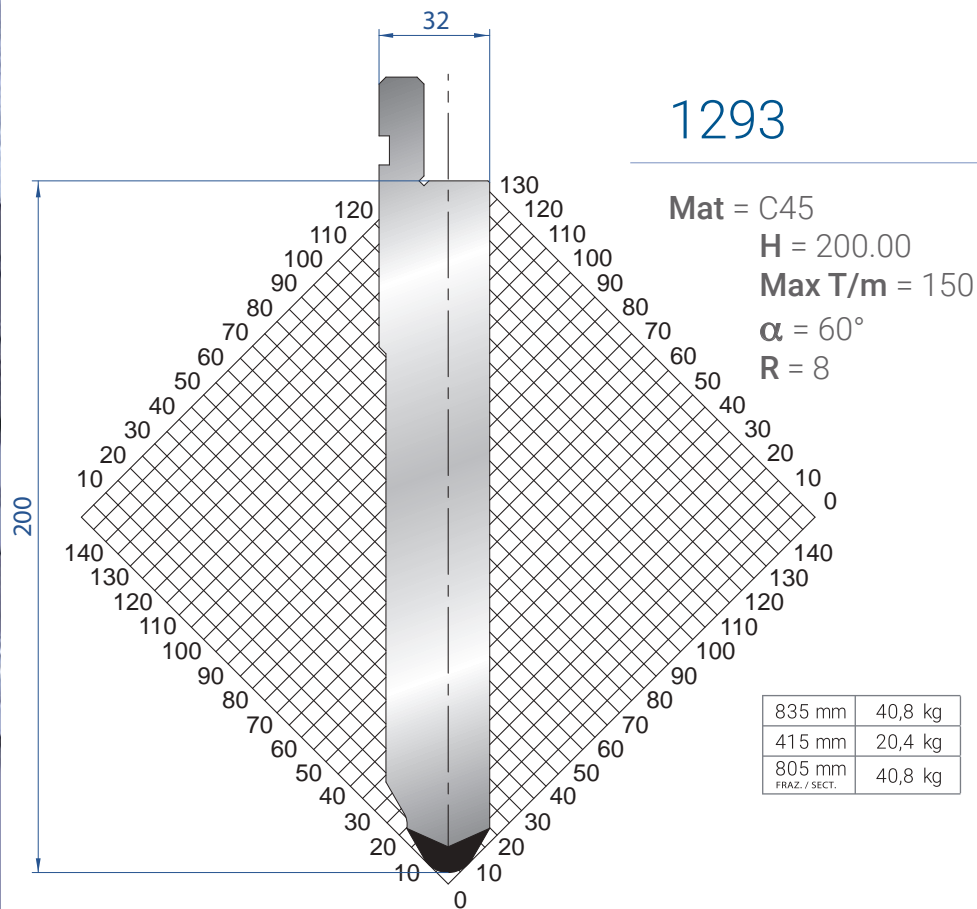


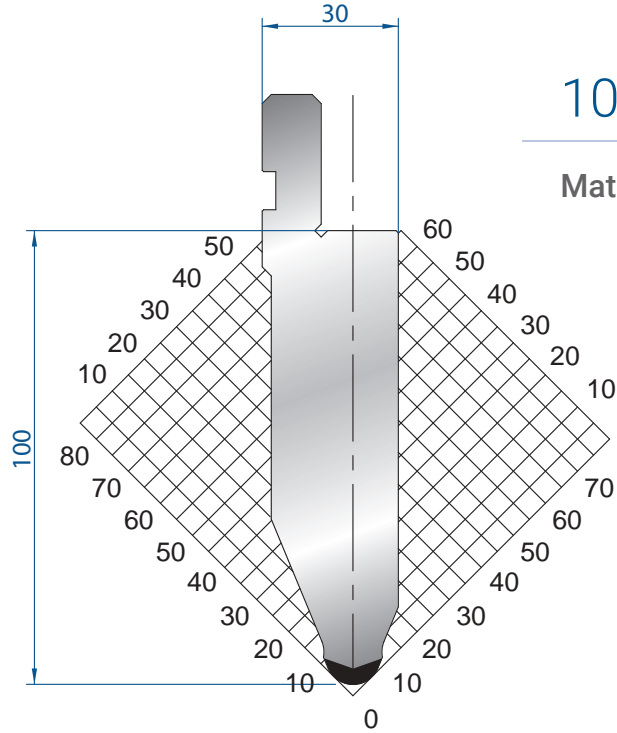
PUNZONI - 60° / PUNCHES - 60°

AMADA
PROMECAM STYLE



1293

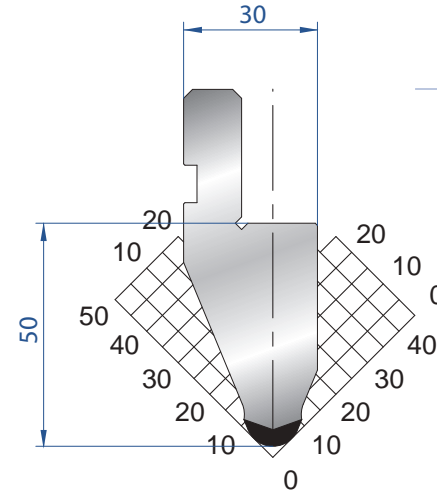




1053

Mat = C45
H = 100.00
Max T/m = 100
 $\alpha = 45^\circ$
R = 6

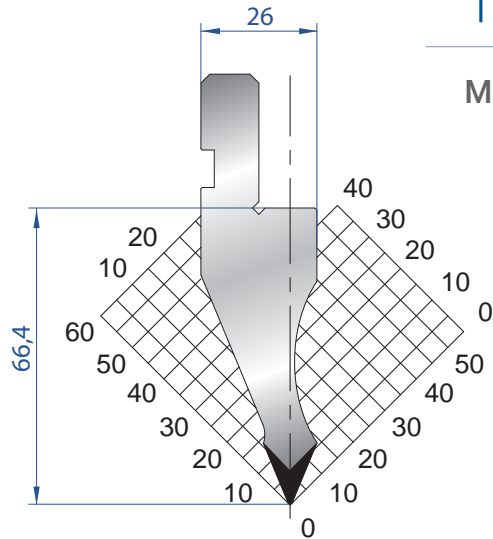
835 mm	19,0 kg
415 mm	9,0 kg
805 mm	19,0 kg
FRAZ. / SECT.	



1054

Mat = C45
H = 50.00
Max T/m = 100
 $\alpha = 45^\circ$
R = 6

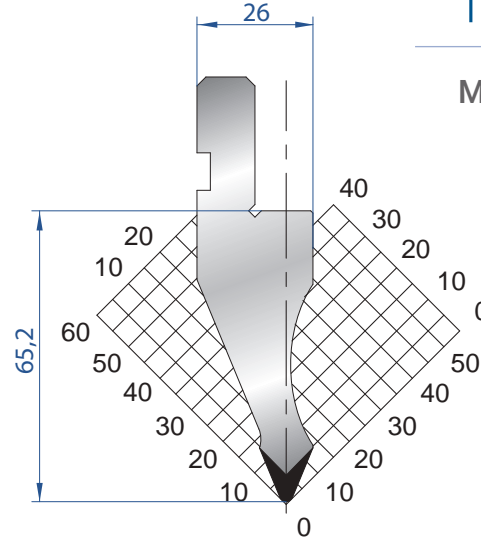
835 mm	9,0 kg
415 mm	4,0 kg
805 mm	9,0 kg
FRAZ. / SECT.	



1024

Mat = C45
H = 66.40
Max T/m = 80
 $\alpha = 45^\circ$
R = 0.5

835 mm	10,0 kg
415 mm	5,0 kg
805 mm	10,0 kg
FRAZ. / SECT.	

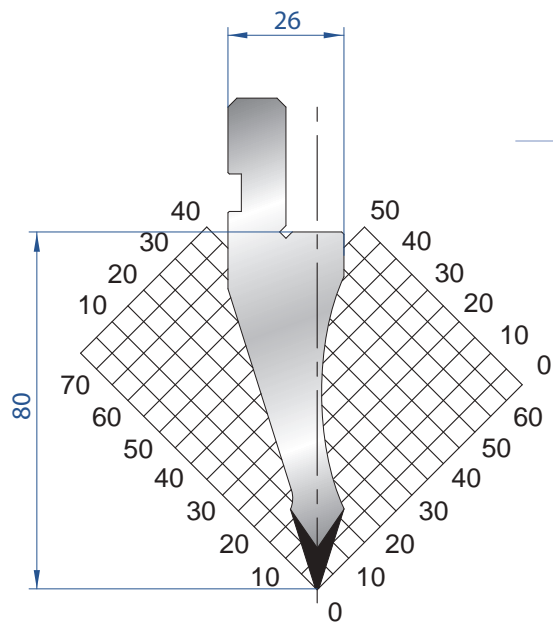


1025

Mat = C45
H = 65.20
Max T/m = 80
 $\alpha = 45^\circ$
R = 1.5

835 mm	10,0 kg
415 mm	5,0 kg
805 mm	10,0 kg
FRAZ. / SECT.	

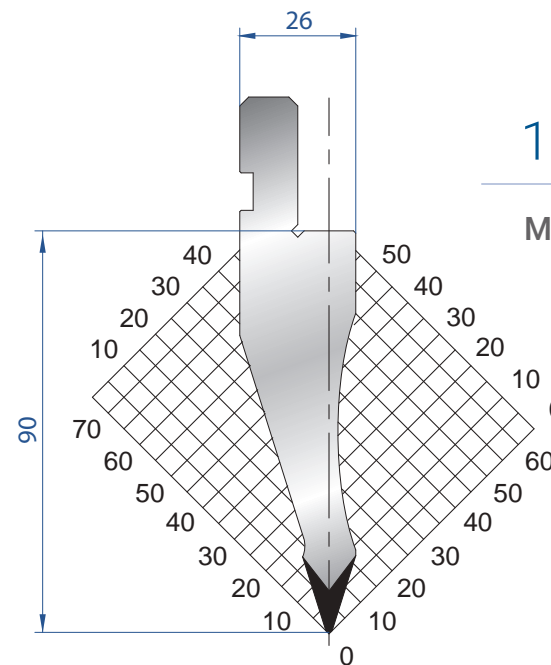




1035

Mat = C45
 H = 80.00
 Max T/m = 70
 $\alpha = 35^\circ$
 R = 0.5

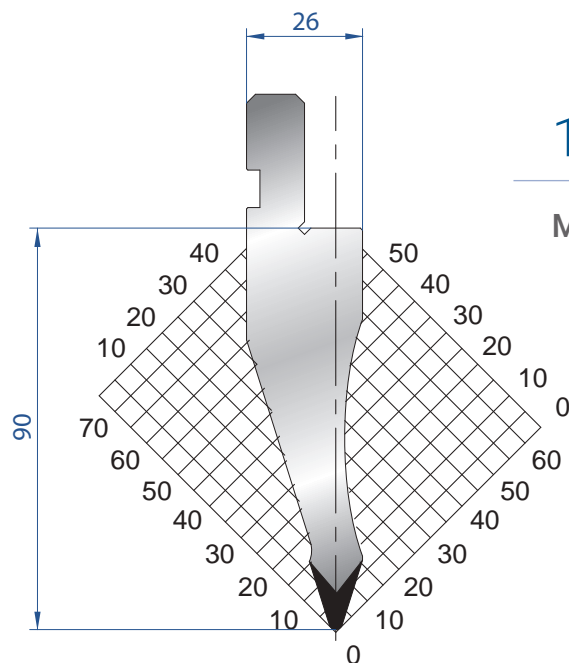
835 mm	11,0 kg
415 mm	5,0 kg
805 mm	11,0 kg
FRAZ. / SECT.	



1047

Mat = C45
 H = 90.00
 Max T/m = 70
 $\alpha = 35^\circ$
 R = 0.8

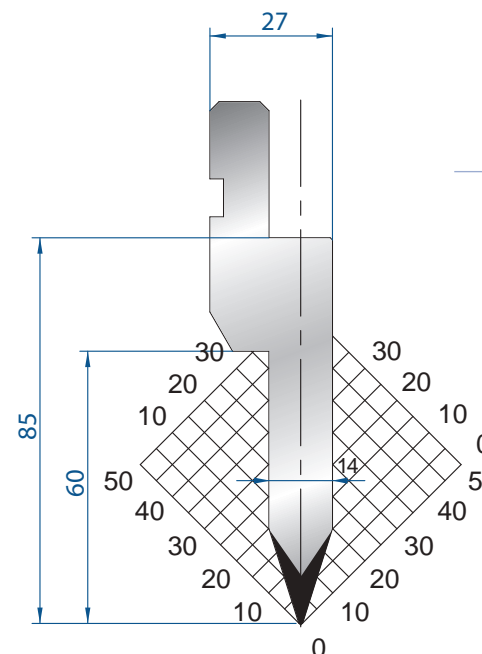
835 mm	12,0 kg
415 mm	6,0 kg
805 mm	12,0 kg
FRAZ. / SECT.	



1282

Mat = C45
 H = 90.00
 Max T/m = 70
 $\alpha = 35^\circ$
 R = 1.5

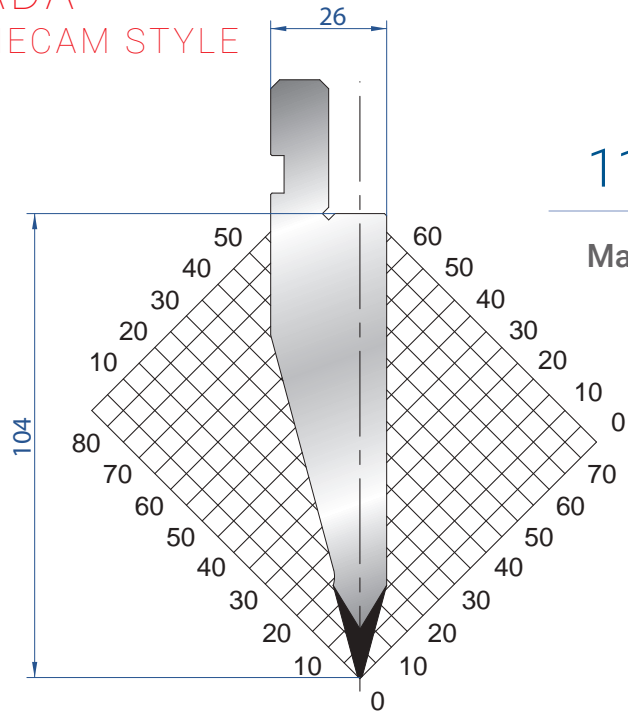
835 mm	12,0 kg
415 mm	6,0 kg
805 mm	12,0 kg
FRAZ. / SECT.	



1034

Mat = C45
 H = 85.00
 Max T/m = 100
 $\alpha = 35^\circ$
 P = 0.8

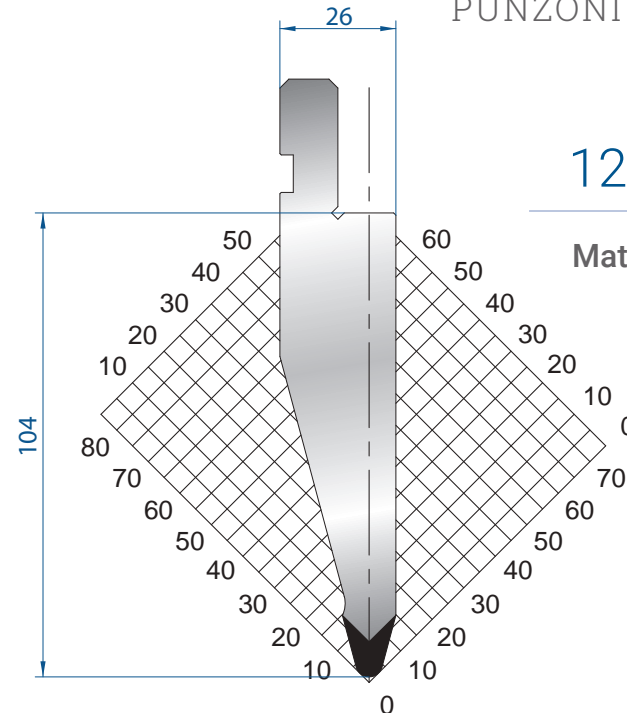
835 mm	10,0 kg
415 mm	5,0 kg
805 mm	10,0 kg
FRAZ. / SECT.	



1193

Mat = C45
H = 104.00
Max T/m = 100
 $\alpha = 30^\circ$
R = 0.6

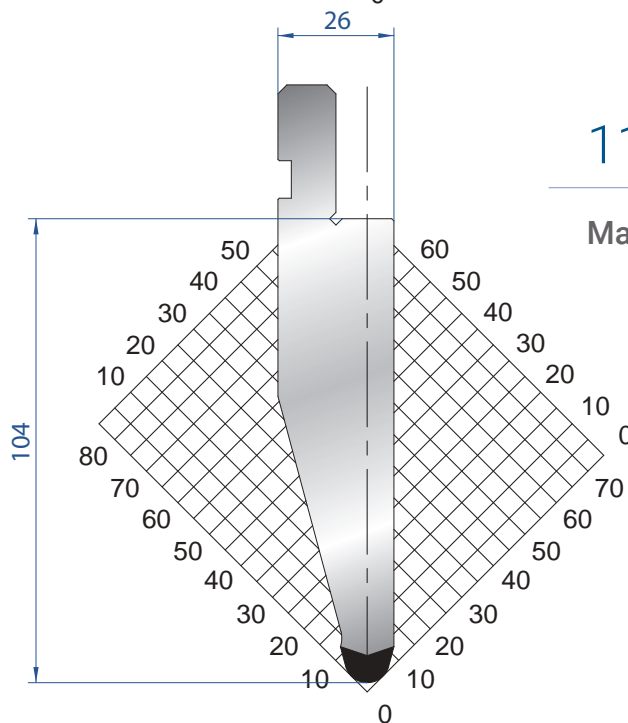
835 mm	16,0 kg
415 mm	8,0 kg
805 mm FRAZ. / SECT.	16,0 kg



1289

Mat = C45
H = 104.00
Max T/m = 100
 $\alpha = 30^\circ$
R = 3

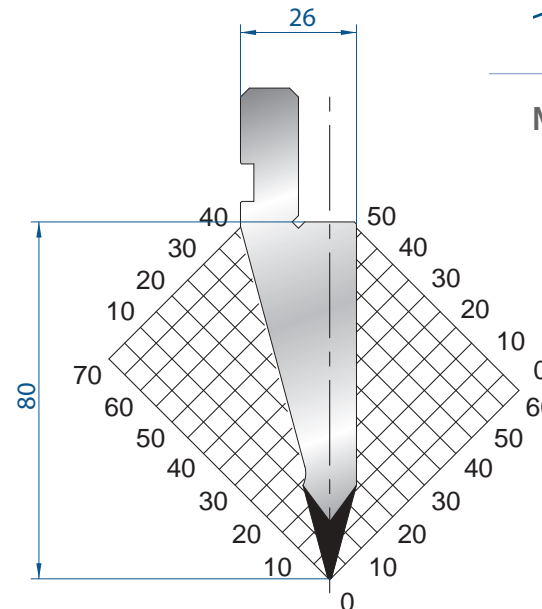
835 mm	16,0 kg
415 mm	8,0 kg
805 mm FRAZ. / SECT.	16,0 kg



1194

Mat = C45
H = 104.00
Max T/m = 100
 $\alpha = 30^\circ$
R = 5

835 mm	16,0 kg
415 mm	8,0 kg
805 mm FRAZ. / SECT.	16,0 kg

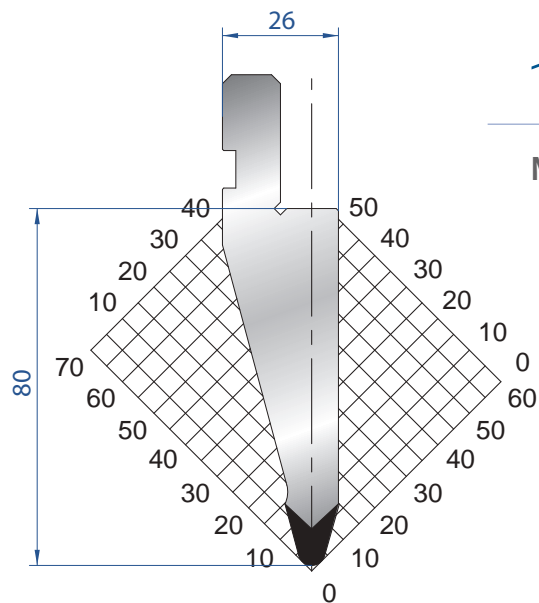


1056

Mat = C45
H = 80.00
Max T/m = 100
 $\alpha = 30^\circ$
R = 0.5

835 mm	10,0 kg
415 mm	5,0 kg
805 mm FRAZ. / SECT.	10,0 kg

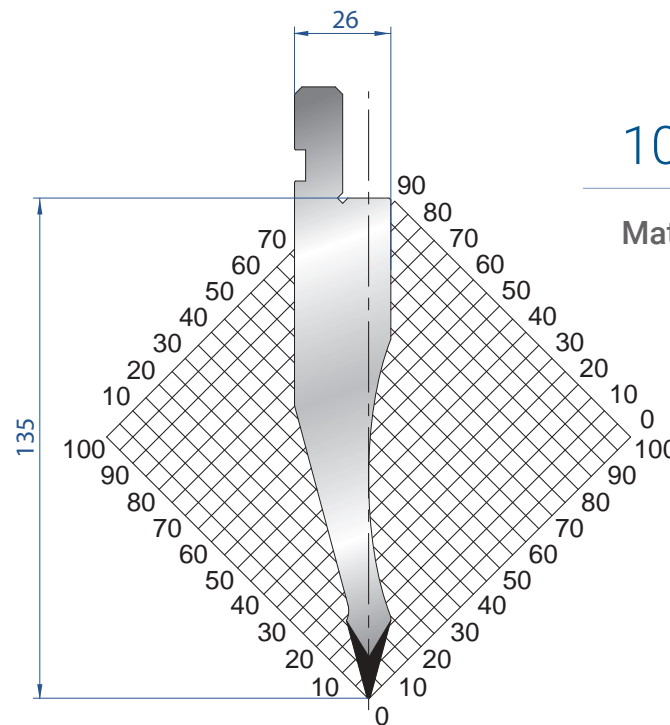




1057

Mat = C45
 H = 80.00
 Max T/m = 100
 $\alpha = 30^\circ$
 R = 3

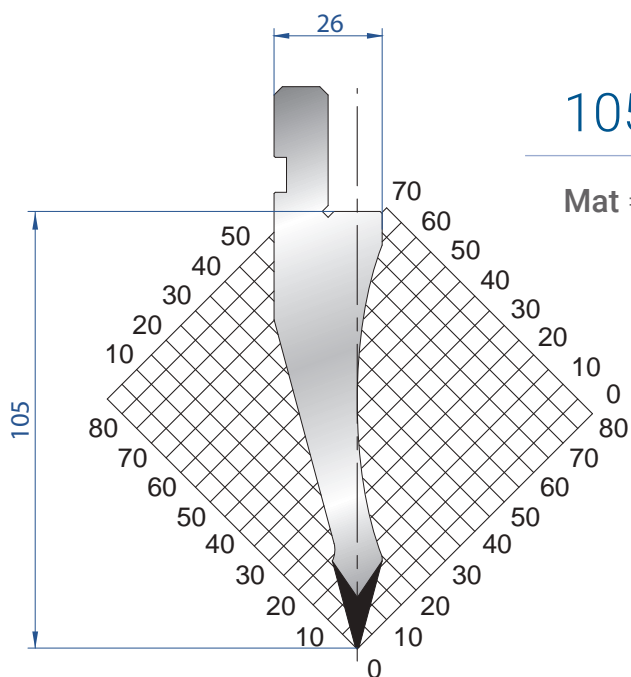
835 mm	10,0 kg
415 mm	5,0 kg
805 mm FRAZ. / SECT.	10,0 kg



1052

Mat = C45
 H = 135.00
 Max T/m = 50
 $\alpha = 30^\circ$
 R = 0.5

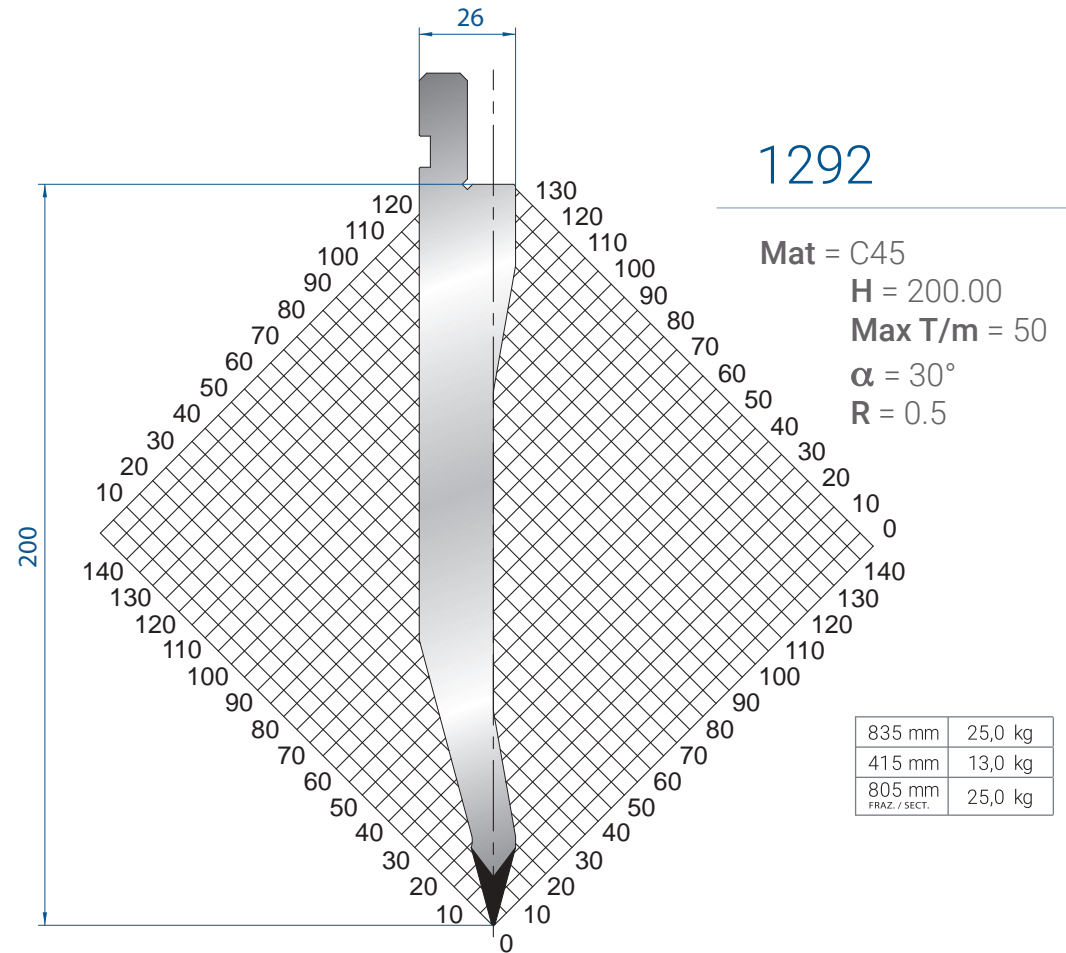
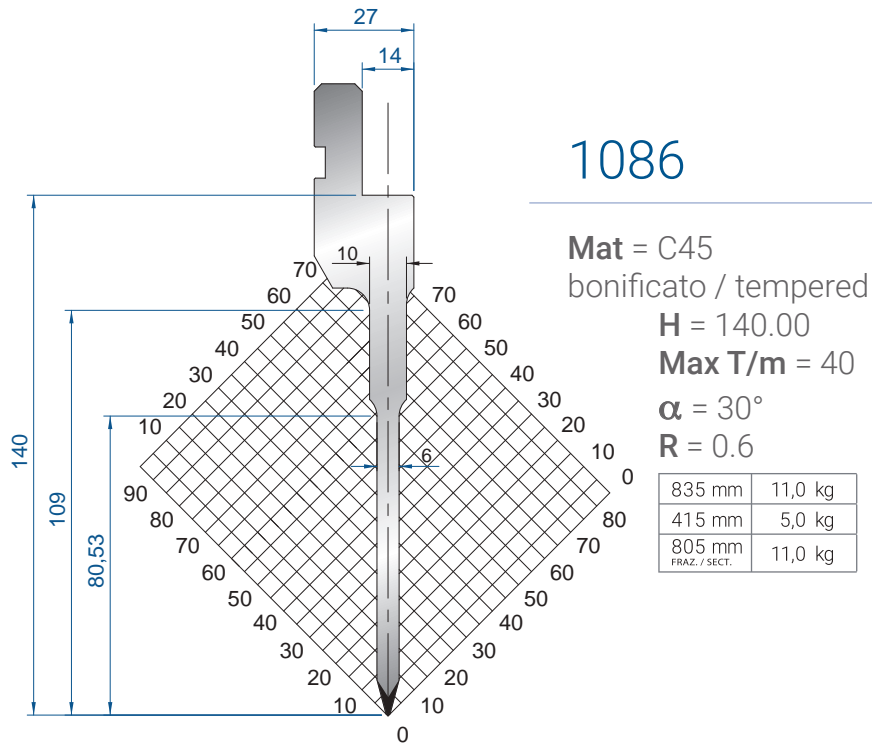
835 mm	19,0 kg
415 mm	9,0 kg
805 mm FRAZ. / SECT.	19,0 kg

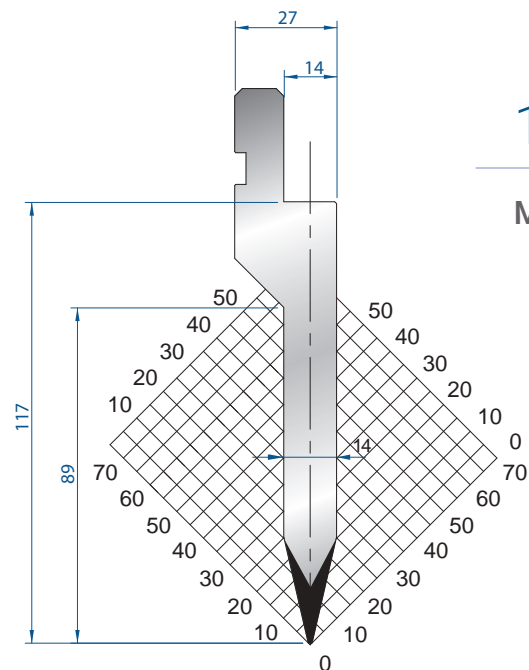


1055

Mat = C45
 H = 105.00
 Max T/m = 50
 $\alpha = 30^\circ$
 R = 0.5

835 mm	15,0 kg
415 mm	7,0 kg
805 mm FRAZ. / SECT.	15,0 kg

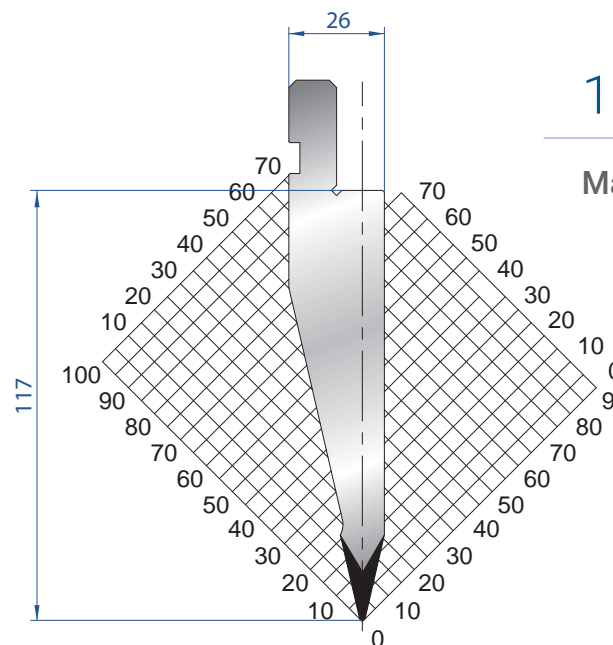




1033

Mat = C45
H = 117.00
Max T/m = 100
 $\alpha = 26^\circ$
P = 1

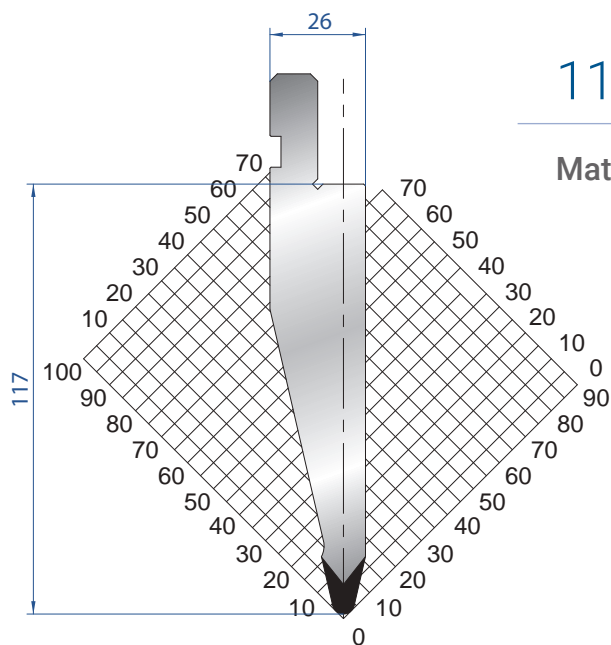
835 mm	13,8 kg
415 mm	6,0 kg
805 mm	13,8 kg
FRAZ. / SECT.	



1178

Mat = C45
H = 117.00
Max T/m = 100
 $\alpha = 26^\circ$
R = 0.8

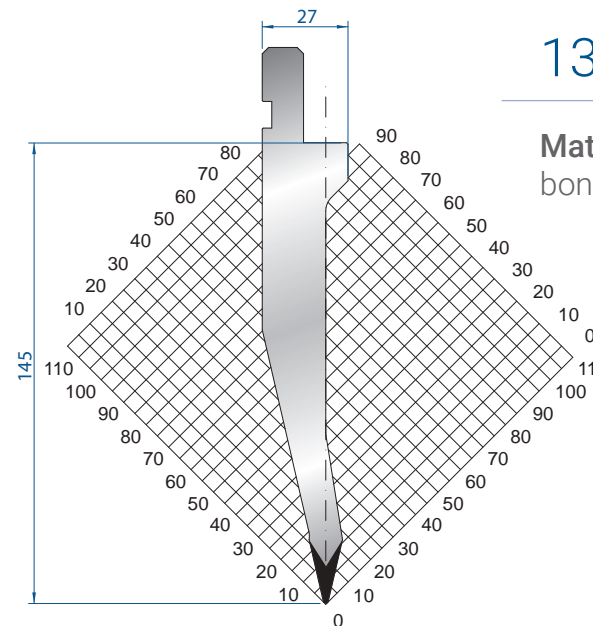
835 mm	16,0 kg
415 mm	8,0 kg
805 mm	16,0 kg
FRAZ. / SECT.	



1192

Mat = C45
H = 117.00
Max T/m = 100
 $\alpha = 26^\circ$
R = 3

835 mm	16,0 kg
415 mm	8,0 kg
805 mm	16,0 kg
FRAZ. / SECT.	



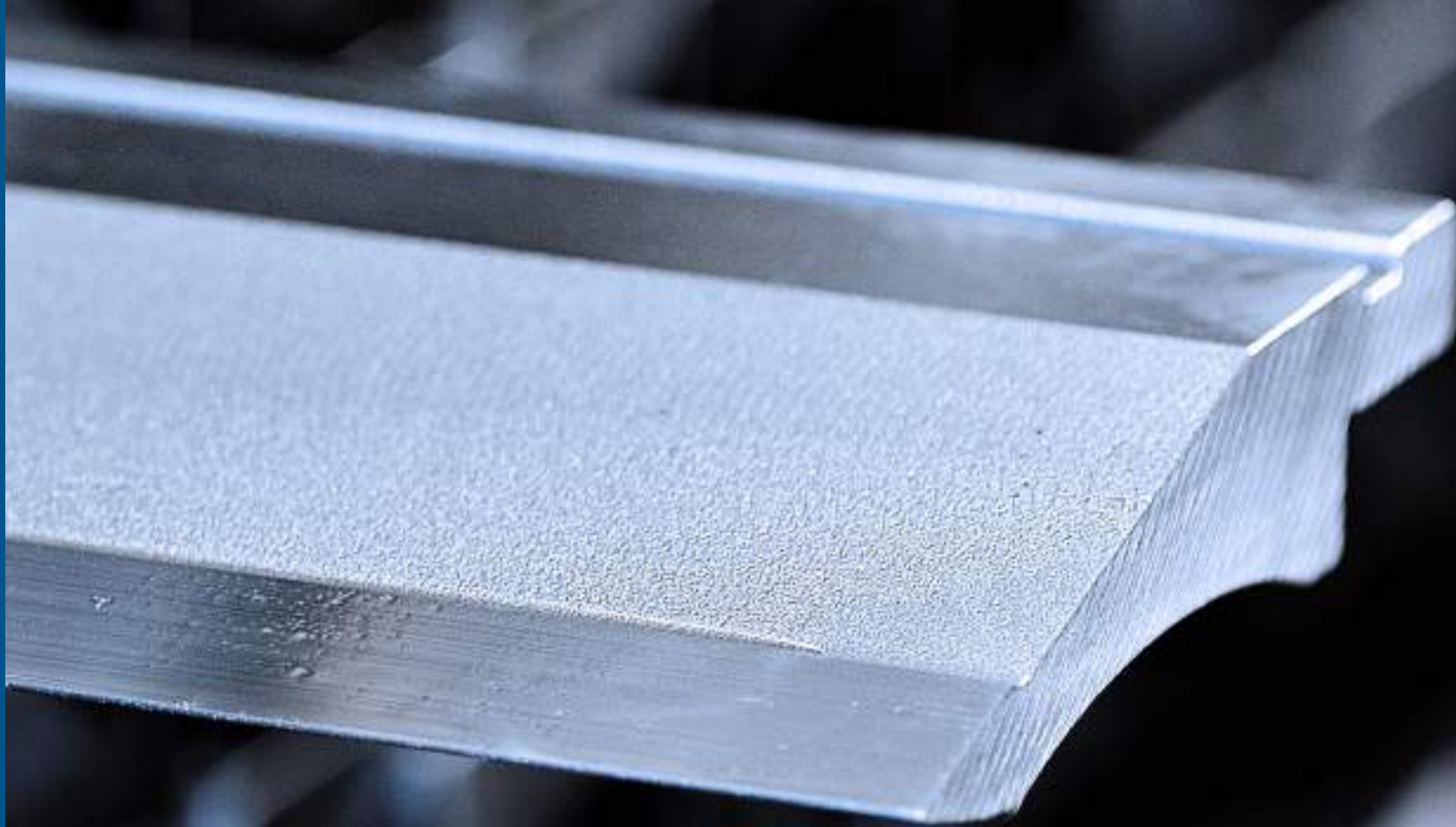
1311

Mat = 42CrMo4
bonificato / tempered
H = 145.00
Max T/m = 100
 $\alpha = 26^\circ$
R = 0.8

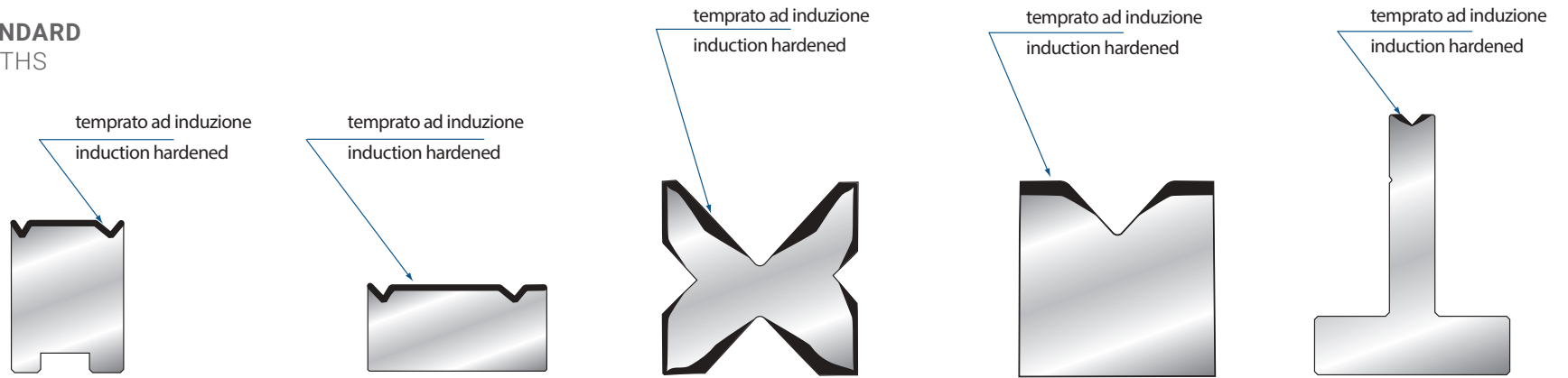
835 mm	14,5 kg
415 mm	7,2 kg
805 mm	14,5 kg
FRAZ. / SECT.	

AMADA
PROMECAM STYLE

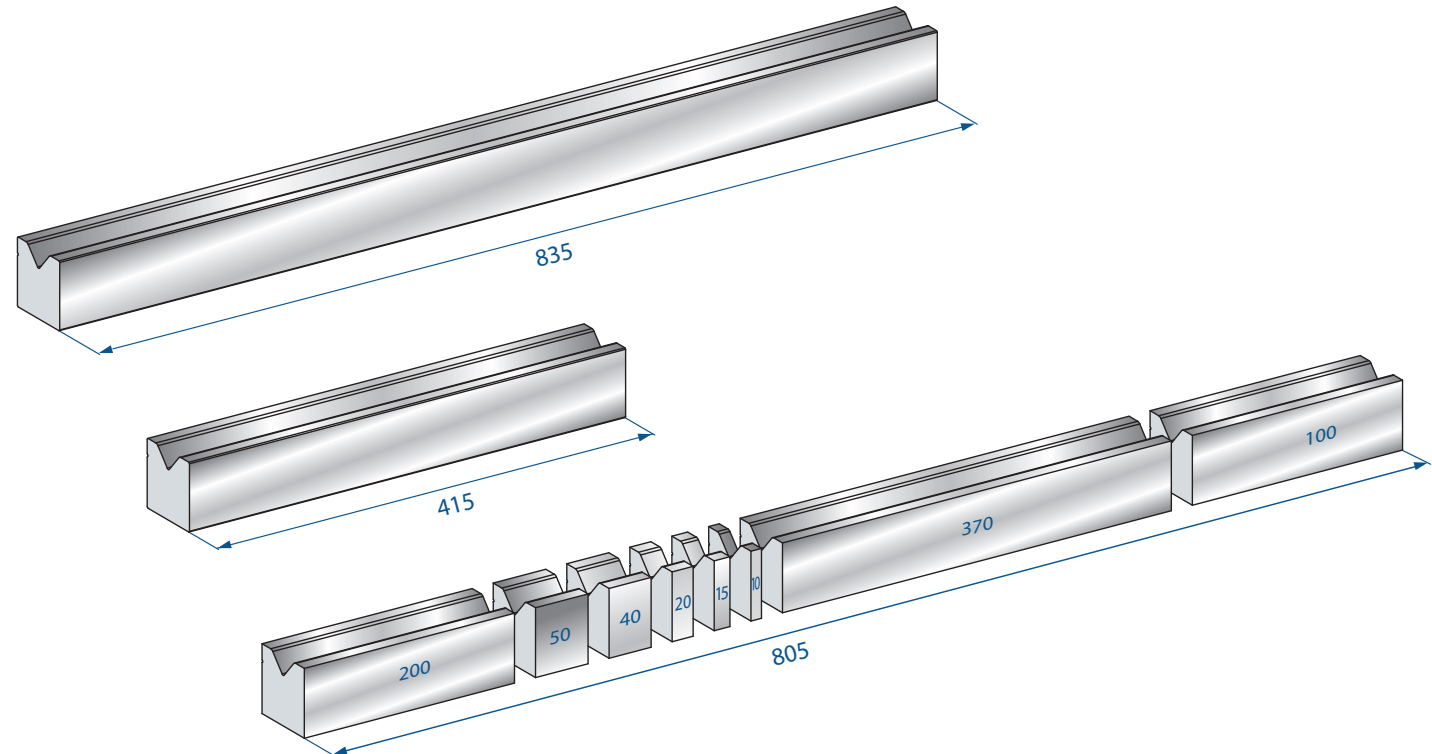




LUNGHEZZE STANDARD
STANDARD LENGTHS

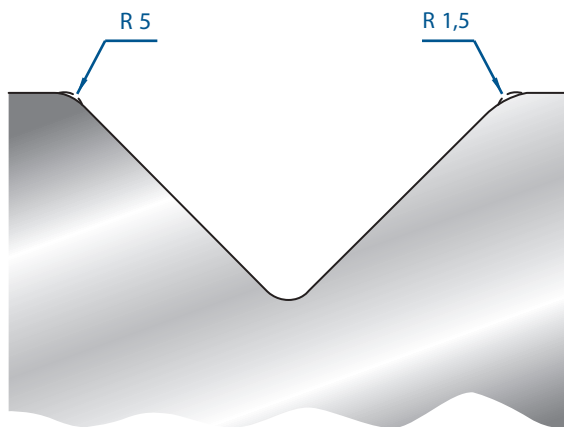


FRAZIONATURA STANDARD
STANDARD SEGMENTATION

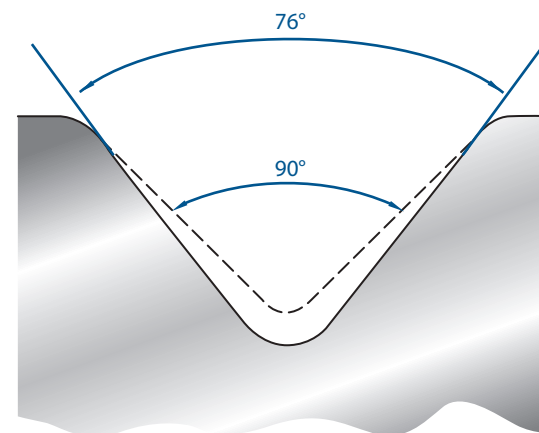




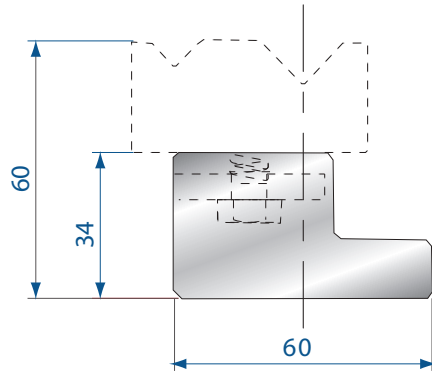
TAGLI A RICHIESTA
SPECIAL SEGMENTATION



MODIFICA RAGGIO
RADIUS MODIFICATION



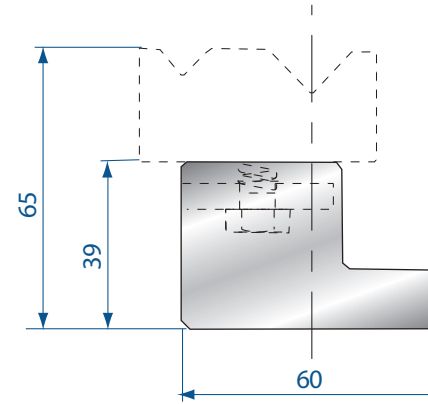
MODIFICA ANGOLO
ANGLE MODIFICATION



2018

Mat = C45

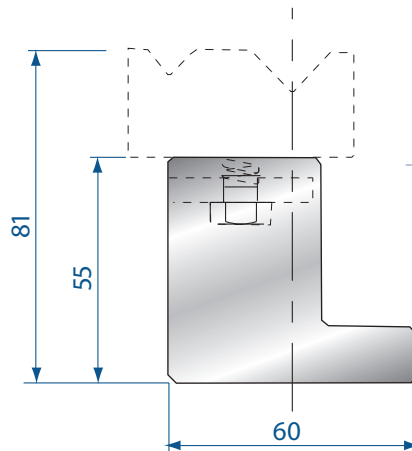
835 mm	9,0 kg
415 mm	4,0 kg



2039

Mat = C45

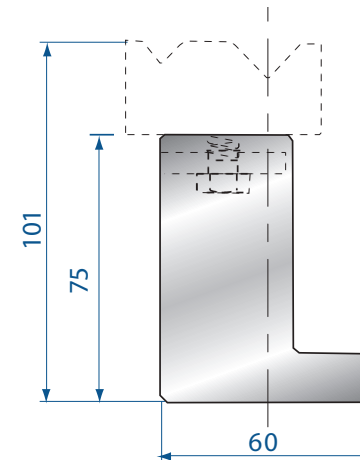
835 mm	12,0 kg
415 mm	6,0 kg



2019

Mat = C45

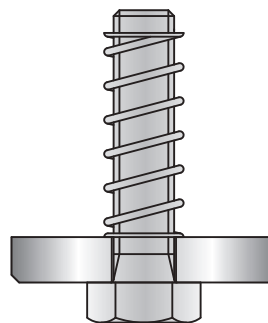
835 mm	15,0 kg
415 mm	7,0 kg



2035

Mat = C45

835 mm	19,0 kg
415 mm	9,0 kg

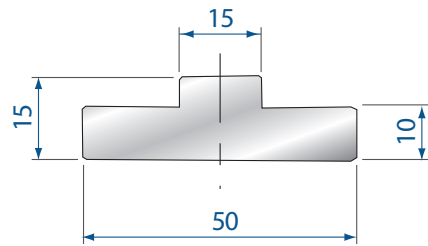


4277

MOLLA + RONDELLA + VITE
SPRING + WASHER + SCREW



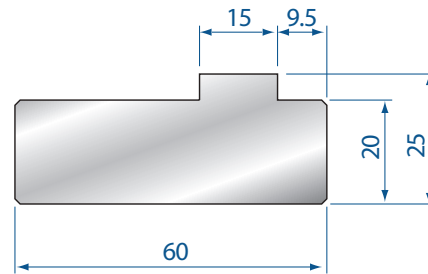
SUPPORTI PER MATRICI AUTOCENTRANTI
DIE HOLDERS FOR SELF-CENTERING DIES



2058

Mat = C45

835 mm	4,0 kg
415 mm	2,0 kg

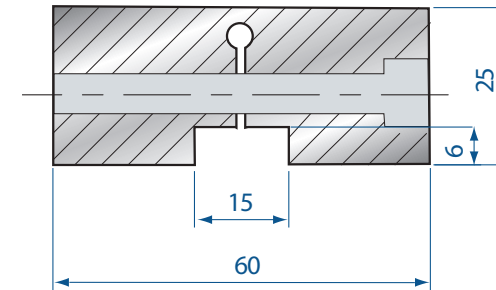


2059

Mat = C45

835 mm	8,0 kg
415 mm	4,0 kg

FERMO PER MATRICI AUTOCENTRANTI
FIXED BAR FOR SELF-CENTERING DIES



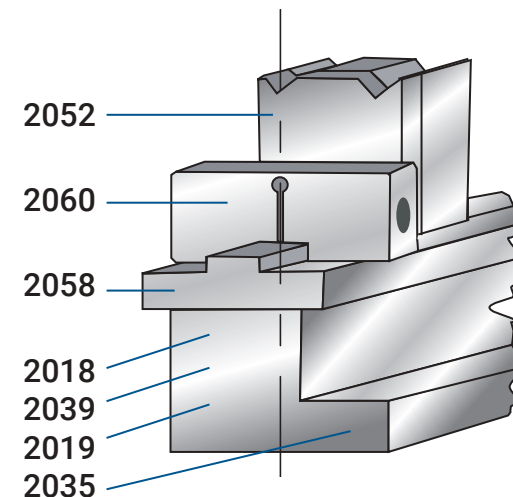
2060

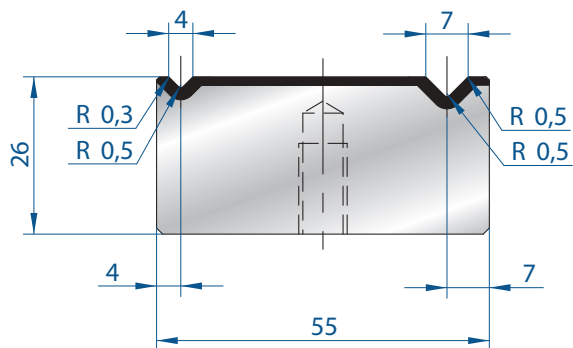
Mat = C45

15 mm	0,2 kg
-------	--------

DEVE ESSERE INSTALLATO SUI RIALZI
TO BE INSTALLED ON DIE HOLDER
2018 - 2019 - 2035 - 2039

ESEMPIO DI MONTAGGIO
ASSEMBLY EXAMPLE

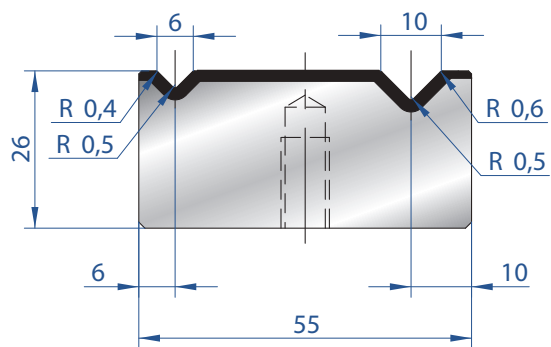




2010

Mat = C45
Max T/m = 100
 $\alpha = 90^\circ$

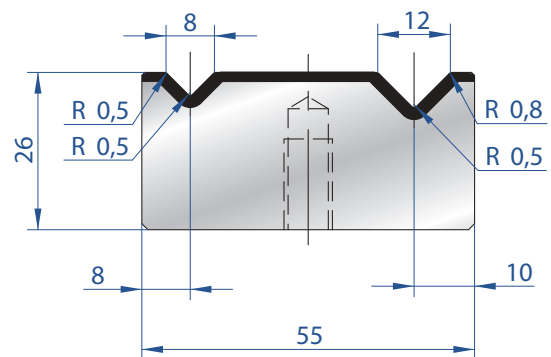
835 mm	9,0 kg
415 mm	4,0 kg



2011

Mat = C45
Max T/m = 100
 $\alpha = 90^\circ$

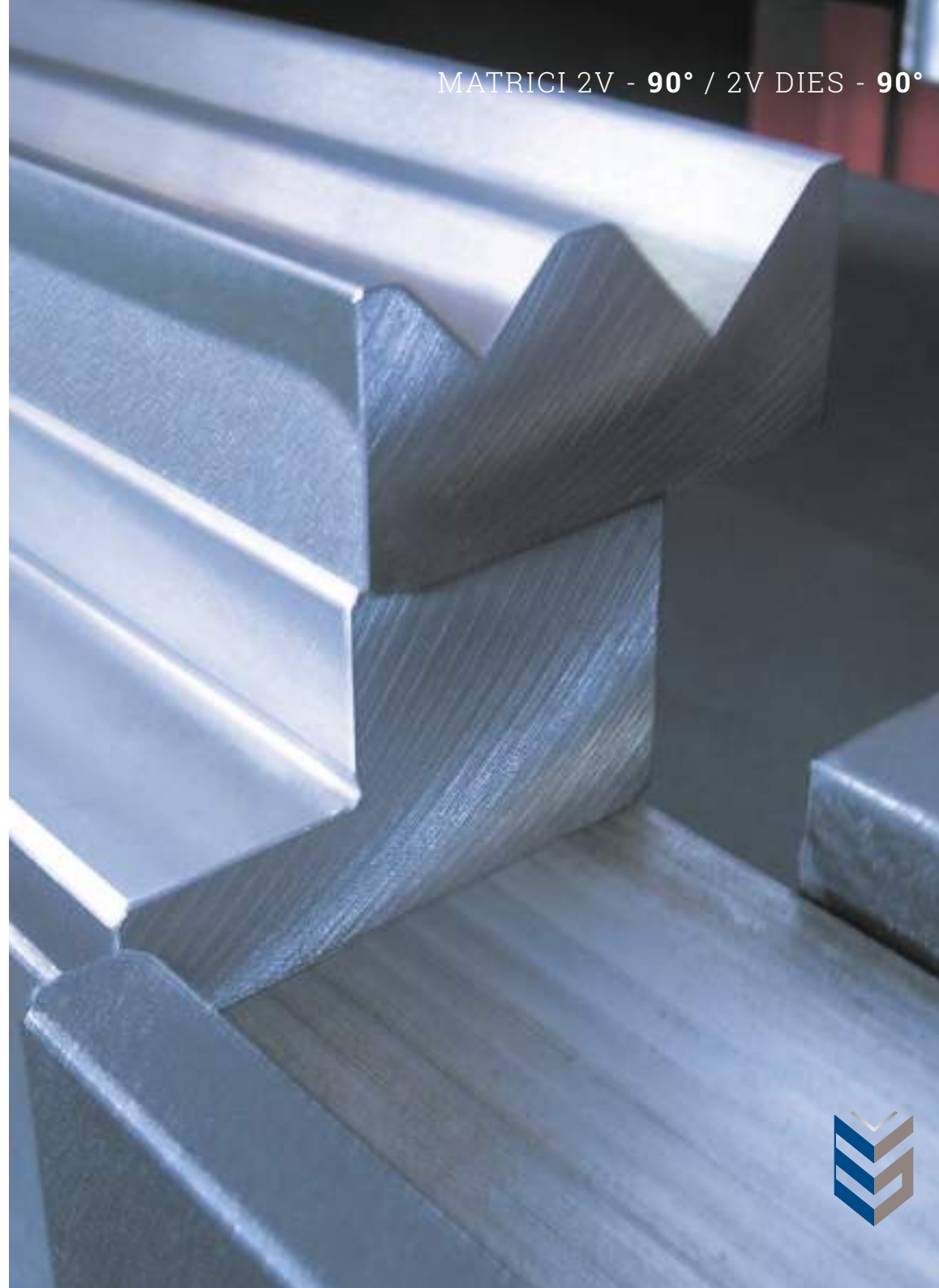
835 mm	9,0 kg
415 mm	4,0 kg

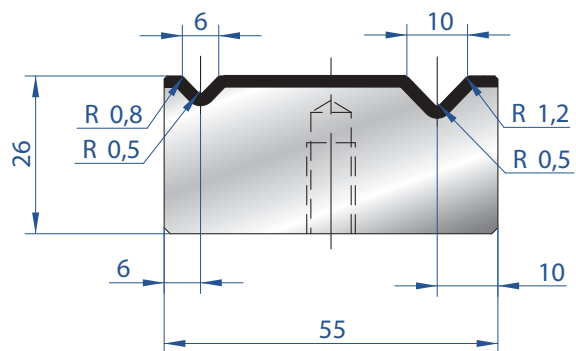


2012

Mat = C45
Max T/m = 100
 $\alpha = 90^\circ$

835 mm	9,0 kg
415 mm	4,0 kg

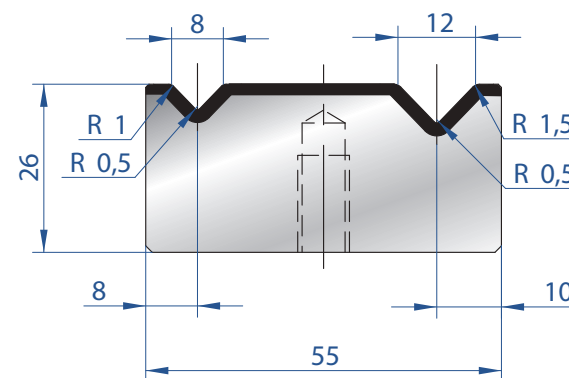




2046

Mat = C45
Max T/m = 100
 $\alpha = 88^\circ$

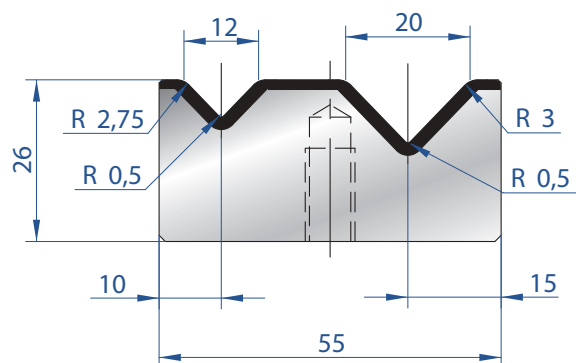
835 mm	9,0 kg
415 mm	4,0 kg



2041

Mat = C45
Max T/m = 100
 $\alpha = 88^\circ$

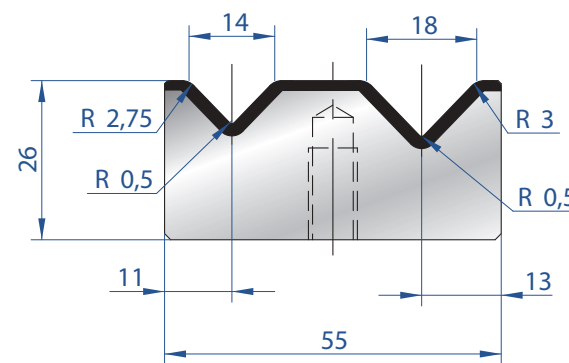
835 mm	9,0 kg
415 mm	4,0 kg



2013

Mat = C45
Max T/m = 100
 $\alpha = 88^\circ$

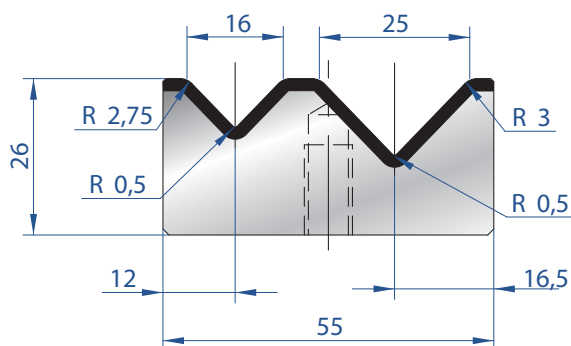
835 mm	9,0 kg
415 mm	4,0 kg



2032

Mat = C45
Max T/m = 100
 $\alpha = 88^\circ$

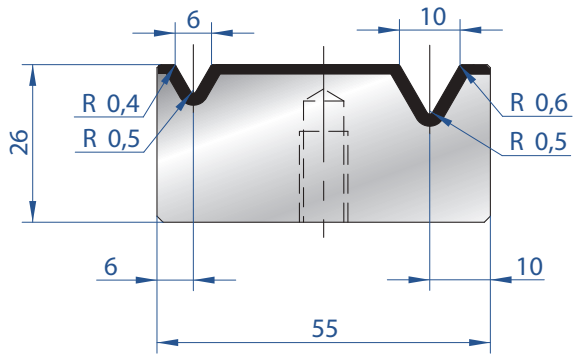
835 mm	9,0 kg
415 mm	4,0 kg



2014

Mat = C45
Max T/m = 100
 $\alpha = 88^\circ$

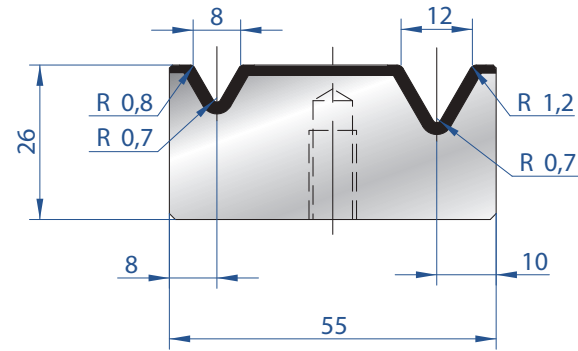
835 mm	8,0 kg
415 mm	4,0 kg



2015

Mat = C45
Max T/m = 60
 $\alpha = 60^\circ$

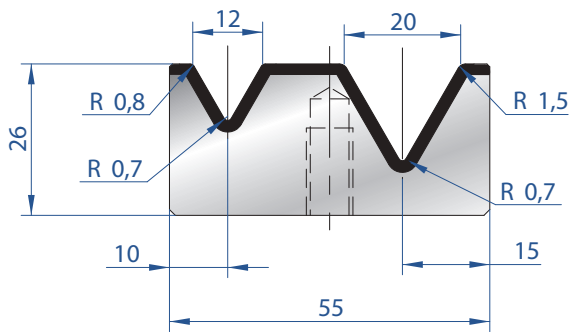
835 mm	8,0 kg
415 mm	4,0 kg



2016

Mat = C45
Max T/m = 60
 $\alpha = 60^\circ$

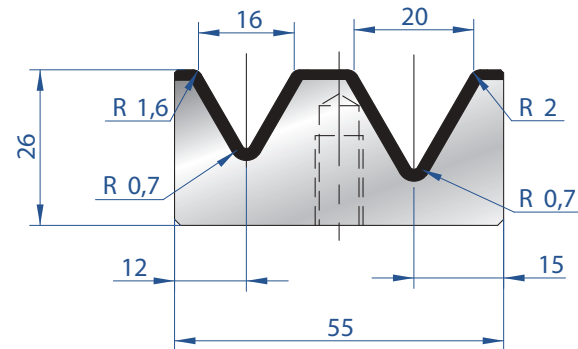
835 mm	8,0 kg
415 mm	4,0 kg



2033

Mat = C45
Max T/m = 60
 $\alpha = 60^\circ$

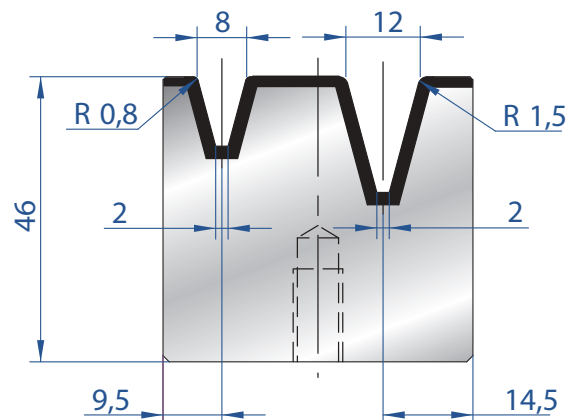
835 mm	8,0 kg
415 mm	4,0 kg



2017

Mat = C45
Max T/m = 60
 $\alpha = 60^\circ$

835 mm	8,0 kg
415 mm	4,0 kg

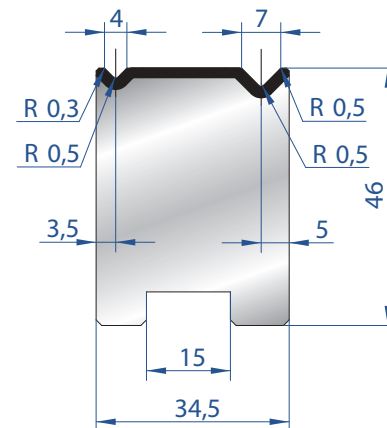
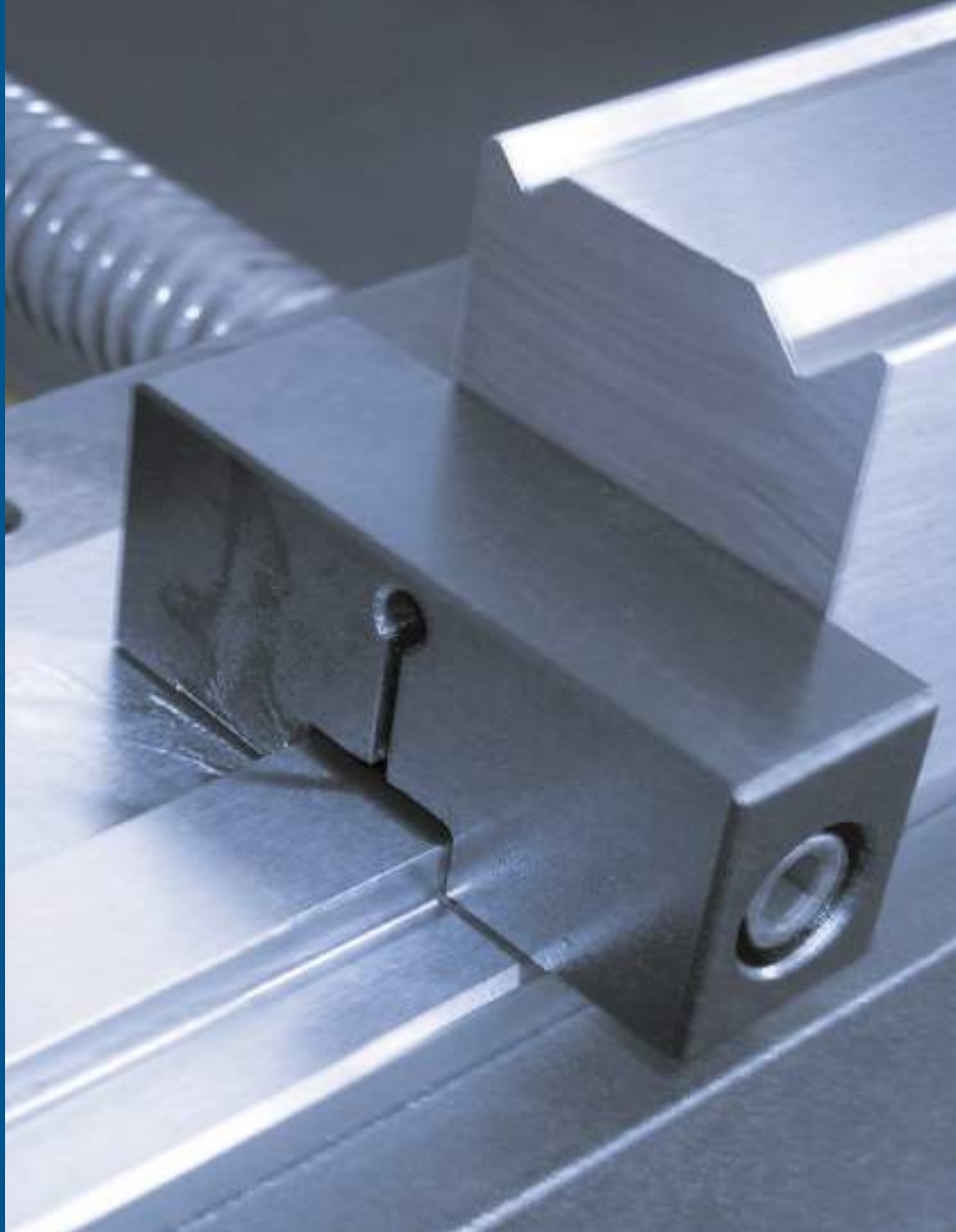


2047

Mat = C45
Max T/m = 40
 $\alpha = 30^\circ$

835 mm	8,0 kg
415 mm	4,0 kg

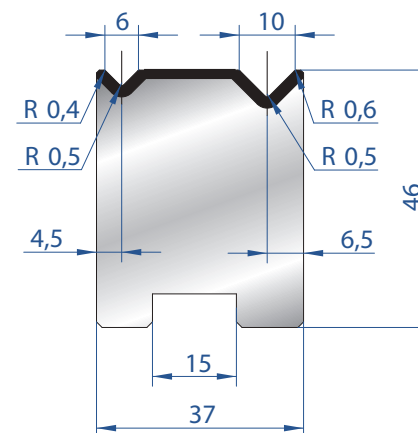




2048

Mat = C45
Max T/m = 80
 $\alpha = 90^\circ$

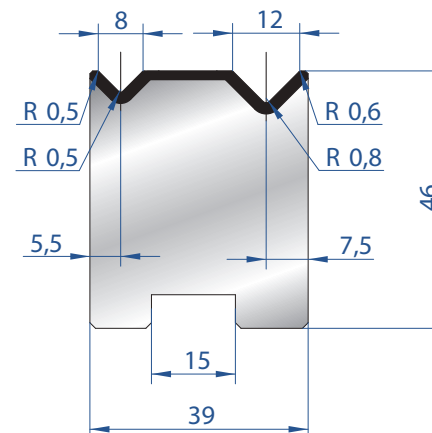
835 mm	9,0 kg
415 mm	4,0 kg
805 mm	9,0 kg
FRAZ. / SECT.	



2049

Mat = C45
Max T/m = 80
 $\alpha = 90^\circ$

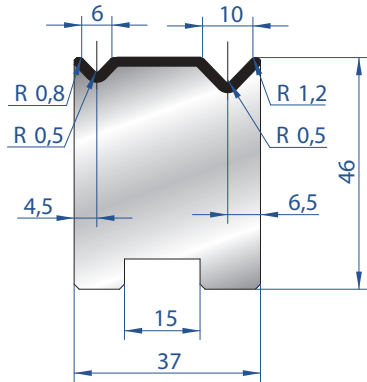
835 mm	10,0 kg
415 mm	5,0 kg
805 mm	10,0 kg
FRAZ. / SECT.	



2051

Mat = C45
Max T/m = 80
 $\alpha = 90^\circ$

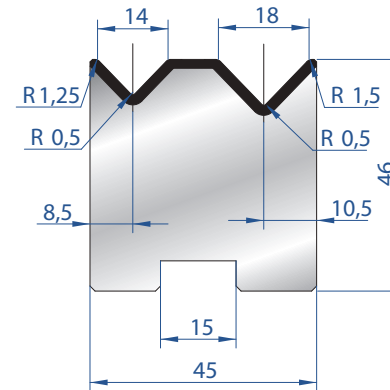
835 mm	10,0 kg
415 mm	5,0 kg
805 mm	10,0 kg
FRAZ. / SECT.	



2050

Mat = C45
Max T/m = 80
 $\alpha = 88^\circ$

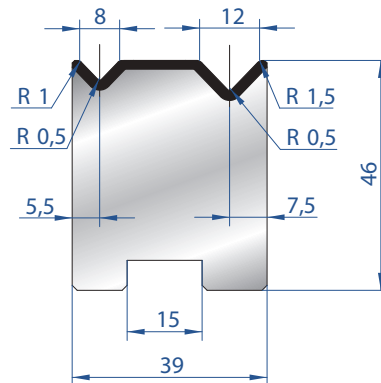
835 mm	10,0 kg
415 mm	5,0 kg
805 mm FRAZ. / SECT.	10,0 kg



2053

Mat = C45
Max T/m = 80
 $\alpha = 88^\circ$

835 mm	12,0 kg
415 mm	6,0 kg
805 mm FRAZ. / SECT.	12,0 kg

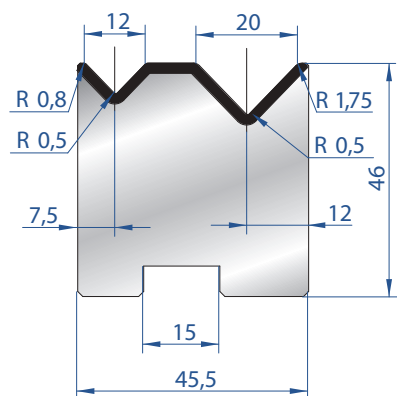


2052

Mat = C45
Max T/m = 80
 $\alpha = 88^\circ$

835 mm	10,0 kg
415 mm	5,0 kg
805 mm FRAZ. / SECT.	10,0 kg

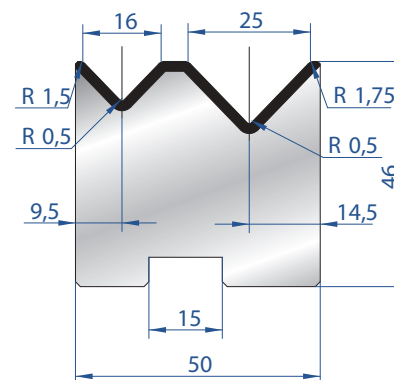




2054

Mat = C45
Max T/m = 80
 $\alpha = 88^\circ$

835 mm	12,0 kg
415 mm	6,0 kg
805 mm FRAZ. / SECT.	12,0 kg



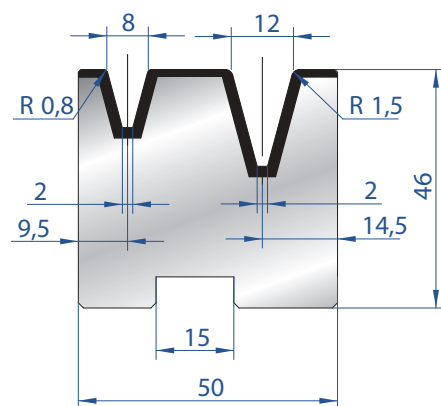
2055

Mat = C45
Max T/m = 80
 $\alpha = 88^\circ$

835 mm	13,0 kg
415 mm	6,0 kg
805 mm FRAZ. / SECT.	13,0 kg

AMADA
PROMECAM STYLE

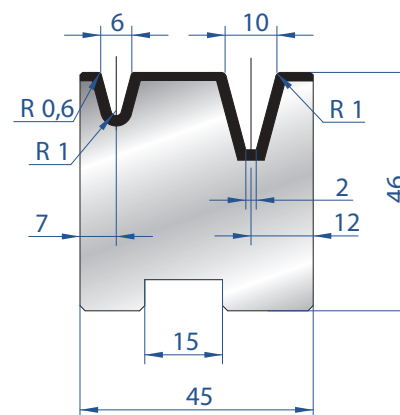




2056

Mat = C45
Max T/m = 40
 $\alpha = 30^\circ$

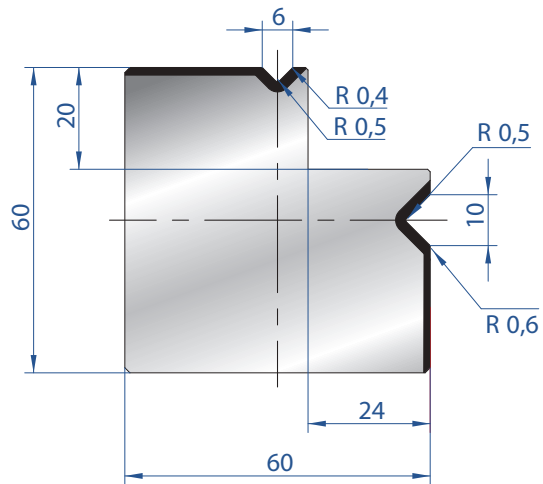
835 mm	13,0 kg
415 mm	6,0 kg
805 mm FRAZ. / SECT.	13,0 kg



2057

Mat = C45
Max T/m = 40
 $\alpha = 30^\circ$

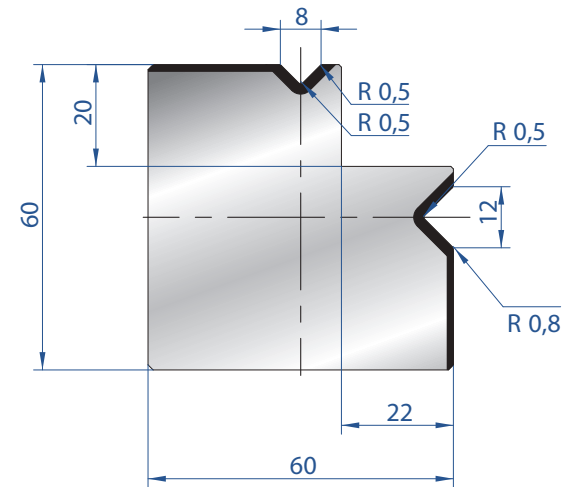
835 mm	13,0 kg
415 mm	6,0 kg
805 mm FRAZ. / SECT.	13,0 kg



2028

Mat = C45
Max T/m = 80
 $\alpha = 90^\circ$

835 mm	20,0 kg
415 mm	10,0 kg
805 mm FRAZ. / SECT.	20,0 kg

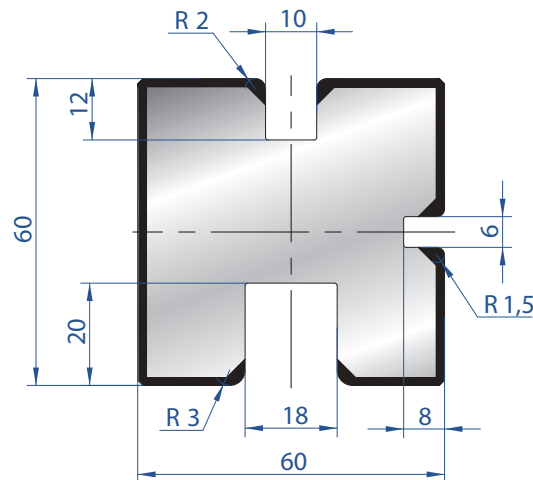


2029

Mat = C45
Max T/m = 80
 $\alpha = 90^\circ$

835 mm	20,0 kg
415 mm	10,0 kg
805 mm FRAZ. / SECT.	20,0 kg

MATRICI 3U / 3U DIES

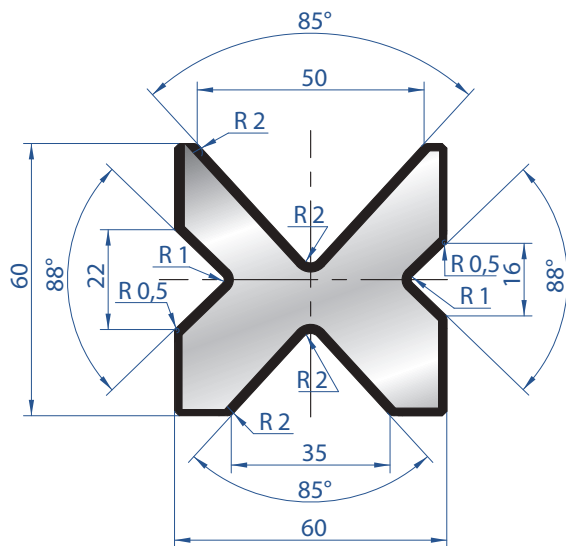


2031

Mat = C45
Max T/m = 100
 $\alpha = 90^\circ$

835 mm	20,0 kg
415 mm	10,0 kg
805 mm FRAZ. / SECT.	20,0 kg

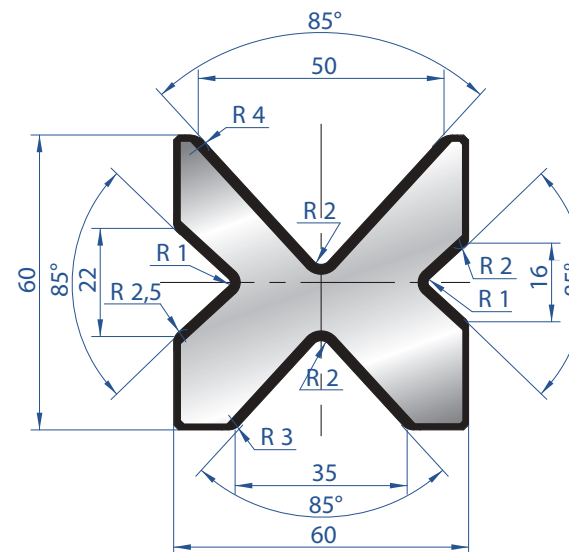




2030

Mat = C45
Max T/m = 80
 $\alpha = 85^\circ - 88^\circ$

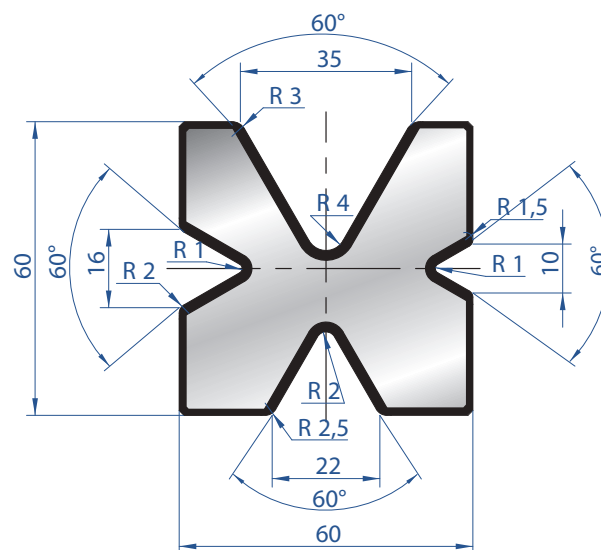
835 mm	16,0 kg
415 mm	8,0 kg
805 mm FRAZ. / SECT.	16,0 kg



2067

Mat = C45
Max T/m = 80
 $\alpha = 85^\circ$

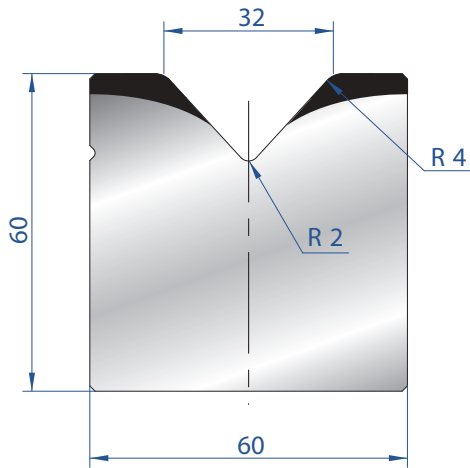
835 mm	16,0 kg
415 mm	8,0 kg
805 mm FRAZ. / SECT.	16,0 kg



2034

Mat = C45
Max T/m = 60
 $\alpha = 60^\circ$

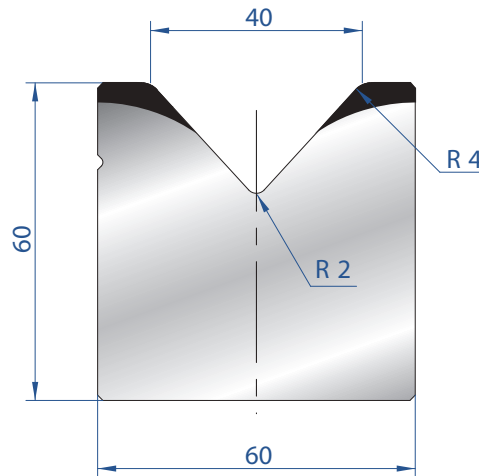
835 mm	18,0 kg
415 mm	9,0 kg
805 mm FRAZ. / SECT.	18,0 kg



2020

Mat = C45
Max T/m = 100
 $\alpha = 85^\circ$

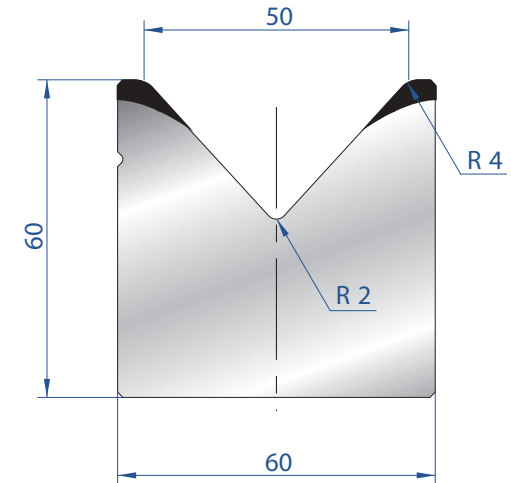
835 mm	22,0 kg
415 mm	11,0 kg
805 mm FRAZ. / SECT.	22,0 kg



2021

Mat = C45
Max T/m = 100
 $\alpha = 85^\circ$

835 mm	21,0 kg
415 mm	10,0 kg
805 mm FRAZ. / SECT.	21,0 kg

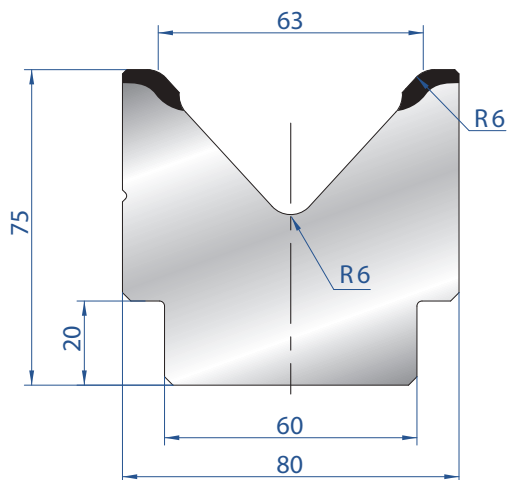


2022

Mat = C45
Max T/m = 80
 $\alpha = 85^\circ$

835 mm	19,0 kg
415 mm	9,0 kg
805 mm FRAZ. / SECT.	19,0 kg

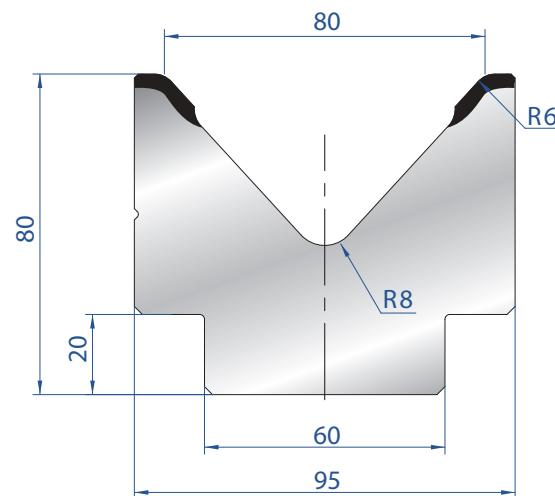




2023

Mat = C45
Max T/m = 100
 $\alpha = 85^\circ$

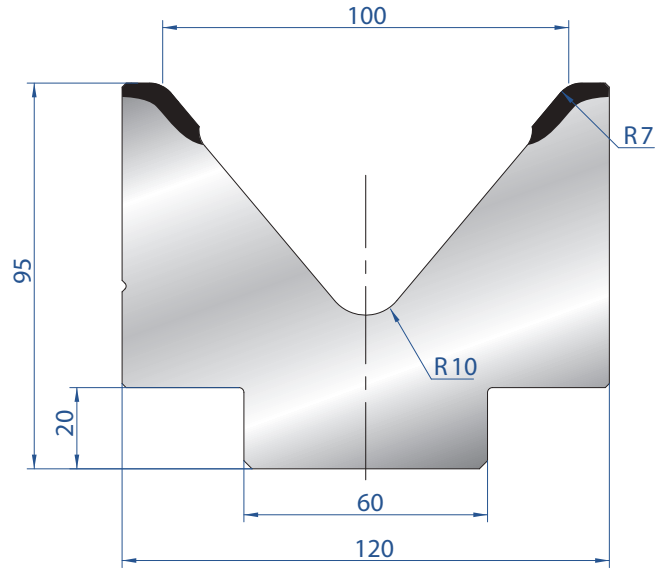
835 mm	28,5 kg
415 mm	15,0 kg
805 mm FRAZ. / SECT.	28,5 kg



2024

Mat = C45
Max T/m = 100
 $\alpha = 85^\circ$

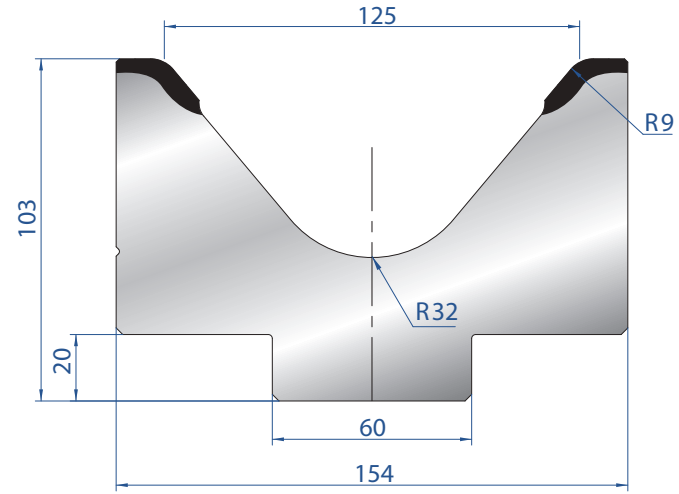
835 mm	38,0 kg
415 mm	19,0 kg
805 mm FRAZ. / SECT.	38,0 kg



2025

Mat = C45
Max T/m = 120
 $\alpha = 80^\circ$

835 mm	50,0 kg
415 mm	25,0 kg
805 mm FRAZ. / SECT.	50,0 kg

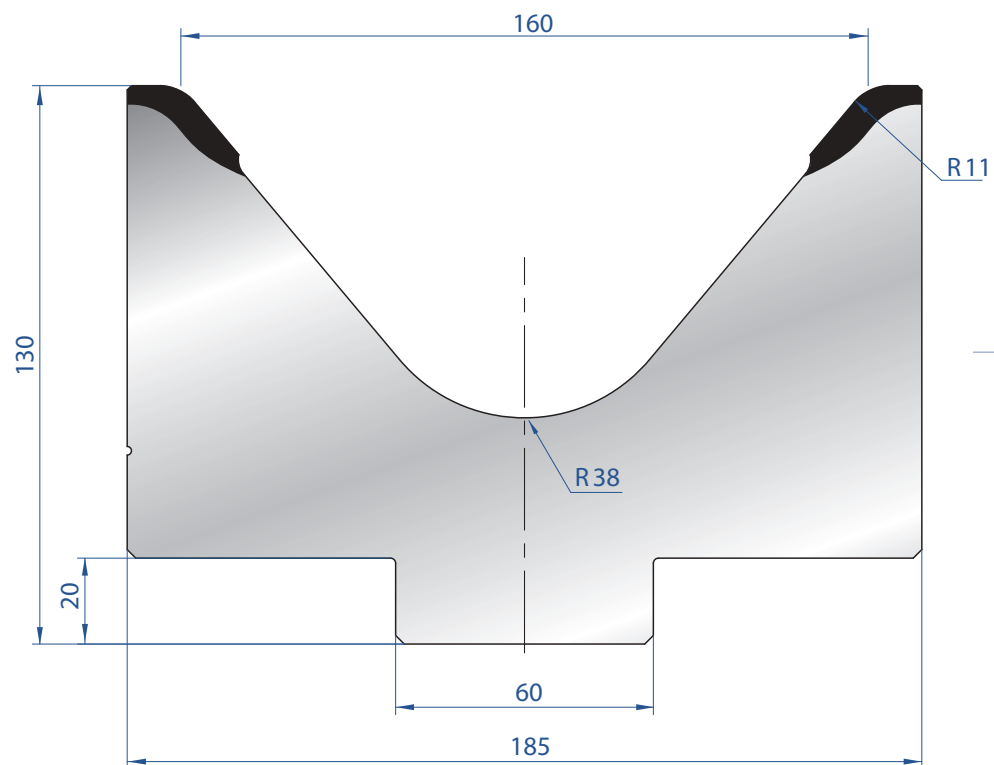


2026

Mat = C45
Max T/m = 120
 $\alpha = 80^\circ$

835 mm	70,0 kg
415 mm	35,0 kg
805 mm FRAZ. / SECT.	70,0 kg

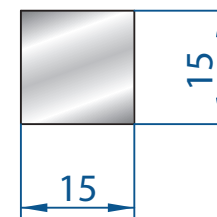




2027

Mat = C45
Max T/m = 120
 $\alpha = 80^\circ$

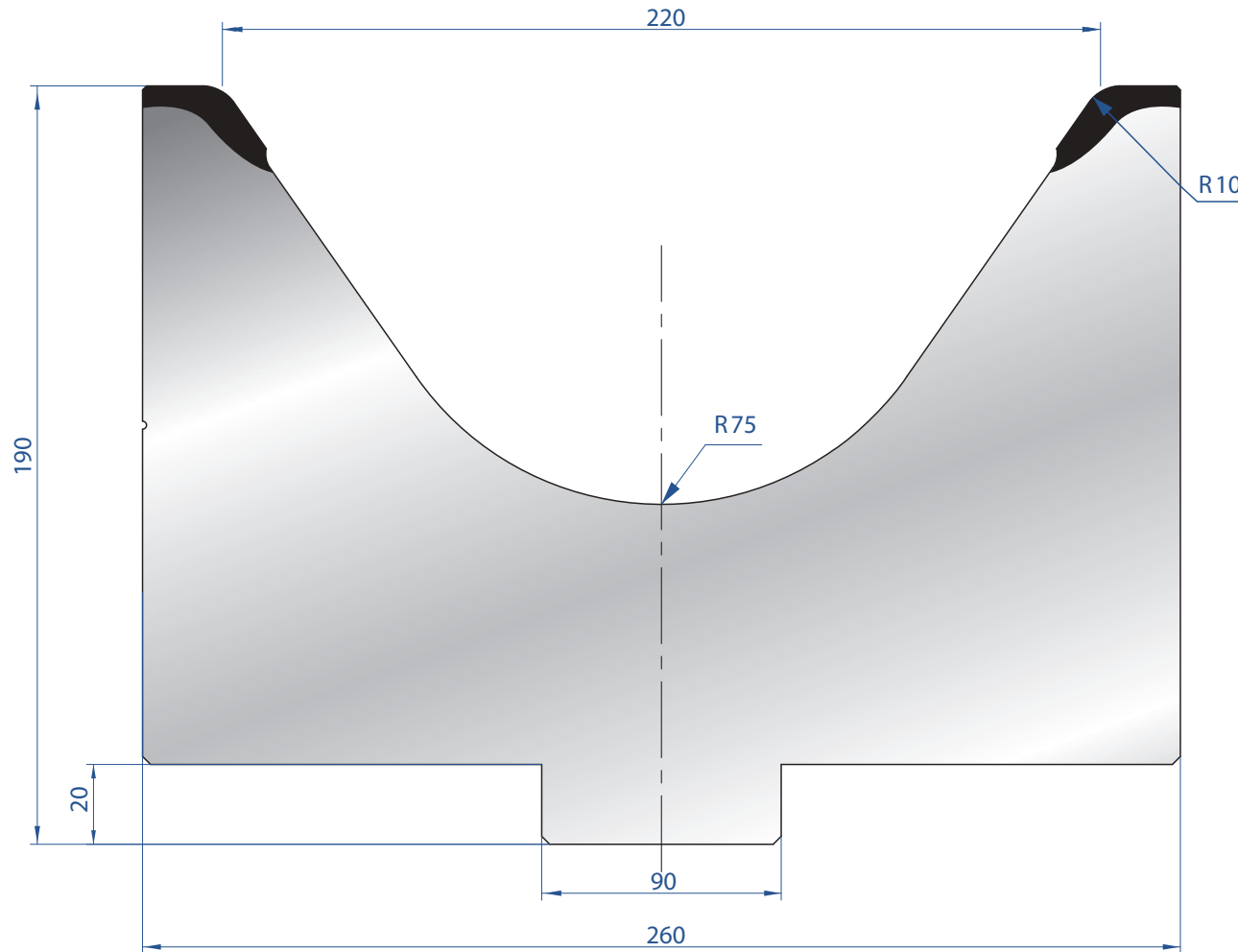
835 mm	91,3 kg
415 mm	51,0 kg
805 mm FRAZ. / SECT.	91,3 kg



8106

TRAFILATI 15X15
Square bar 15X15

835 mm	2,9 kg
--------	--------



7290

Mat = C45
bonificato / tempered

Max T/m = 200

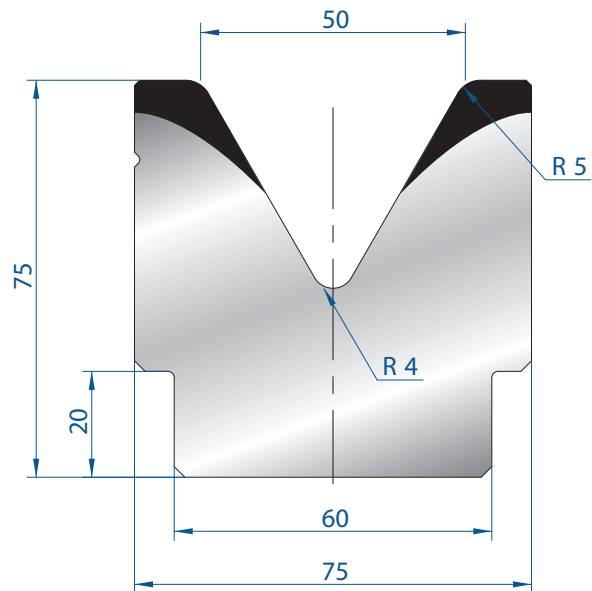
α = 70°

505 mm | 119,0 kg

SOLO LUNGHEZZA 505 MM

AVAILABLE ONLY LENGHT 505 MM

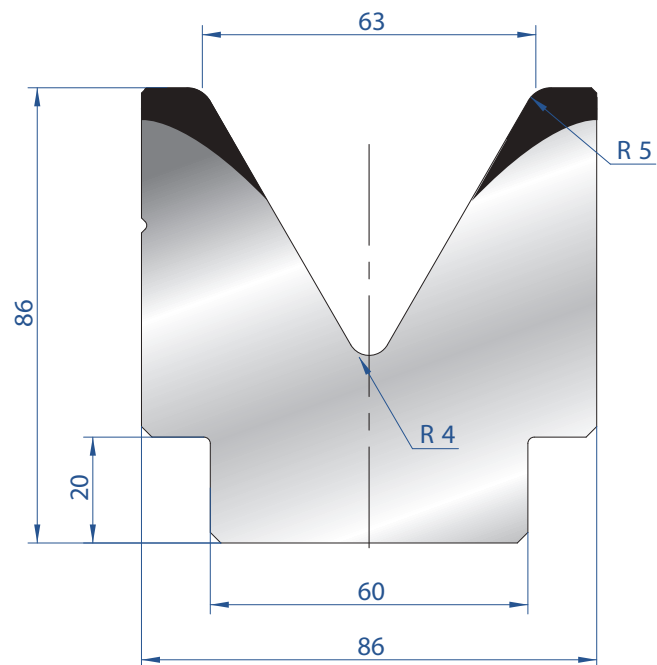




2082

Mat = C45
Max T/m = 100
 $\alpha = 60^\circ$

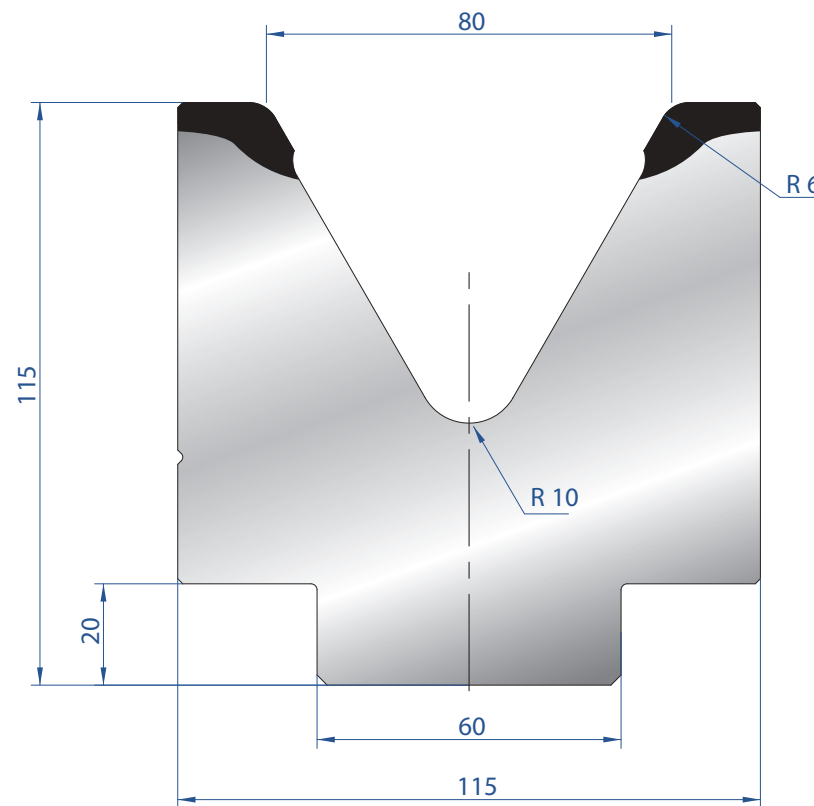
835 mm	28,0 kg
415 mm	14,0 kg
805 mm FRAZ. / SECT.	28,0 kg



2083

Mat = C45
Max T/m = 100
 $\alpha = 60^\circ$

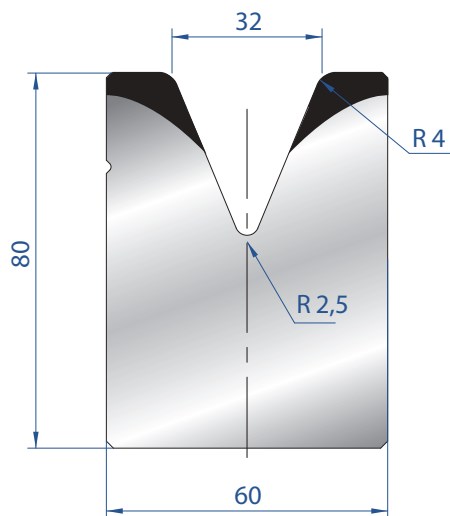
835 mm	34,0 kg
415 mm	17,0 kg
805 mm FRAZ. / SECT.	34,0 kg



2089

Mat = C45
Max T/m = 100
 $\alpha = 60^\circ$

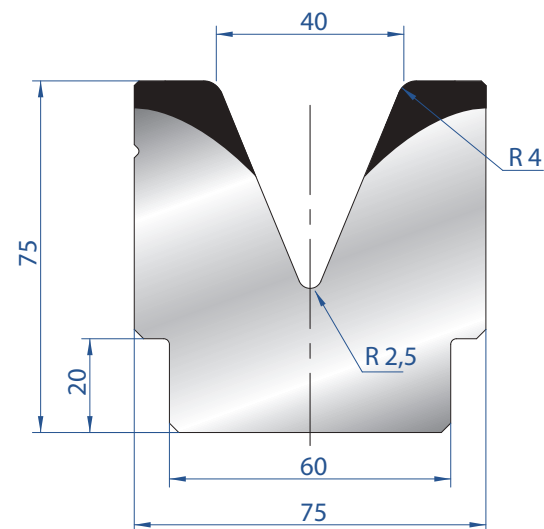
835 mm	60,0 kg
415 mm	30,0 kg
805 mm FRAZ. / SECT.	60,0 kg



2088

Mat = C45
Max T/m = 100
 $\alpha = 45^\circ$

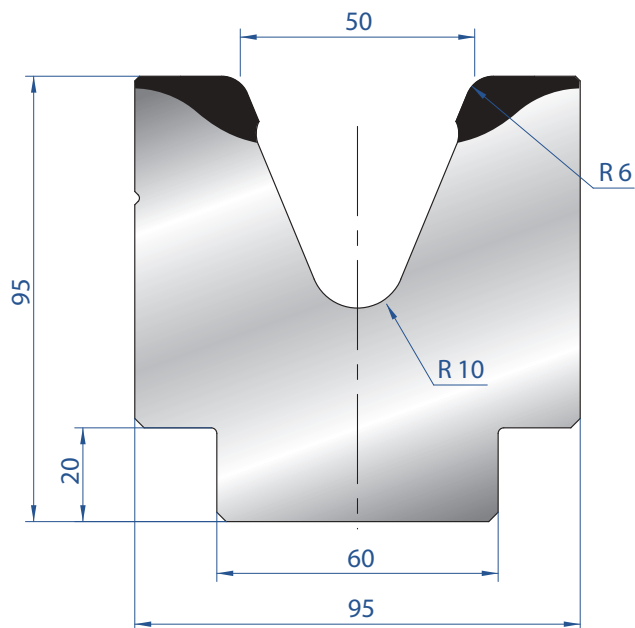
835 mm	28,0 kg
415 mm	14,0 kg
805 mm FRAZ. / SECT.	28,0 kg



2081

Mat = C45
Max T/m = 100
 $\alpha = 45^\circ$

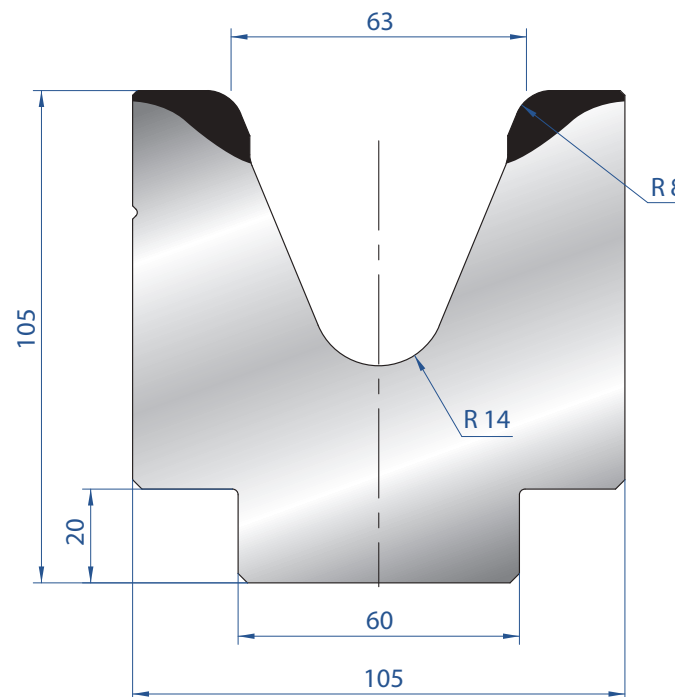
835 mm	33,0 kg
415 mm	16,0 kg
805 mm FRAZ. / SECT.	33,0 kg



2118

Mat = C45
Max T/m = 100
 $\alpha = 45^\circ$

835 mm	36,0 kg
415 mm	18,0 kg
805 mm FRAZ. / SECT.	36,0 kg



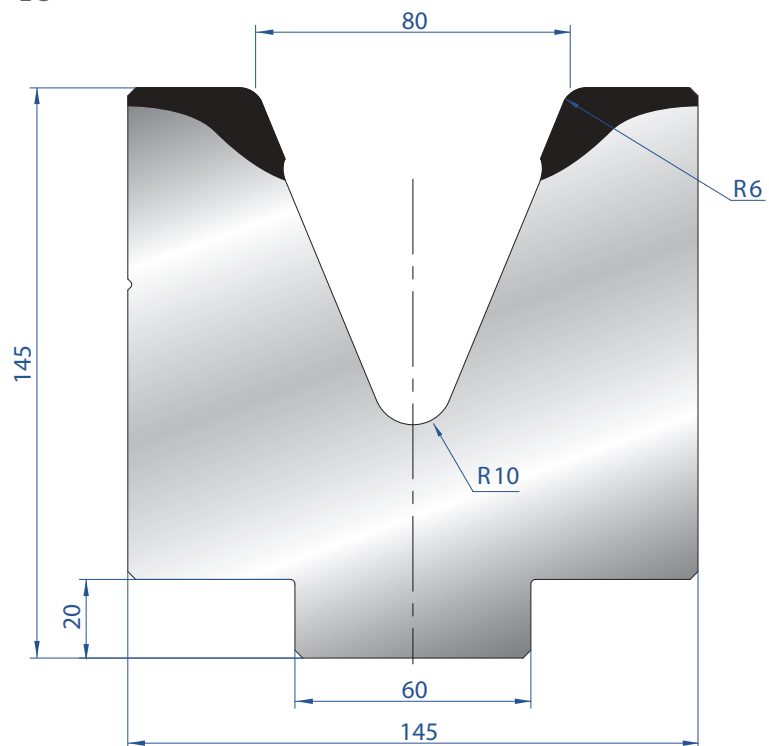
2117

Mat = C45
Max T/m = 100
 $\alpha = 45^\circ$

835 mm	34,0 kg
415 mm	17,0 kg
805 mm FRAZ. / SECT.	34,0 kg



MATRICI 1V - 45° / 1V DIES - 45°

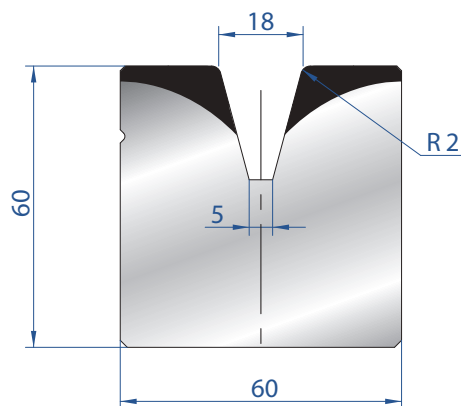


2084

Mat = C45
Max T/m = 100
 $\alpha = 45^\circ$

835 mm	102,0 kg
415 mm	51,0 kg
805 mm FRAZ. / SECT.	102,0 kg

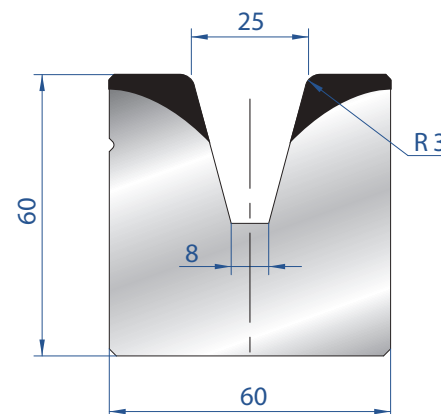
MATRICI 1V - 30° / 1V DIES - 30°



2086

Mat = C45
Max T/m = 100
 $\alpha = 30^\circ$

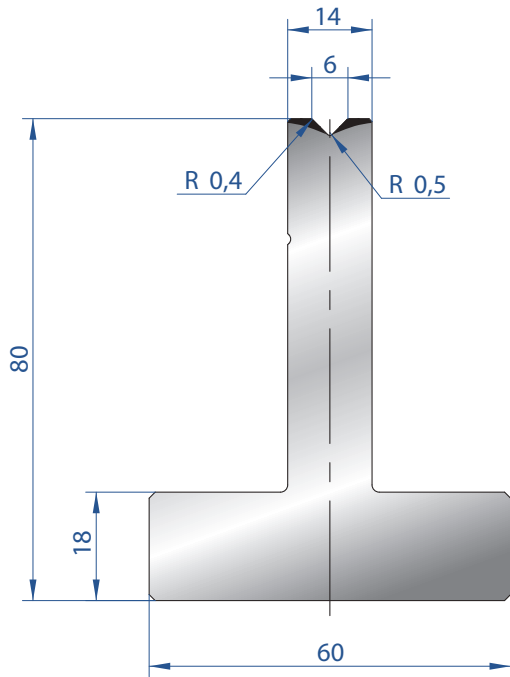
835 mm	22,0 kg
415 mm	11,0 kg
805 mm FRAZ. / SECT.	22,0 kg



2087

Mat = C45
Max T/m = 100
 $\alpha = 30^\circ$

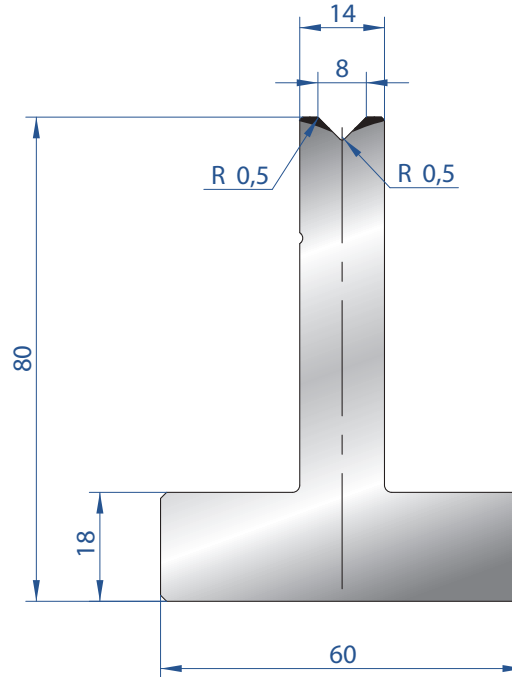
835 mm	22,0 kg
415 mm	11,0 kg
805 mm FRAZ. / SECT.	22,0 kg



3010

Mat = C45
Max T/m = 100
α = 90°

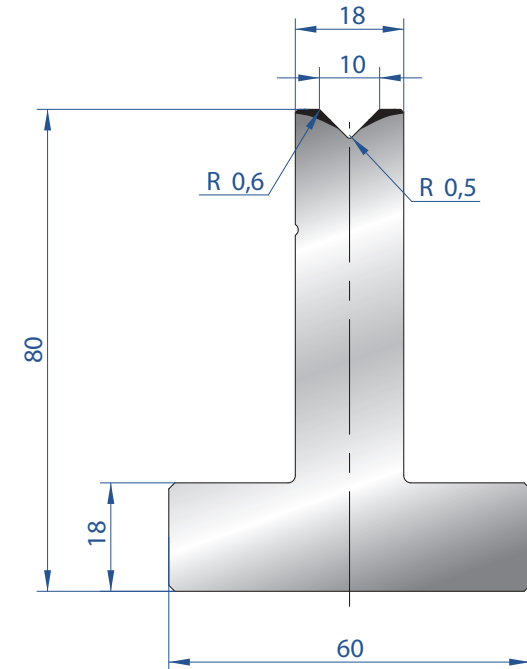
835 mm	13,0 kg
415 mm	6,0 kg
805 mm FRAZ. / SECT.	13,0 kg



3011

Mat = C45
Max T/m = 100
α = 90°

835 mm	13,0 kg
415 mm	6,0 kg
805 mm FRAZ. / SECT.	13,0 kg



3012

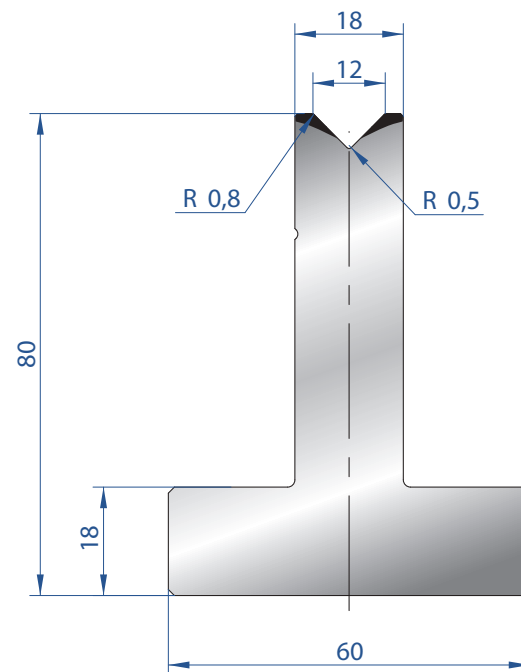
Mat = C45
Max T/m = 100
α = 90°

835 mm	15,0 kg
415 mm	7,0 kg
805 mm FRAZ. / SECT.	15,0 kg



MATRICI T H80 - 90° / T DIES H80 - 90°

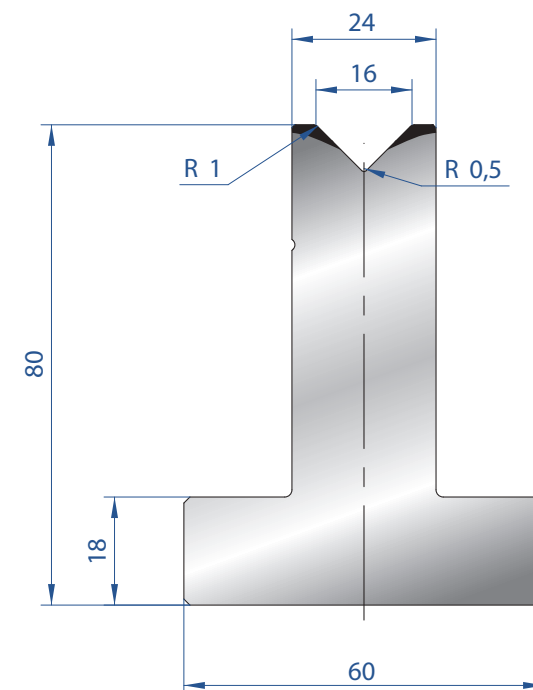
AMADA
PROMECAM STYLE



3013

Mat = C45
Max T/m = 100
 $\alpha = 90^\circ$

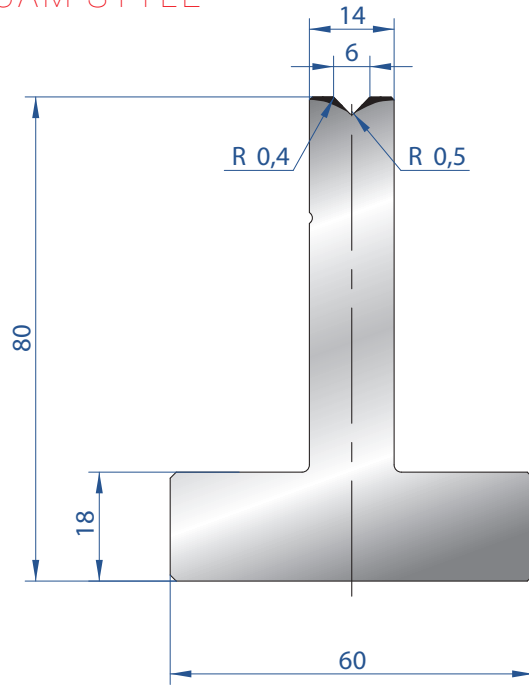
835 mm	15,0 kg
415 mm	7,0 kg
805 mm FRAZ. / SECT.	15,0 kg



3014

Mat = C45
Max T/m = 100
 $\alpha = 90^\circ$

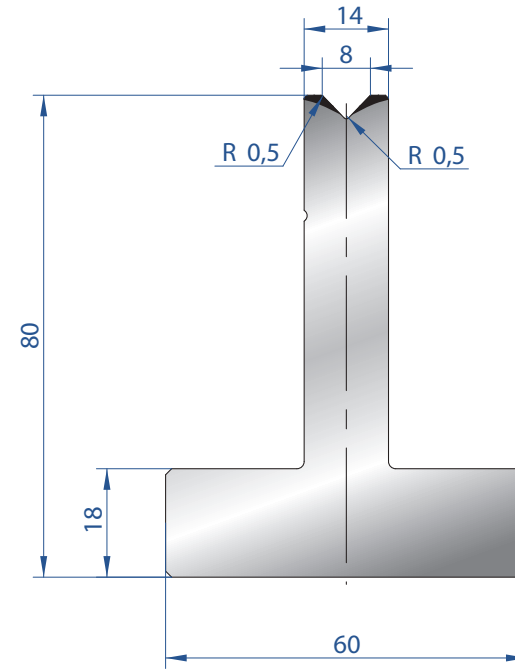
835 mm	18,0 kg
415 mm	9,0 kg
805 mm FRAZ. / SECT.	18,0 kg



3080

Mat = C45
Max T/m = 100
 $\alpha = 88^\circ$

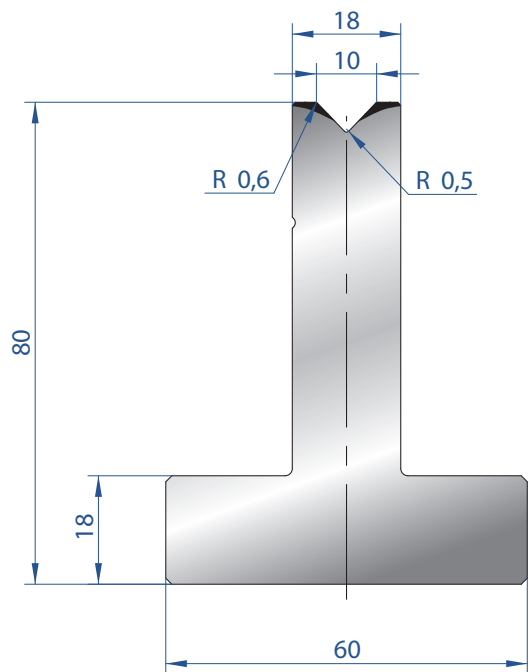
835 mm	13,0 kg
415 mm	6,0 kg
805 mm FRAZ. / SECT.	13,0 kg



3081

Mat = C45
Max T/m = 100
 $\alpha = 88^\circ$

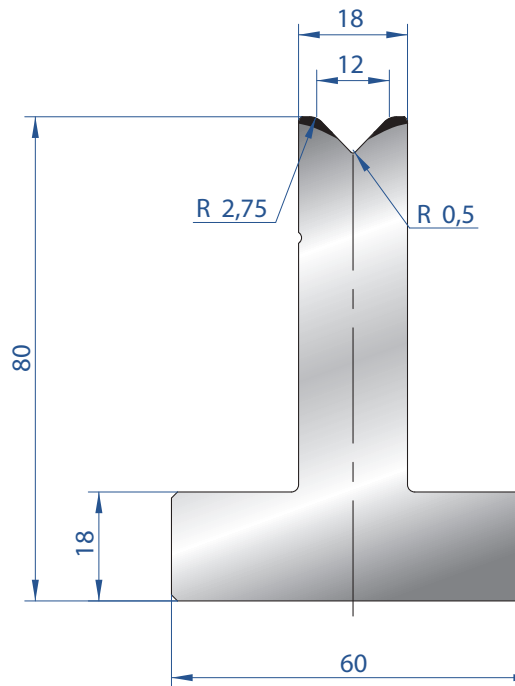
835 mm	13,0 kg
415 mm	6,0 kg
805 mm FRAZ. / SECT.	13,0 kg



3082

Mat = C45
Max T/m = 100
 $\alpha = 88^\circ$

835 mm	15,0 kg
415 mm	7,0 kg
805 mm FRAZ. / SECT.	15,0 kg

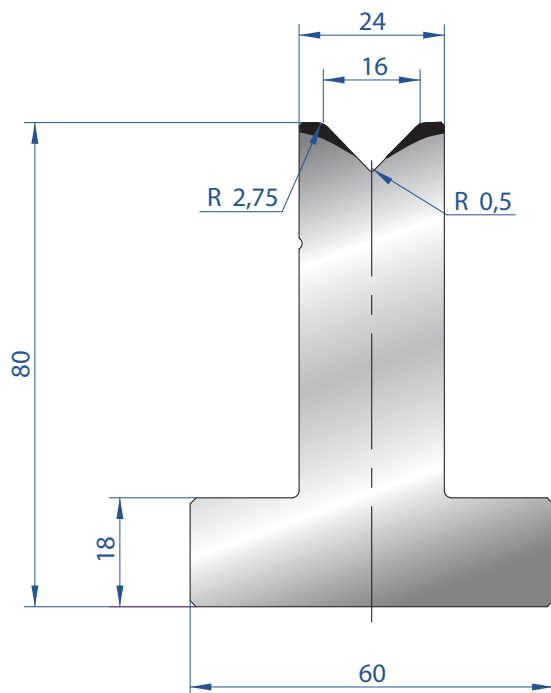


3015

Mat = C45
Max T/m = 100
 $\alpha = 88^\circ$

835 mm	15,0 kg
415 mm	7,0 kg
805 mm FRAZ. / SECT.	15,0 kg

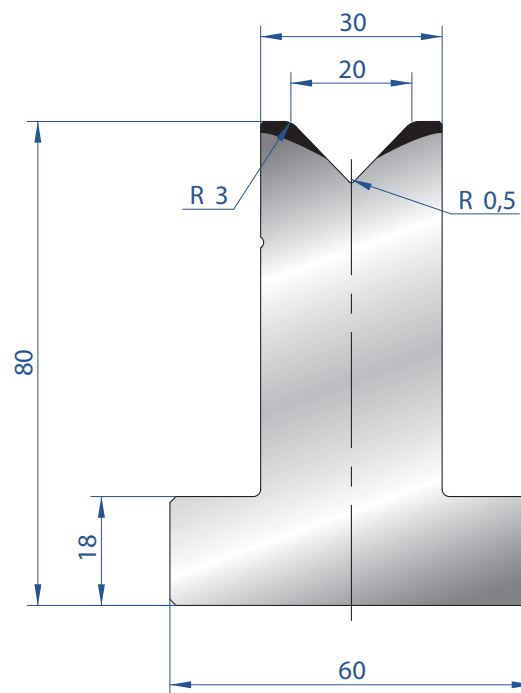




3016

Mat = C45
Max T/m = 100
 $\alpha = 88^\circ$

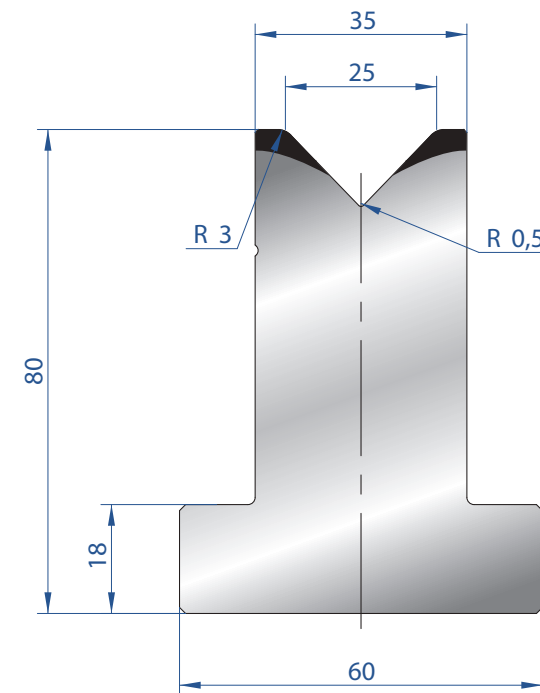
835 mm	18,0 kg
415 mm	9,0 kg
805 mm FRAZ. / SECT.	18,0 kg



3017

Mat = C45
Max T/m = 100
 $\alpha = 88^\circ$

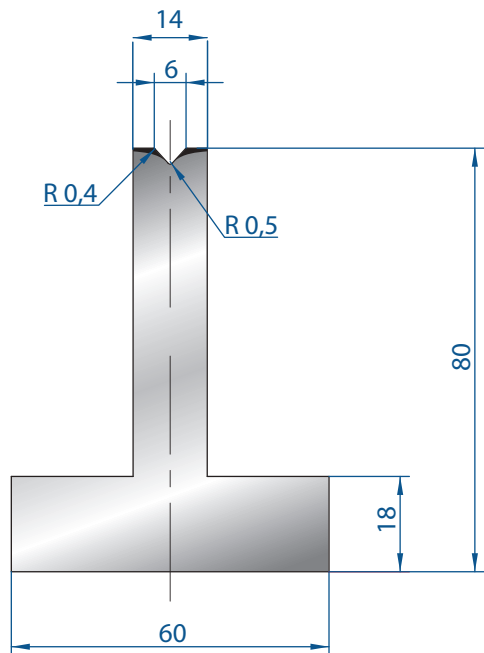
835 mm	19,0 kg
415 mm	9,0 kg
805 mm FRAZ. / SECT.	19,0 kg



3018

Mat = C45
Max T/m = 100
 $\alpha = 88^\circ$

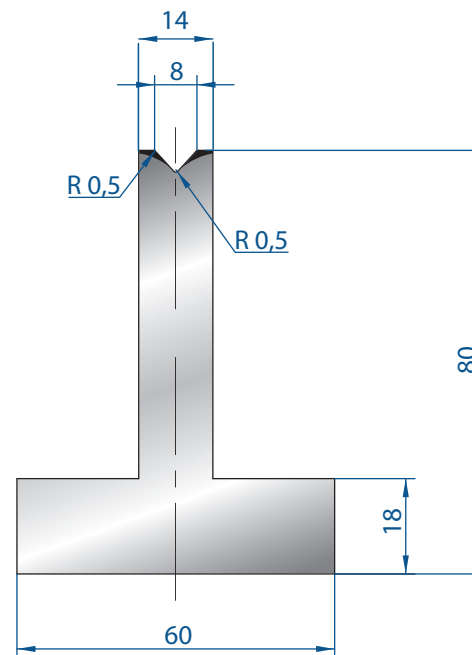
835 mm	20,0 kg
415 mm	10,0 kg
805 mm FRAZ. / SECT.	20,0 kg



3086

Mat = C45
Max T/m = 100
 $\alpha = 85^\circ$

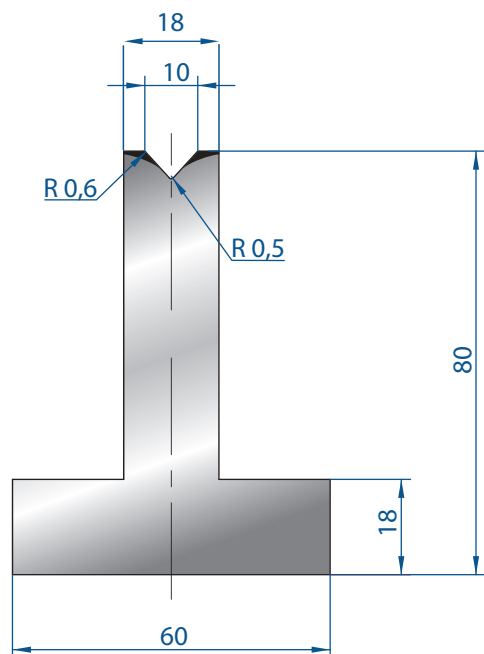
835 mm	13,0 kg
415 mm	6,0 kg
805 mm FRAZ. / SECT.	13,0 kg



3087

Mat = C45
Max T/m = 100
 $\alpha = 85^\circ$

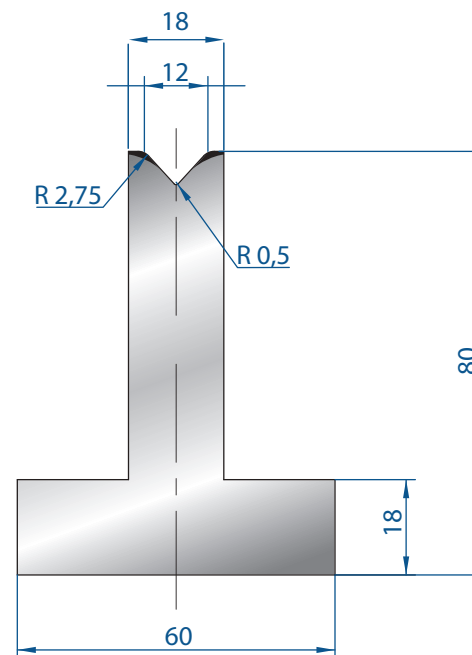
835 mm	13,0 kg
415 mm	6,0 kg
805 mm FRAZ. / SECT.	13,0 kg



3088

Mat = C45
Max T/m = 100
 $\alpha = 85^\circ$

835 mm	13,0 kg
415 mm	6,0 kg
805 mm FRAZ. / SECT.	13,0 kg

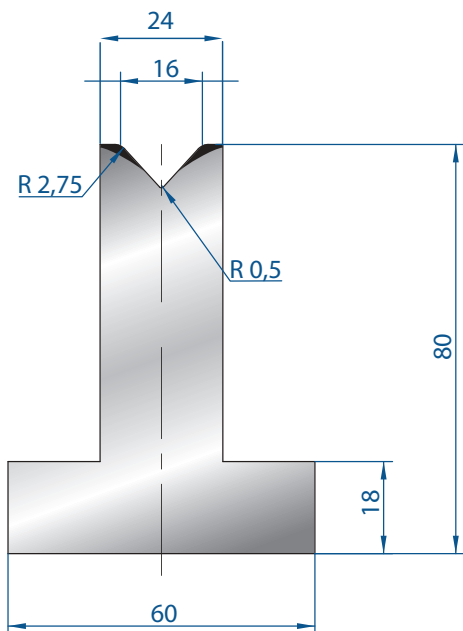


3089

Mat = C45
Max T/m = 100
 $\alpha = 85^\circ$

835 mm	13,0 kg
415 mm	6,0 kg
805 mm FRAZ. / SECT.	13,0 kg

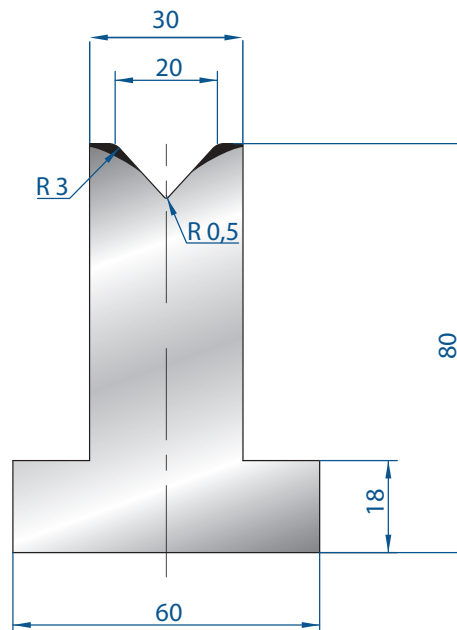




3090

Mat = C45
Max T/m = 100
 $\alpha = 85^\circ$

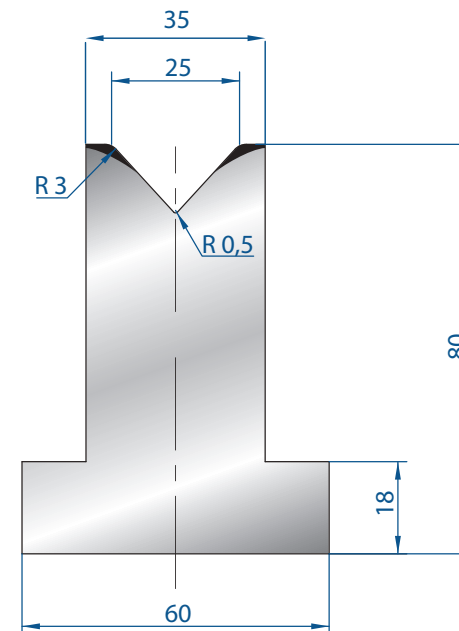
835 mm	13,0 kg
415 mm	6,0 kg
805 mm FRAZ. / SECT.	13,0 kg



3091

Mat = C45
Max T/m = 100
 $\alpha = 85^\circ$

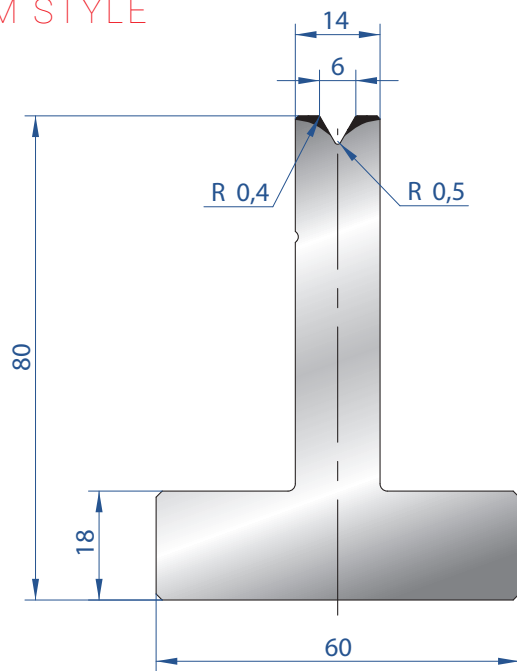
835 mm	13,0 kg
415 mm	6,0 kg
805 mm FRAZ. / SECT.	13,0 kg



3092

Mat = C45
Max T/m = 100
 $\alpha = 85^\circ$

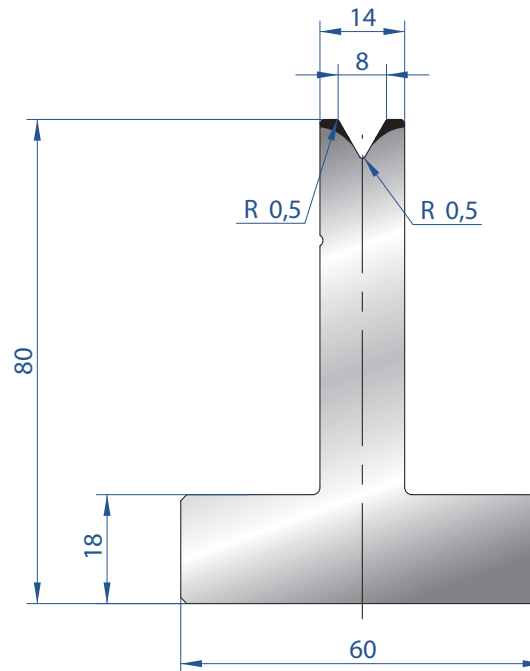
835 mm	13,0 kg
415 mm	6,0 kg
805 mm FRAZ. / SECT.	13,0 kg



3019

Mat = C45
Max T/m = 60
 $\alpha = 60^\circ$

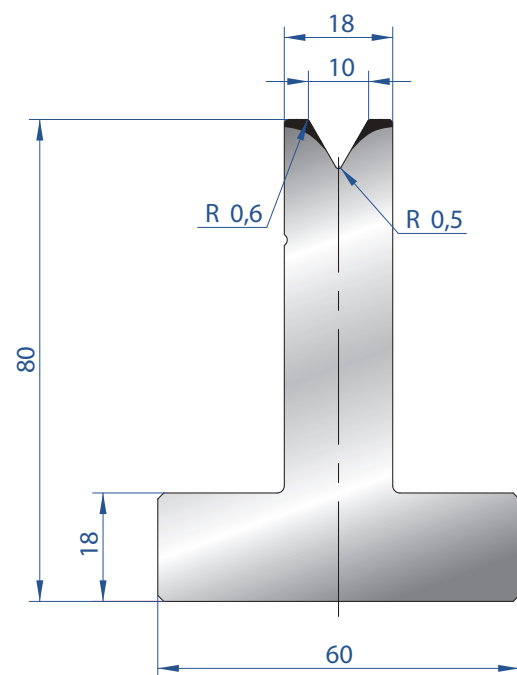
835 mm	13,0 kg
415 mm	6,0 kg
805 mm	13,0 kg
FRAZ. / SECT.	



3020

Mat = C45
Max T/m = 60
 $\alpha = 60^\circ$

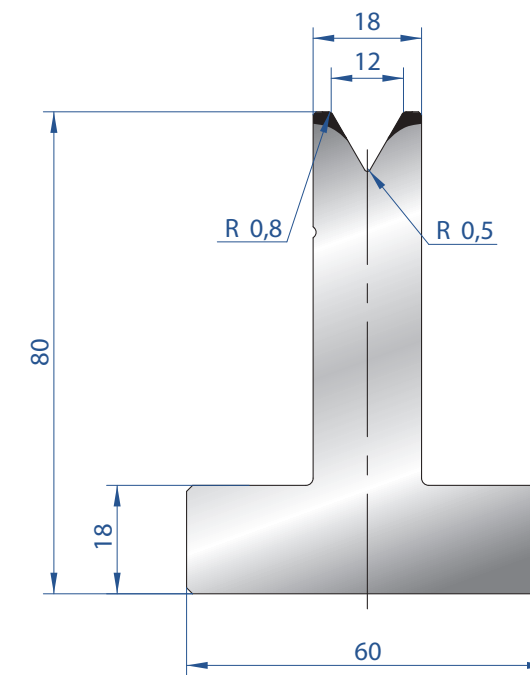
835 mm	13,0 kg
415 mm	6,0 kg
805 mm	13,0 kg
FRAZ. / SECT.	



3021

Mat = C45
Max T/m = 60
 $\alpha = 60^\circ$

835 mm	13,0 kg
415 mm	6,0 kg
805 mm	13,0 kg
FRAZ. / SECT.	

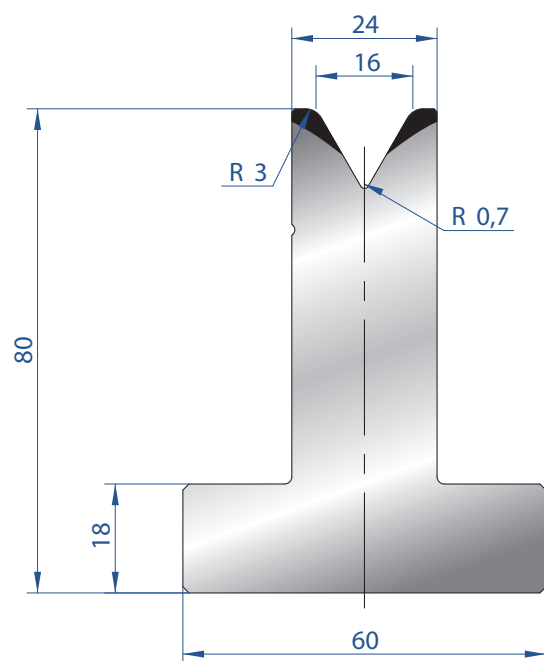


3022

Mat = C45
Max T/m = 60
 $\alpha = 60^\circ$

835 mm	13,0 kg
415 mm	6,0 kg
805 mm	13,0 kg
FRAZ. / SECT.	



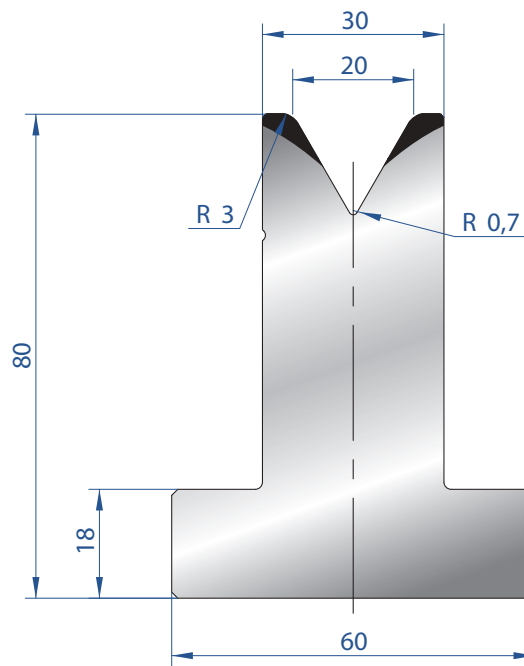


3023

Mat = C45
Max T/m = 75

$\alpha = 60^\circ$

835 mm	18,0 kg
415 mm	9,0 kg
805 mm	18,0 kg
FRAZ. / SECT.	

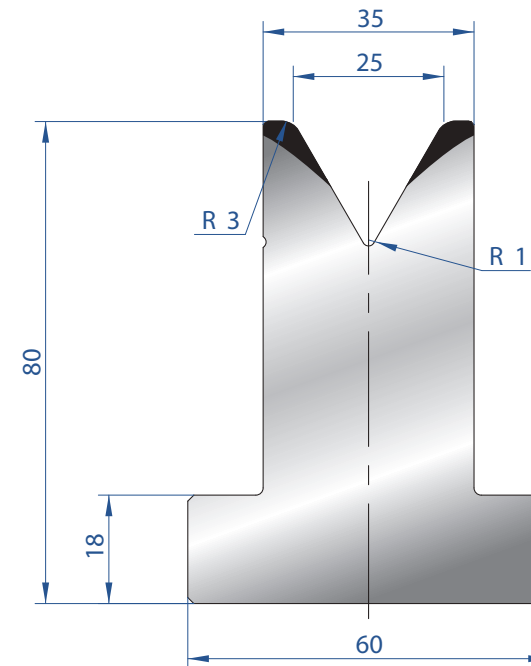


3024

Mat = C45
Max T/m = 70

$\alpha = 60^\circ$

835 mm	19,0 kg
415 mm	9,0 kg
805 mm	19,0 kg
FRAZ. / SECT.	

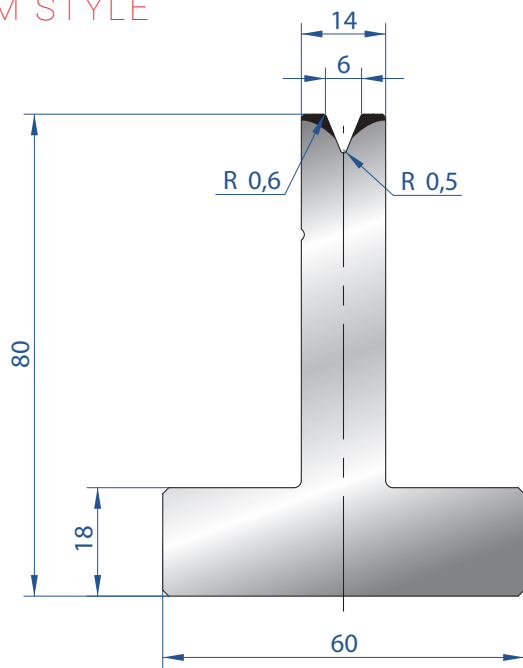


3025

Mat = C45
Max T/m = 65

$\alpha = 60^\circ$

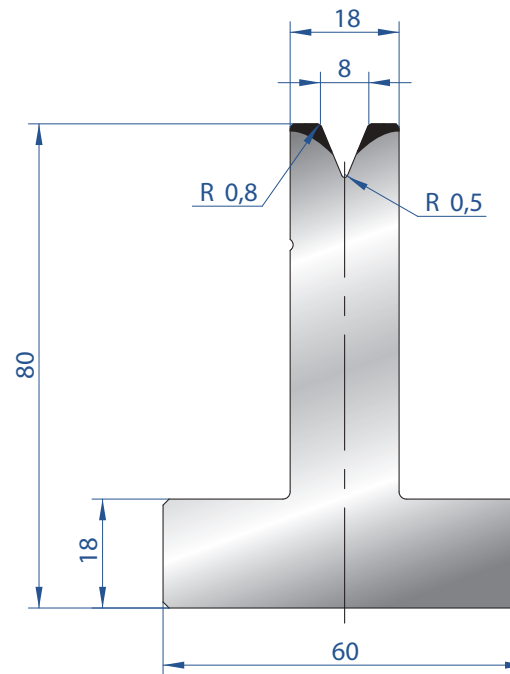
835 mm	20,0 kg
415 mm	10,0 kg
805 mm	20,0 kg
FRAZ. / SECT.	



3026

Mat = C45
Max T/m = 50
 $\alpha = 45^\circ$

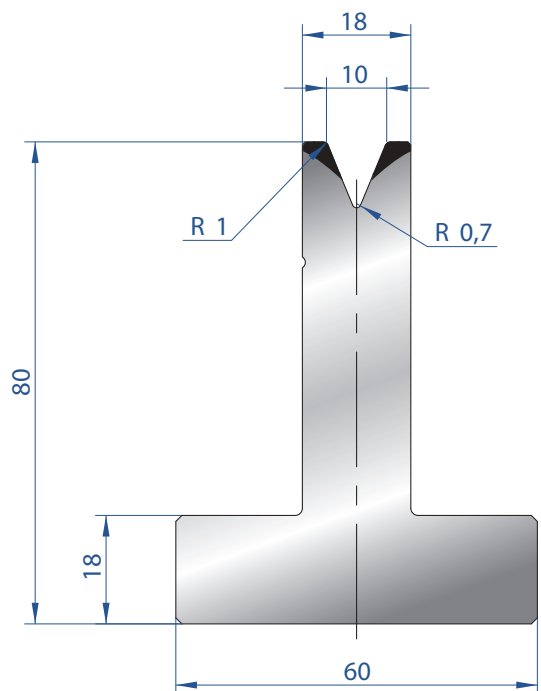
835 mm	13,0 kg
415 mm	6,0 kg
805 mm	13,0 kg
FRAZ. / SECT.	



3027

Mat = C45
Max T/m = 50
 $\alpha = 45^\circ$

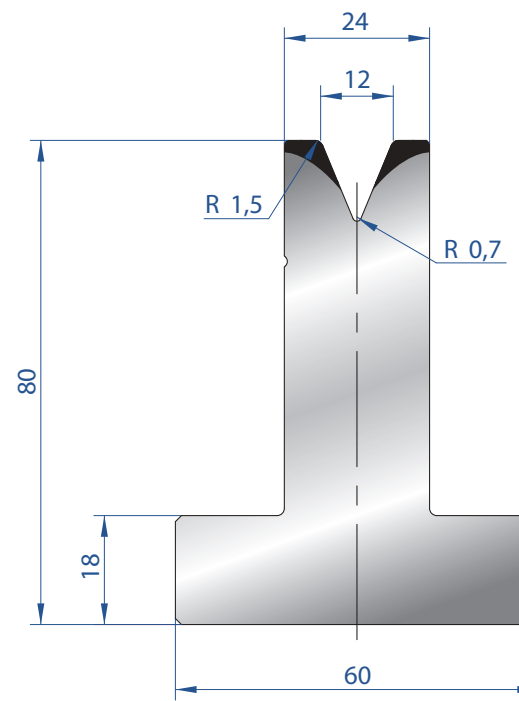
835 mm	15,0 kg
415 mm	7,0 kg
805 mm	15,0 kg
FRAZ. / SECT.	



3028

Mat = C45
Max T/m = 50
 $\alpha = 45^\circ$

835 mm	15,0 kg
415 mm	7,0 kg
805 mm	15,0 kg
FRAZ. / SECT.	

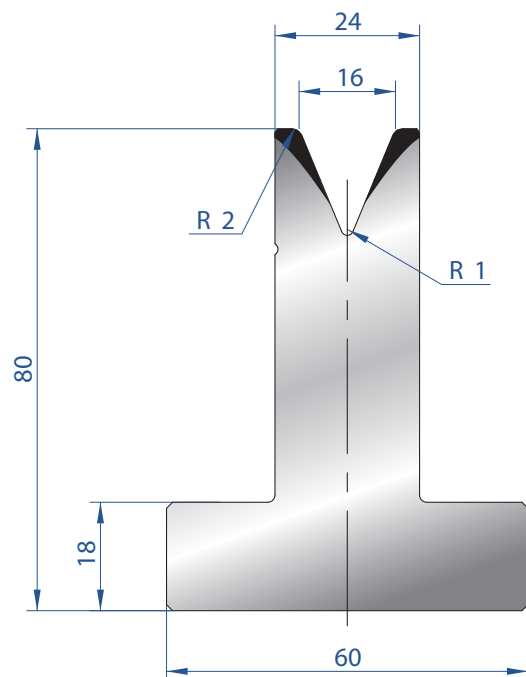


3029

Mat = C45
Max T/m = 50
 $\alpha = 45^\circ$

835 mm	18,0 kg
415 mm	9,0 kg
805 mm	18,0 kg
FRAZ. / SECT.	

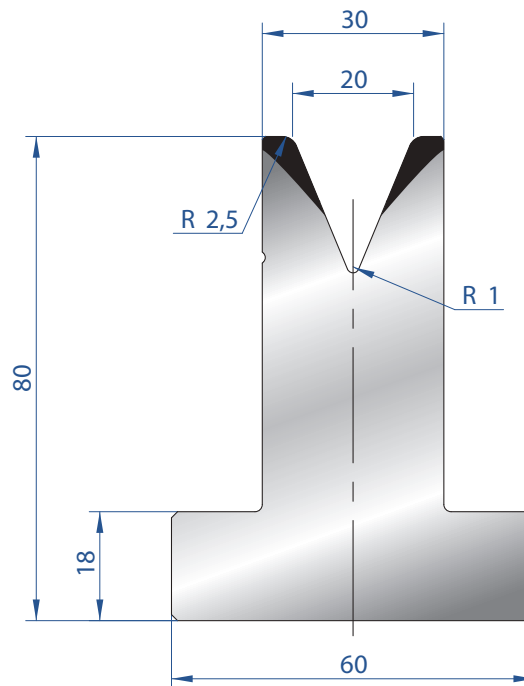




3030

Mat = C45
Max T/m = 50
 $\alpha = 45^\circ$

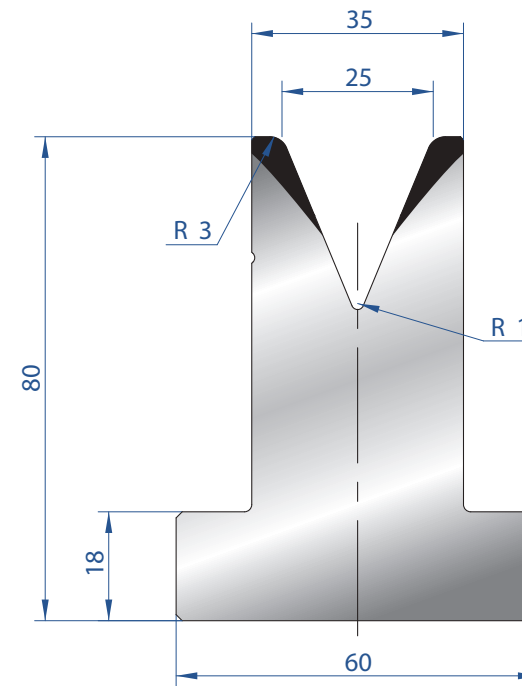
835 mm	18,0 kg
415 mm	9,0 kg
805 mm FRAZ. / SECT.	18,0 kg



3031

Mat = C45
Max T/m = 50
 $\alpha = 45^\circ$

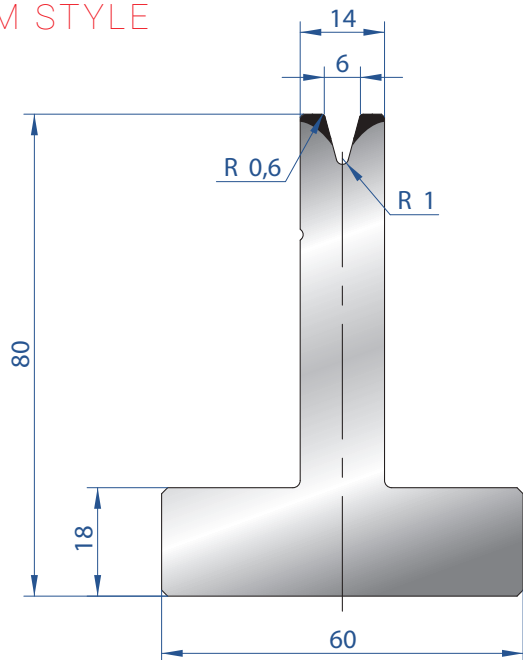
835 mm	18,0 kg
415 mm	9,0 kg
805 mm FRAZ. / SECT.	18,0 kg



3032

Mat = C45
Max T/m = 50
 $\alpha = 45^\circ$

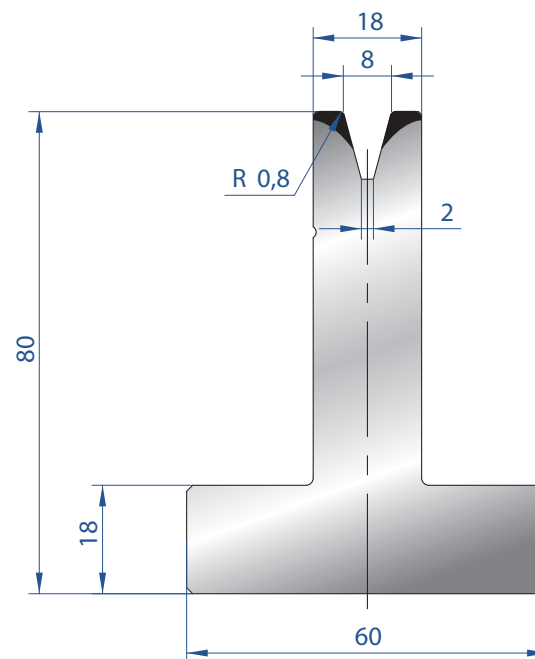
835 mm	20,0 kg
415 mm	10,0 kg
805 mm FRAZ. / SECT.	20,0 kg



3042

Mat = C45
Max T/m = 35
 $\alpha = 30^\circ$

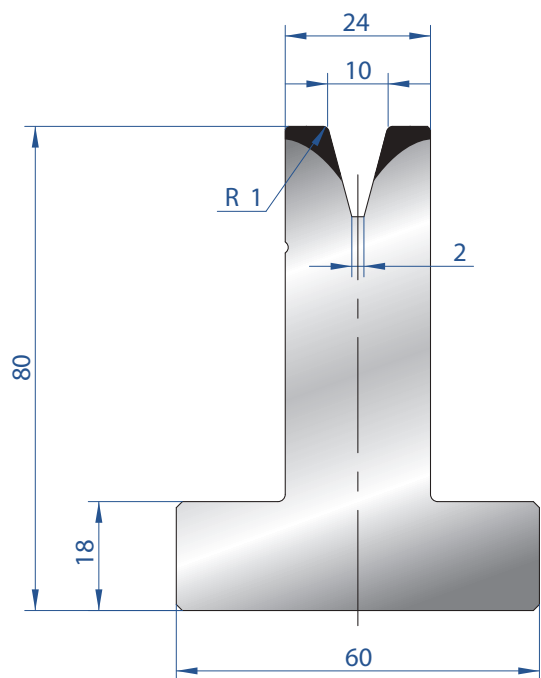
835 mm	13,0 kg
415 mm	6,0 kg
805 mm	13,0 kg
FRAZ. / SECT.	



3043

Mat = C45
Max T/m = 40
 $\alpha = 30^\circ$

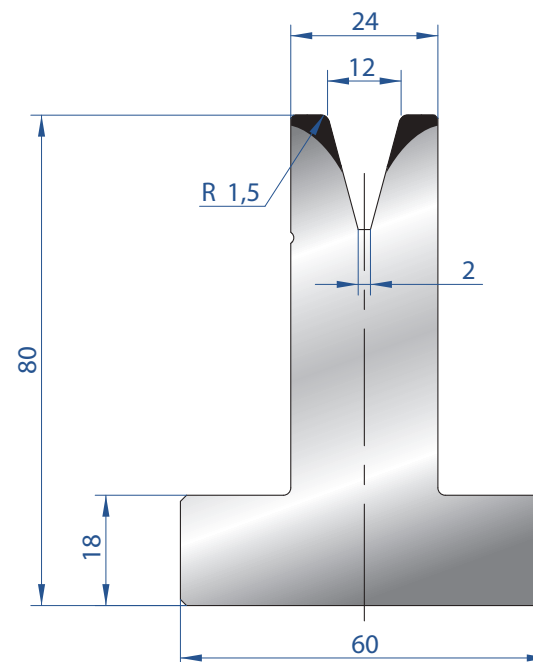
835 mm	14,0 kg
415 mm	7,0 kg
805 mm	14,0 kg
FRAZ. / SECT.	



3044

Mat = C45
Max T/m = 50
 $\alpha = 30^\circ$

835 mm	17,0 kg
415 mm	8,0 kg
805 mm	17,0 kg
FRAZ. / SECT.	

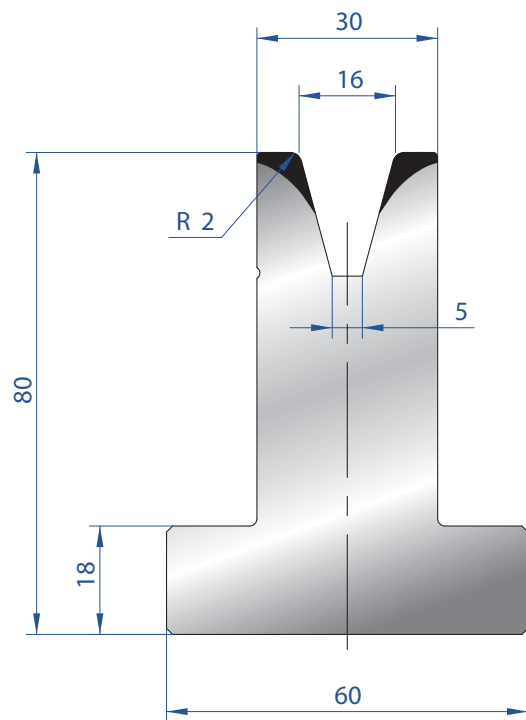


3045

Mat = C45
Max T/m = 50
 $\alpha = 30^\circ$

835 mm	17,0 kg
415 mm	8,0 kg
805 mm	17,0 kg
FRAZ. / SECT.	

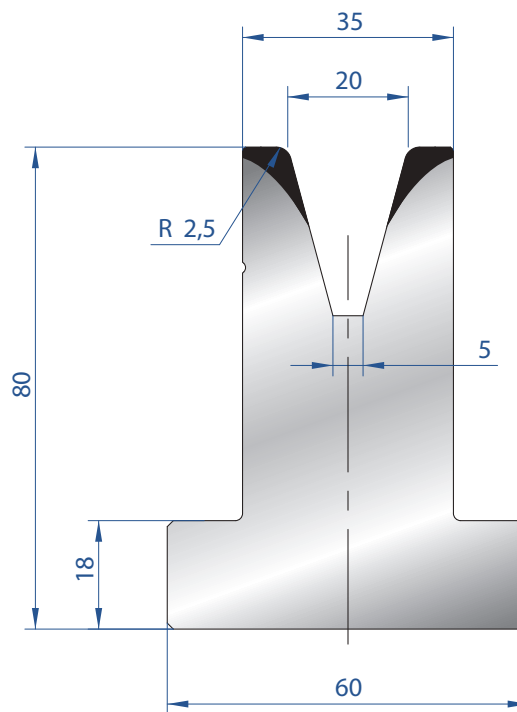




3046

Mat = C45
Max T/m = 50
 $\alpha = 30^\circ$

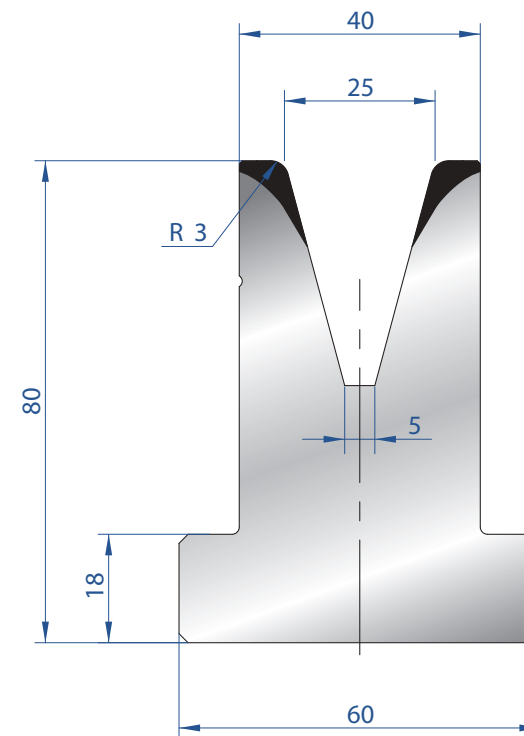
835 mm	18,0 kg
415 mm	9,0 kg
805 mm FRAZ. / SECT.	18,0 kg



3047

Mat = C45
Max T/m = 55
 $\alpha = 30^\circ$

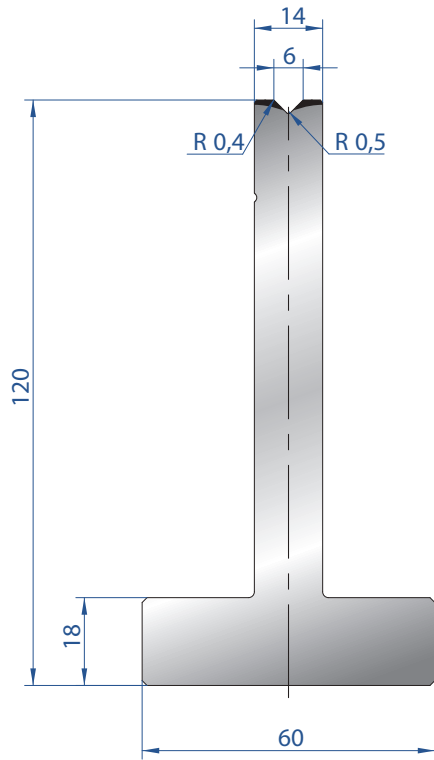
835 mm	20,0 kg
415 mm	10,0 kg
805 mm FRAZ. / SECT.	20,0 kg



3048

Mat = C45
Max T/m = 55
 $\alpha = 30^\circ$

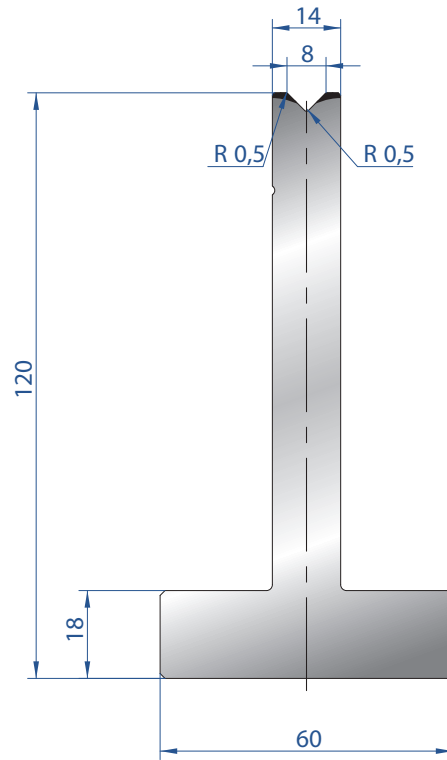
835 mm	20,0 kg
415 mm	10,0 kg
805 mm FRAZ. / SECT.	20,0 kg



3050

Mat = C45
Max T/m = 100
 $\alpha = 90^\circ$

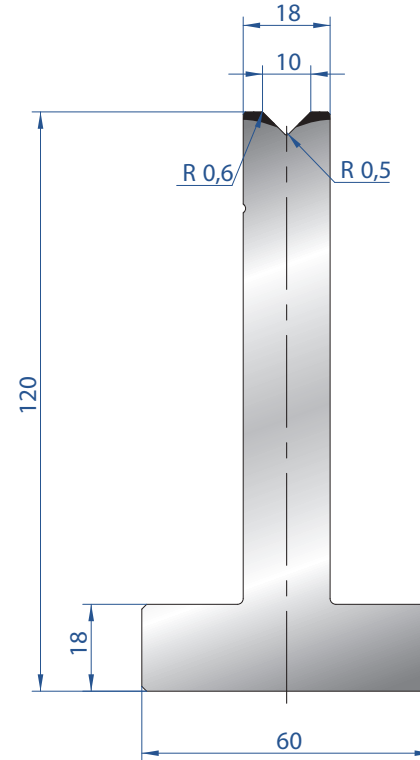
835 mm	17,0 kg
415 mm	8,0 kg
805 mm FRAZ. / SECT.	17,0 kg



3051

Mat = C45
Max T/m = 100
 $\alpha = 90^\circ$

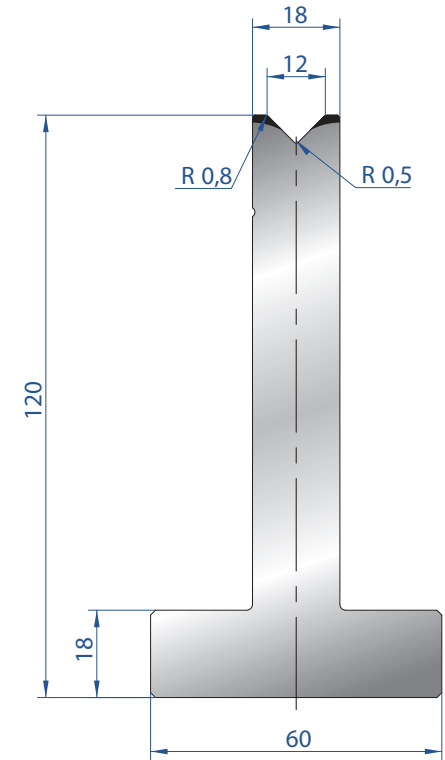
835 mm	17,0 kg
415 mm	8,0 kg
805 mm FRAZ. / SECT.	17,0 kg



3052

Mat = C45
Max T/m = 100
 $\alpha = 90^\circ$

835 mm	18,0 kg
415 mm	9,0 kg
805 mm FRAZ. / SECT.	18,0 kg

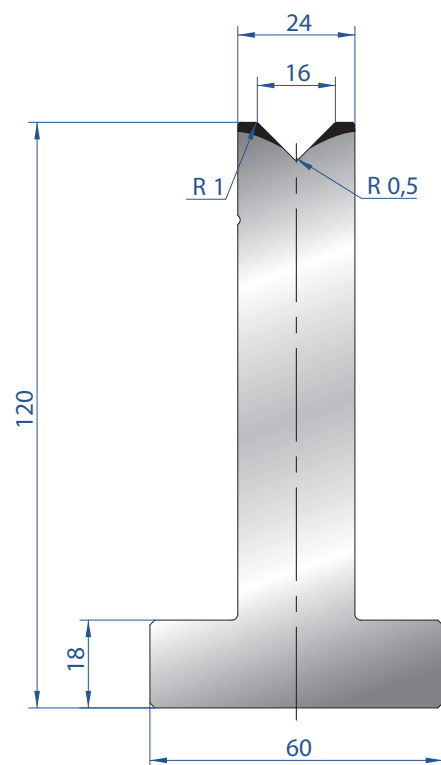


3053

Mat = C45
Max T/m = 100
 $\alpha = 90^\circ$

835 mm	18,0 kg
415 mm	9,0 kg
805 mm FRAZ. / SECT.	18,0 kg





3054

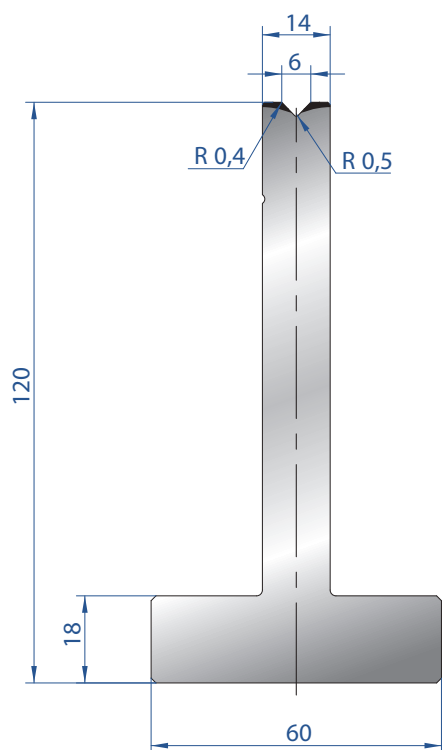
Mat = C45

Max T/m = 100

$\alpha = 90^\circ$

835 mm	22,0 kg
415 mm	11,0 kg
805 mm FRAZ. / SECT.	22,0 kg

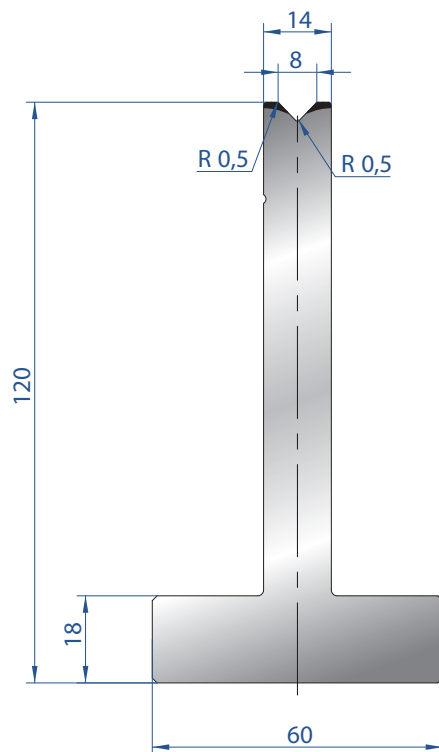




3083

Mat = C45
Max T/m = 100
 $\alpha = 88^\circ$

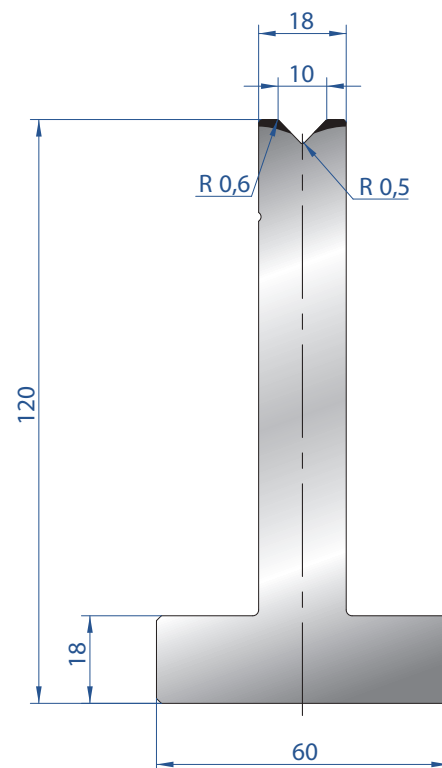
835 mm	17,0 kg
415 mm	8,0 kg
805 mm FRAZ. / SECT.	17,0 kg



3084

Mat = C45
Max T/m = 100
 $\alpha = 88^\circ$

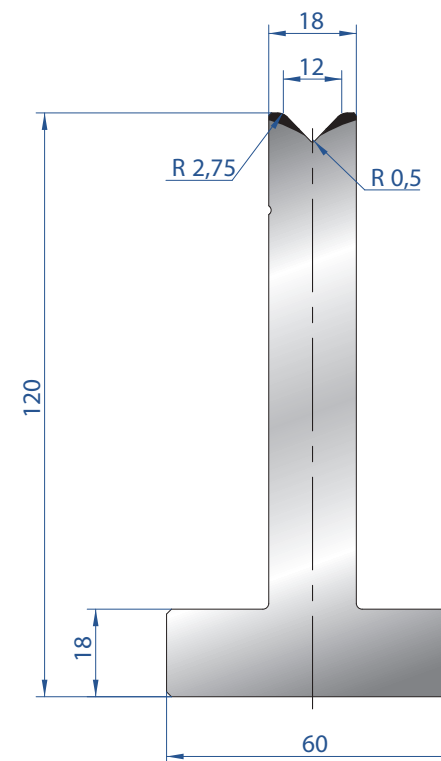
835 mm	17,0 kg
415 mm	8,0 kg
805 mm FRAZ. / SECT.	17,0 kg



3085

Mat = C45
Max T/m = 100
 $\alpha = 88^\circ$

835 mm	18,0 kg
415 mm	9,0 kg
805 mm FRAZ. / SECT.	18,0 kg

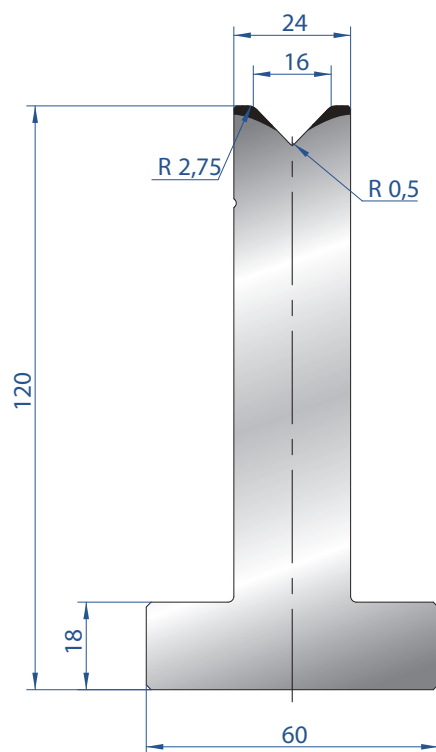


3055

Mat = C45
Max T/m = 100
 $\alpha = 88^\circ$

835 mm	18,0 kg
415 mm	9,0 kg
805 mm FRAZ. / SECT.	18,0 kg

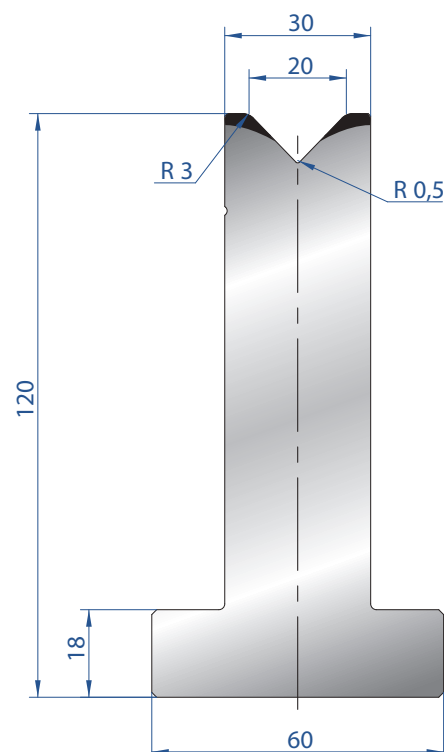




3056

Mat = C45
Max T/m = 100
 $\alpha = 88^\circ$

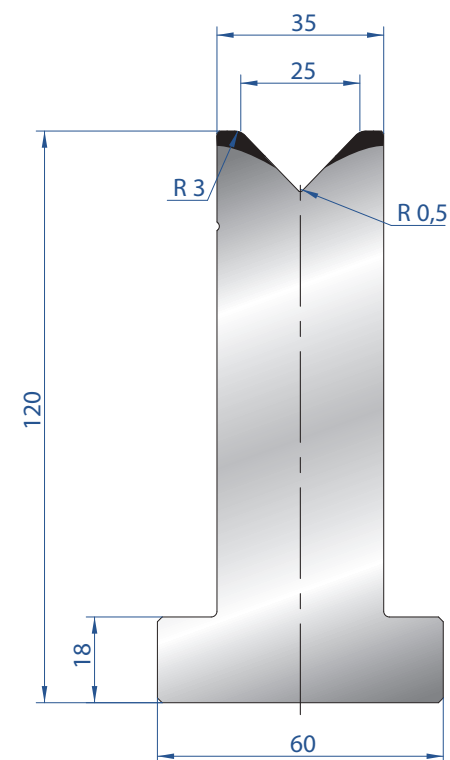
835 mm	22,0 kg
415 mm	11,0 kg
805 mm FRAZ. / SECT.	22,0 kg



3057

Mat = C45
Max T/m = 100
 $\alpha = 88^\circ$

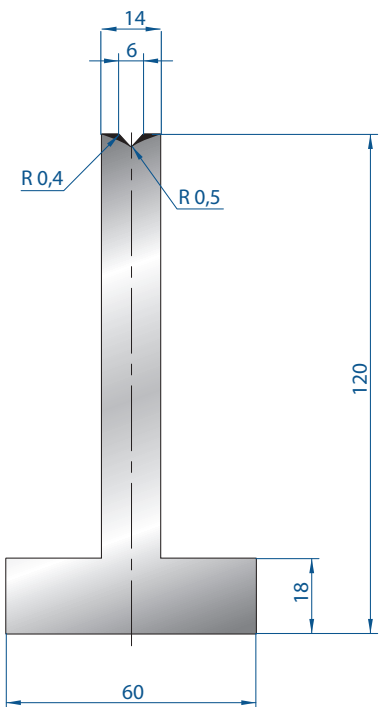
835 mm	27,0 kg
415 mm	13,0 kg
805 mm FRAZ. / SECT.	27,0 kg



3058

Mat = C45
Max T/m = 100
 $\alpha = 88^\circ$

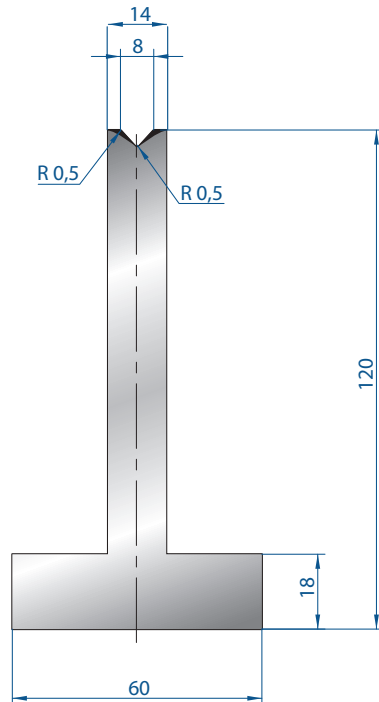
835 mm	30,0 kg
415 mm	15,0 kg
805 mm FRAZ. / SECT.	30,0 kg



3093

Mat = C45
Max T/m = 100
 $\alpha = 85^\circ$

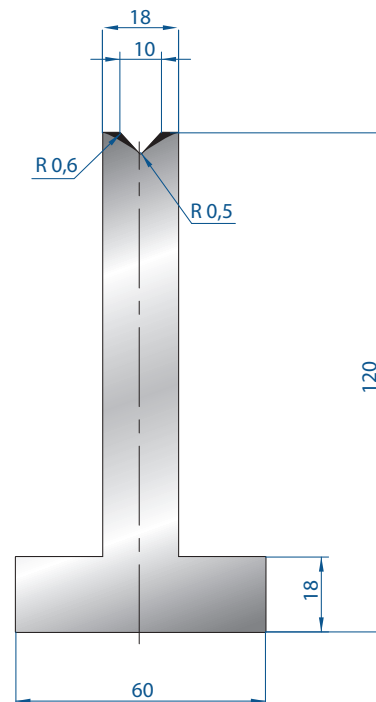
835 mm	17,0 kg
415 mm	8,0 kg
805 mm FRAZ. / SECT.	17,0 kg



3094

Mat = C45
Max T/m = 100
 $\alpha = 85^\circ$

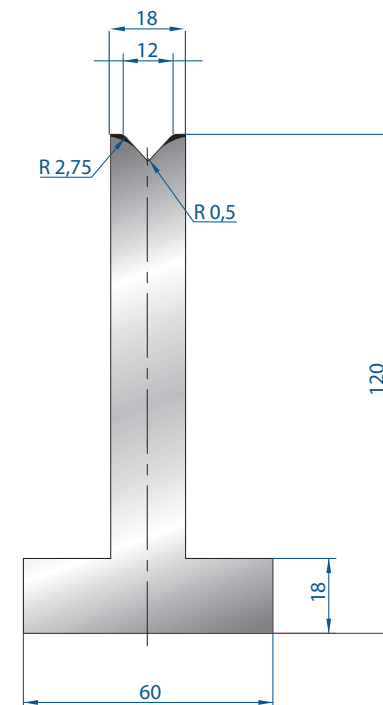
835 mm	17,0 kg
415 mm	8,0 kg
805 mm FRAZ. / SECT.	17,0 kg



3095

Mat = C45
Max T/m = 100
 $\alpha = 85^\circ$

835 mm	18,0 kg
415 mm	9,0 kg
805 mm FRAZ. / SECT.	18,0 kg

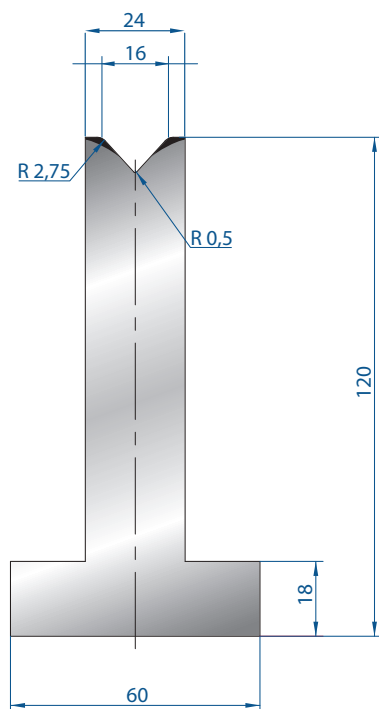


3096

Mat = C45
Max T/m = 100
 $\alpha = 85^\circ$

835 mm	18,0 kg
415 mm	9,0 kg
805 mm FRAZ. / SECT.	18,0 kg

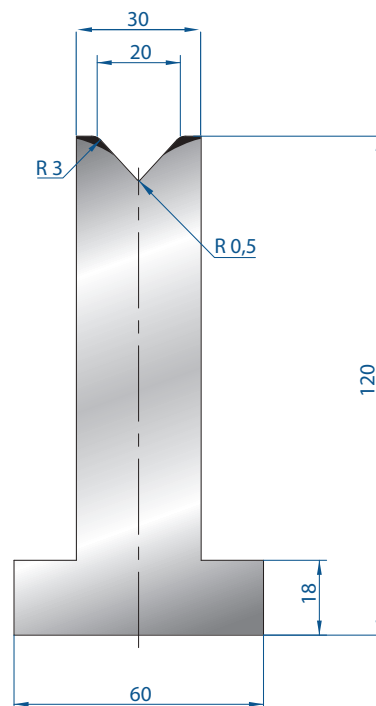




3097

Mat = C45
Max T/m = 100
α = 85°

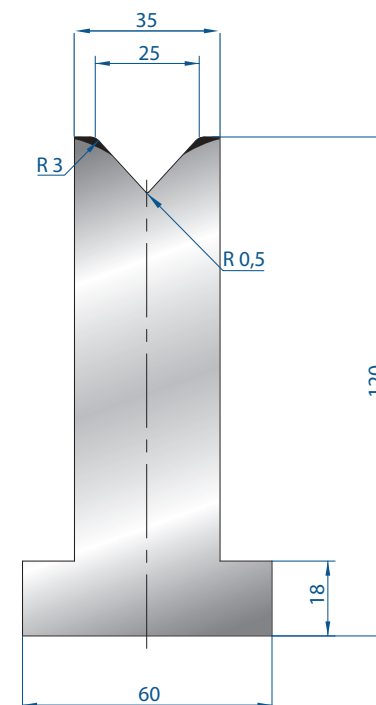
835 mm	22,0 kg
415 mm	11,0 kg
805 mm FRAZ. / SECT.	22,0 kg



3098

Mat = C45
Max T/m = 100
α = 85°

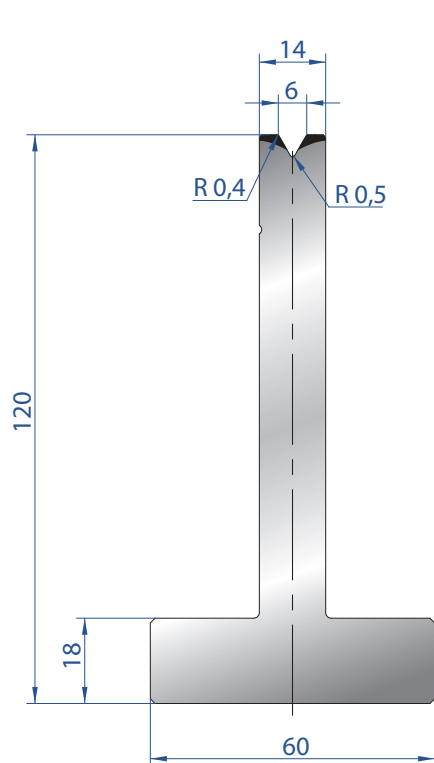
835 mm	27,0 kg
415 mm	13,0 kg
805 mm FRAZ. / SECT.	27,0 kg



3099

Mat = C45
Max T/m = 100
α = 85°

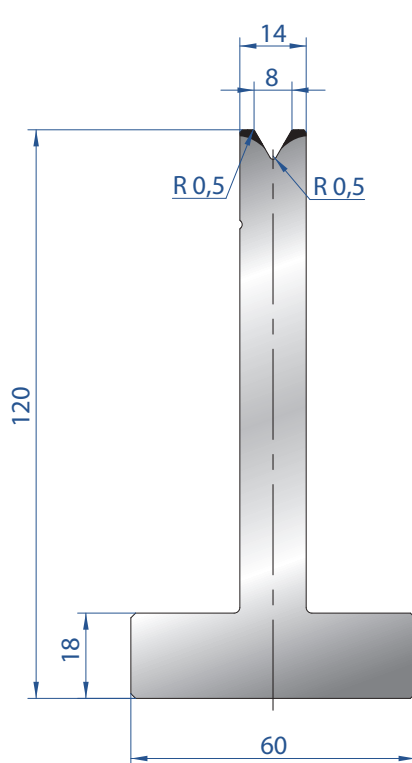
835 mm	13,0 kg
415 mm	5,0 kg
805 mm FRAZ. / SECT.	13,0 kg



3059

Mat = C45
Max T/m = 60
 $\alpha = 60^\circ$

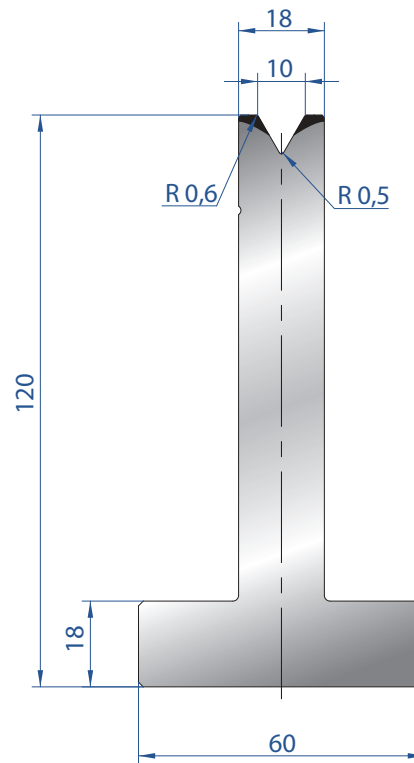
835 mm	17,0 kg
415 mm	8,0 kg
805 mm FRAZ. / SECT.	17,0 kg



3060

Mat = C45
Max T/m = 60
 $\alpha = 60^\circ$

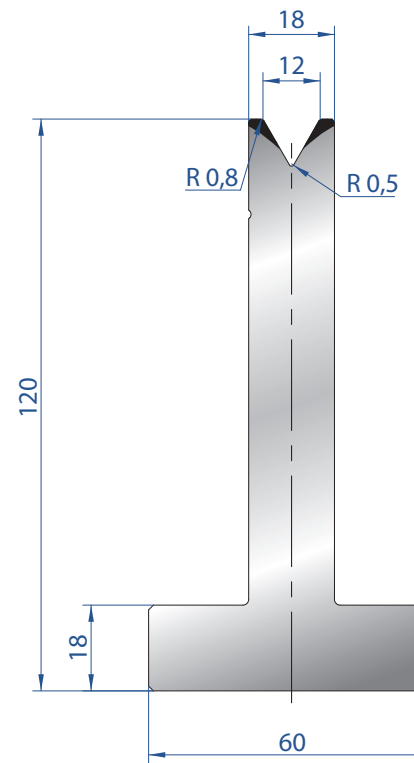
835 mm	17,0 kg
415 mm	8,0 kg
805 mm FRAZ. / SECT.	17,0 kg



3061

Mat = C45
Max T/m = 60
 $\alpha = 60^\circ$

835 mm	18,0 kg
415 mm	9,0 kg
805 mm FRAZ. / SECT.	18,0 kg

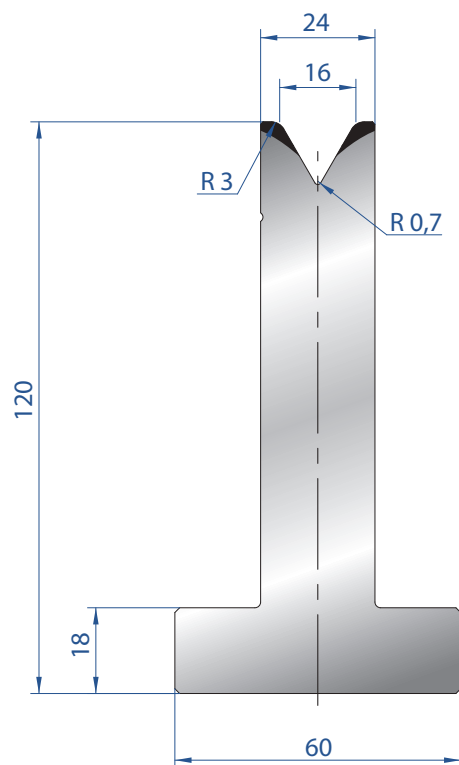


3062

Mat = C45
Max T/m = 75
 $\alpha = 60^\circ$

835 mm	18,0 kg
415 mm	9,0 kg
805 mm FRAZ. / SECT.	18,0 kg

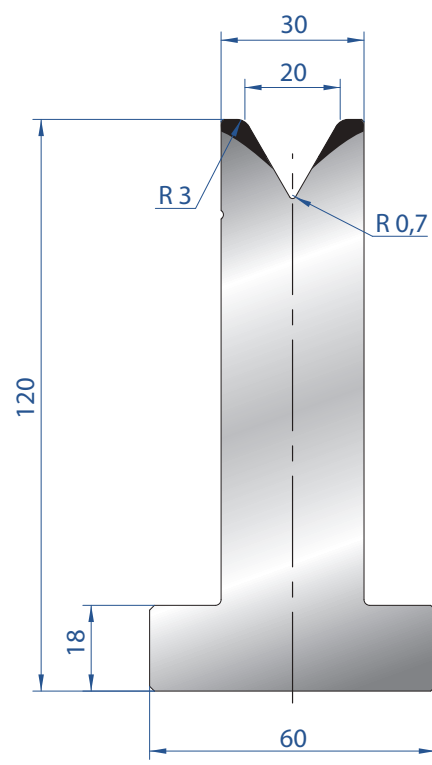




3063

Mat = C45
Max T/m = 70
 $\alpha = 60^\circ$

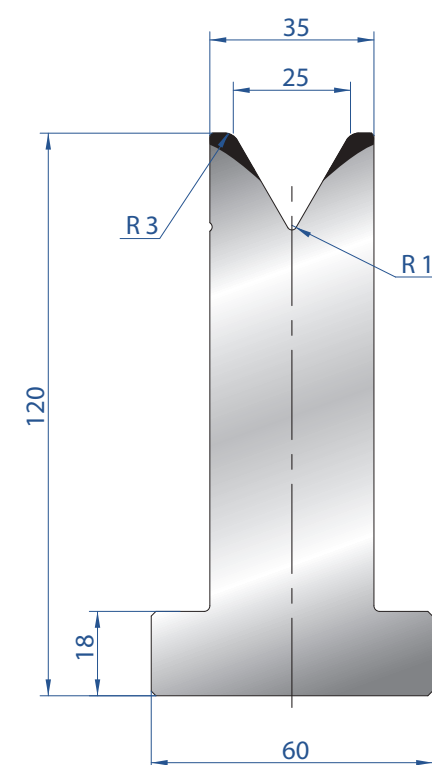
835 mm	22,0 kg
415 mm	11,0 kg
805 mm FRAZ. / SECT.	22,0 kg



3064

Mat = C45
Max T/m = 65
 $\alpha = 60^\circ$

835 mm	27,0 kg
415 mm	13,0 kg
805 mm FRAZ. / SECT.	27,0 kg



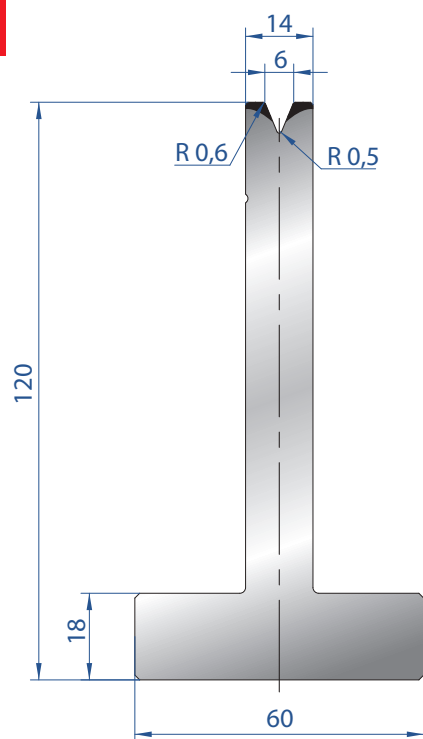
3065

Mat = C45
Max T/m = 60
 $\alpha = 60^\circ$

835 mm	30,0 kg
415 mm	15,0 kg
805 mm FRAZ. / SECT.	30,0 kg

AMADA
PROMECAM STYLE

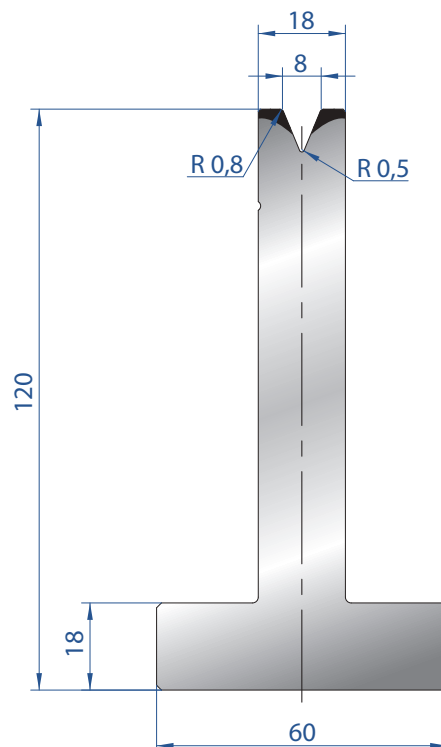




3066

Mat = C45
Max T/m = 50
 $\alpha = 45^\circ$

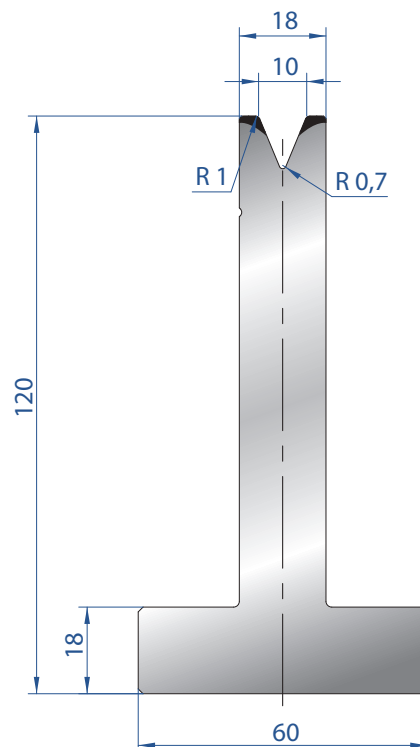
835 mm	17,0 kg
415 mm	8,0 kg
805 mm FRAZ. / SECT.	17,0 kg



3067

Mat = C45
Max T/m = 50
 $\alpha = 45^\circ$

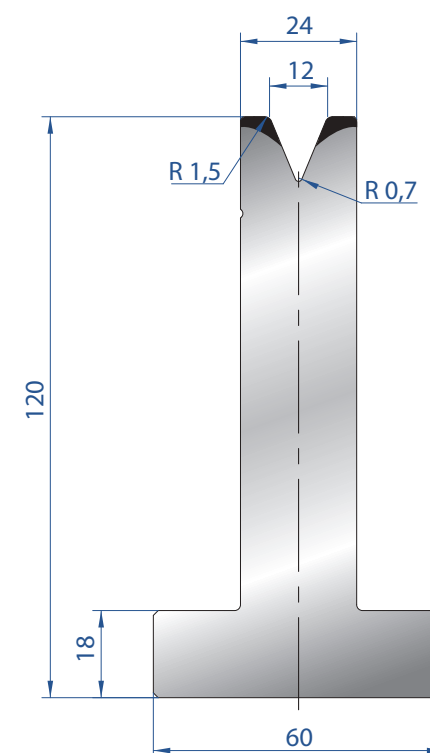
835 mm	17,0 kg
415 mm	8,0 kg
805 mm FRAZ. / SECT.	17,0 kg



3068

Mat = C45
Max T/m = 50
 $\alpha = 45^\circ$

835 mm	18,0 kg
415 mm	8,0 kg
805 mm FRAZ. / SECT.	17,0 kg

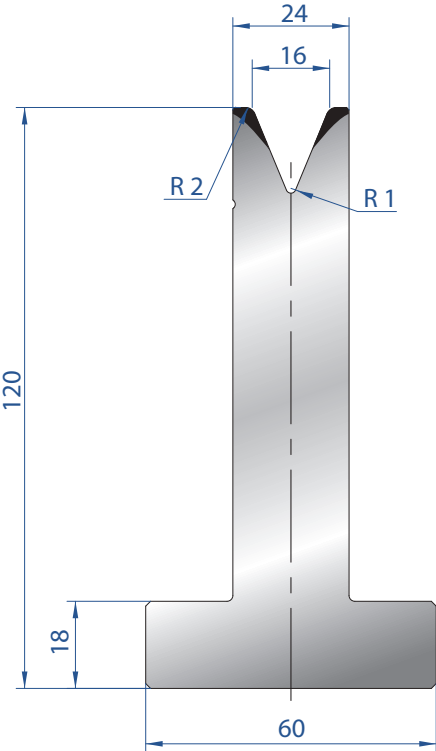


3069

Mat = C45
Max T/m = 50
 $\alpha = 45^\circ$

835 mm	22,0 kg
415 mm	11,0 kg
805 mm FRAZ. / SECT.	22,0 kg

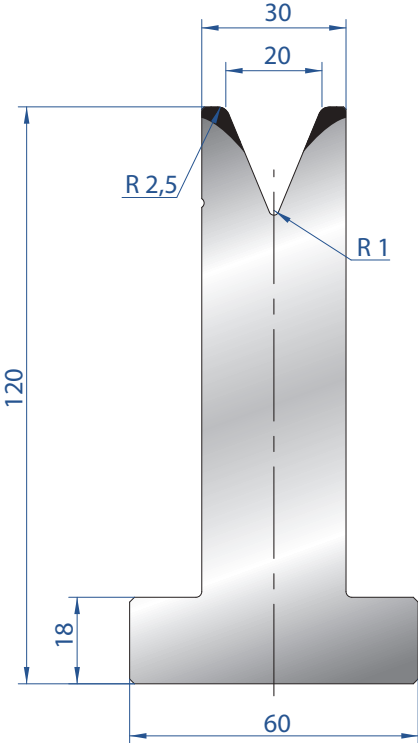




3070

Mat = C45
Max T/m = 50
 $\alpha = 45^\circ$

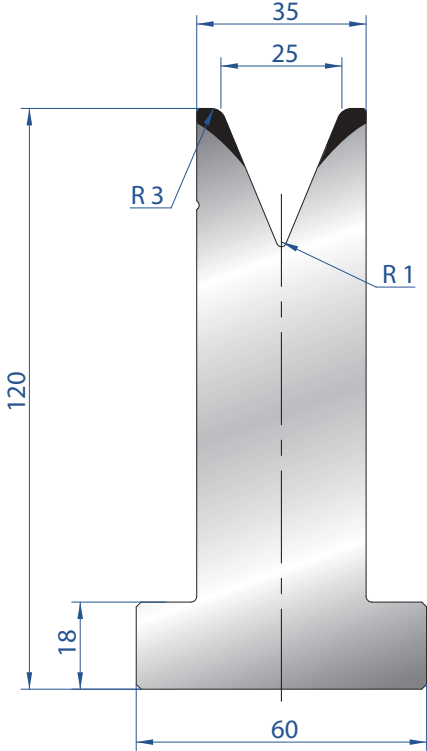
835 mm	22,0 kg
415 mm	11,0 kg
805 mm FRAZ. / SECT.	22,0 kg



3071

Mat = C45
Max T/m = 50
 $\alpha = 45^\circ$

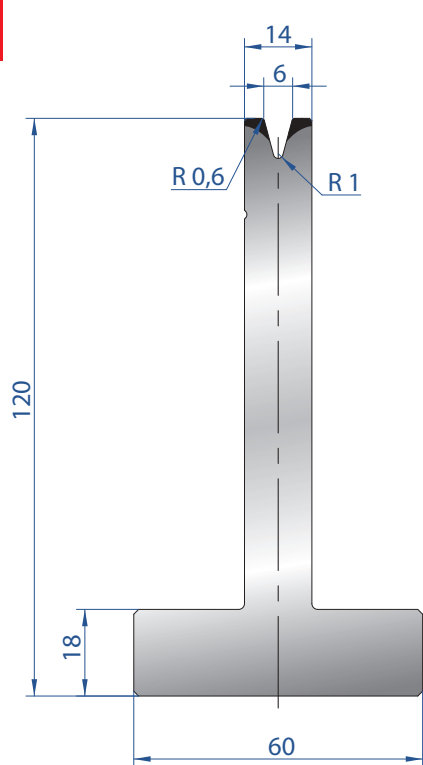
835 mm	27,0 kg
415 mm	13,0 kg
805 mm FRAZ. / SECT.	27,0 kg



3072

Mat = C45
Max T/m = 50
 $\alpha = 45^\circ$

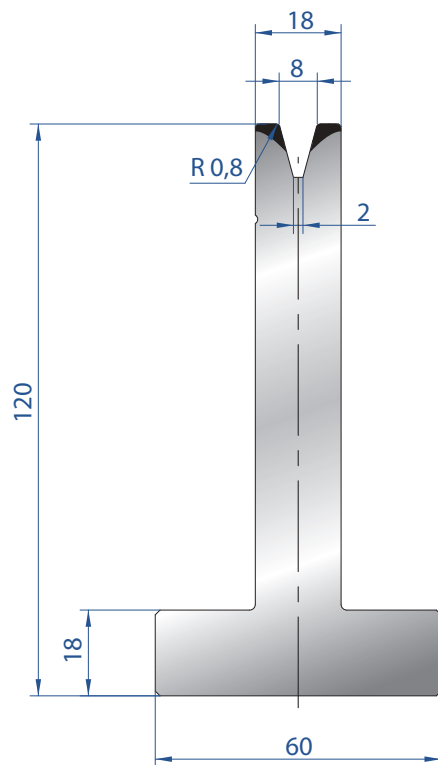
835 mm	30,0 kg
415 mm	15,0 kg
805 mm FRAZ. / SECT.	30,0 kg



3073

Mat = C45
Max T/m = 35
 $\alpha = 30^\circ$

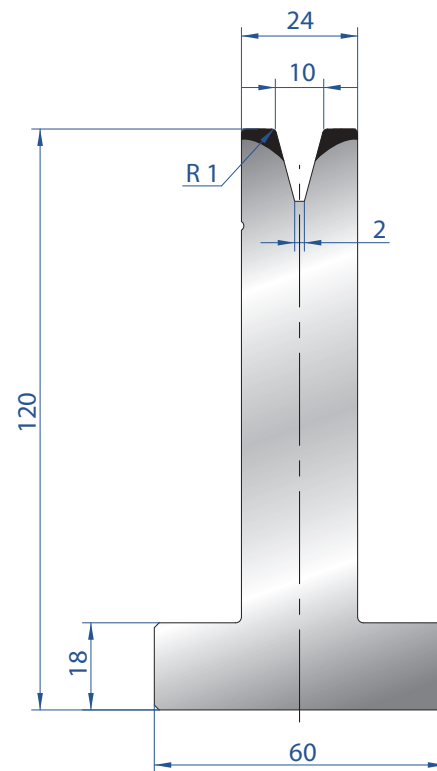
835 mm	17,0 kg
415 mm	8,0 kg
805 mm FRAZ. / SECT.	17,0 kg



3074

Mat = C45
Max T/m = 40
 $\alpha = 30^\circ$

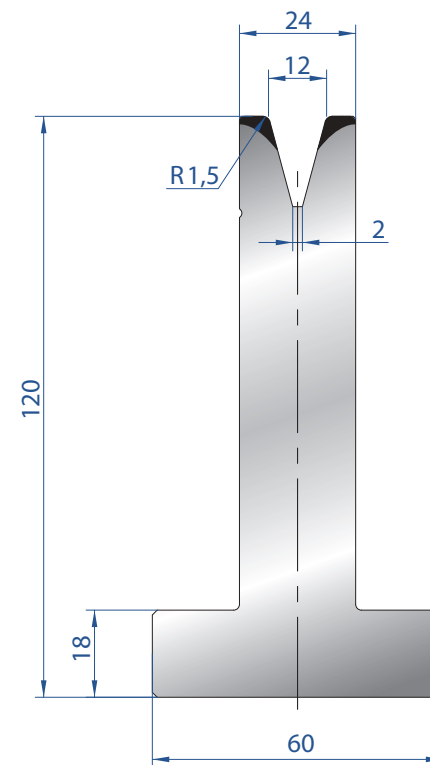
835 mm	18,0 kg
415 mm	9,0 kg
805 mm FRAZ. / SECT.	18,0 kg



3075

Mat = C45
Max T/m = 50
 $\alpha = 30^\circ$

835 mm	22,0 kg
415 mm	11,0 kg
805 mm FRAZ. / SECT.	22,0 kg

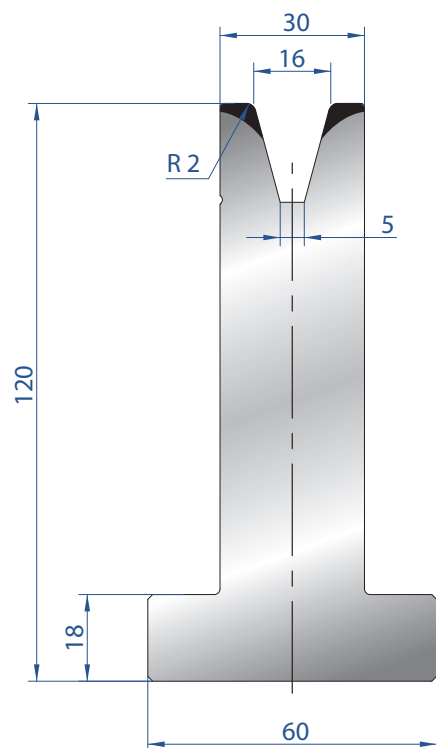


3076

Mat = C45
Max T/m = 50
 $\alpha = 30^\circ$

835 mm	22,0 kg
415 mm	11,0 kg
805 mm FRAZ. / SECT.	22,0 kg

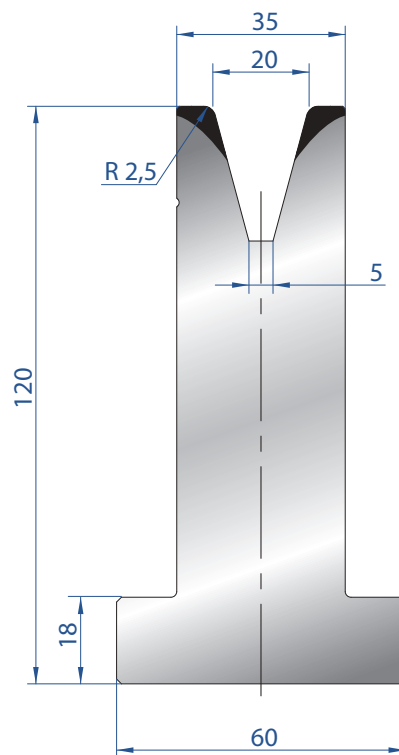




3077

Mat = C45
Max T/m = 50
 $\alpha = 30^\circ$

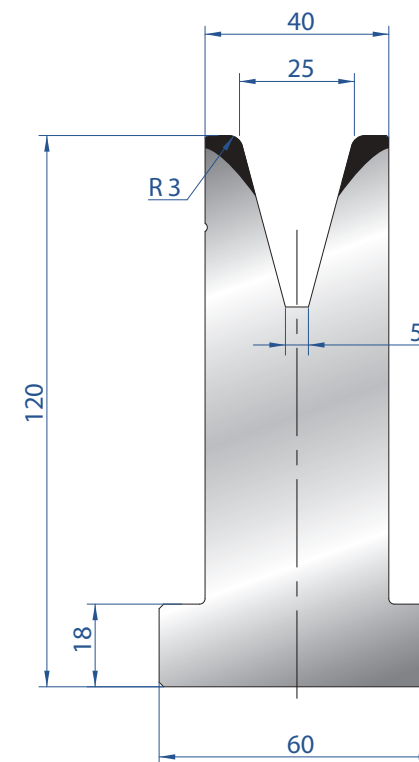
835 mm	27,0 kg
415 mm	13,0 kg
805 mm FRAZ. / SECT.	27,0 kg



3078

Mat = C45
Max T/m = 55
 $\alpha = 30^\circ$

835 mm	30,0 kg
415 mm	15,0 kg
805 mm FRAZ. / SECT.	30,0 kg

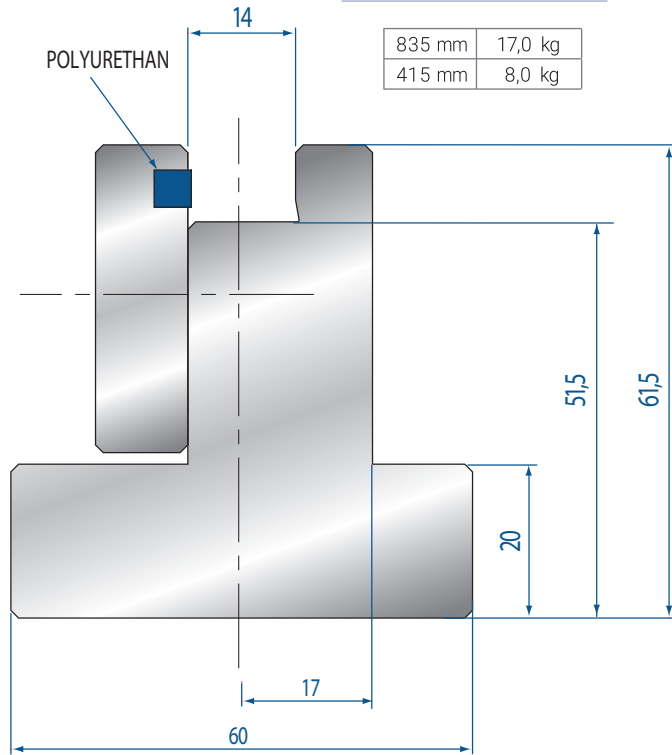


3079

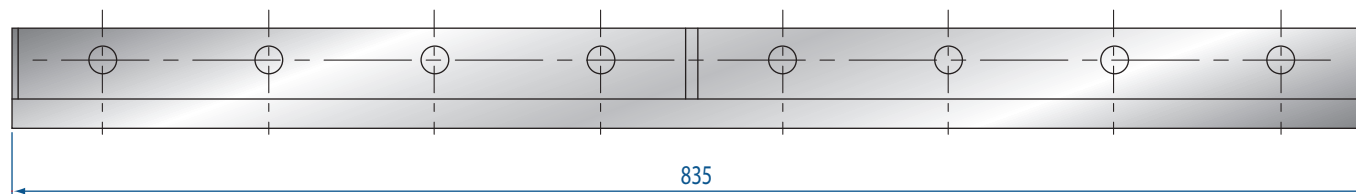
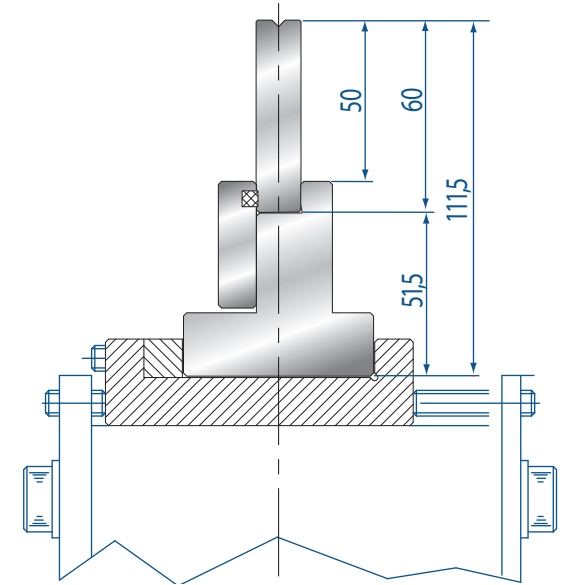
Mat = C45
Max T/m = 50
 $\alpha = 30^\circ$

835 mm	33,0 kg
415 mm	16,0 kg
805 mm FRAZ. / SECT.	33,0 kg

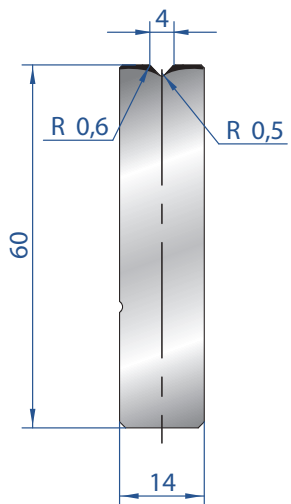
3173



ESEMPIO DI MONTAGGIO
ASSEMBLY EXAMPLE



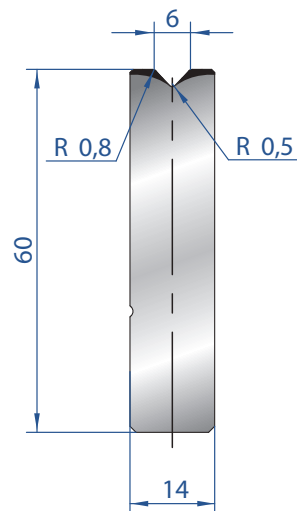




3158

Mat = C45
Max T/m = 100
 $\alpha = 88^\circ$

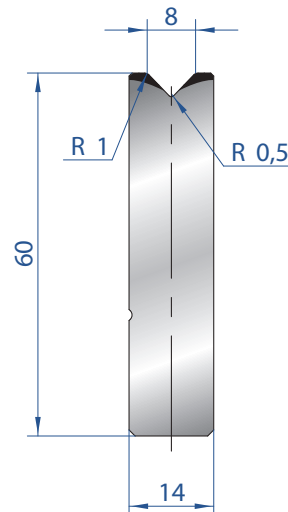
835 mm	5,0 kg
415 mm	2,0 kg
805 mm FRAZ. / SECT.	5,0 kg



3159

Mat = C45
Max T/m = 100
 $\alpha = 88^\circ$

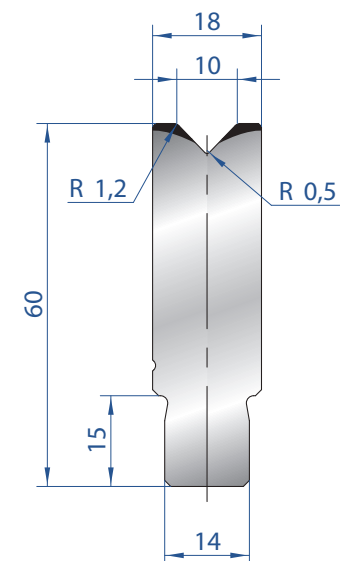
835 mm	5,0 kg
415 mm	2,0 kg
805 mm FRAZ. / SECT.	5,0 kg



3160

Mat = C45
Max T/m = 100
 $\alpha = 88^\circ$

835 mm	5,0 kg
415 mm	2,0 kg
805 mm FRAZ. / SECT.	5,0 kg

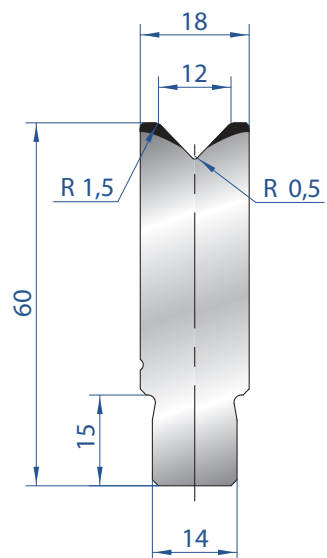


3161

Mat = C45
Max T/m = 100
 $\alpha = 88^\circ$

835 mm	6,0 kg
415 mm	3,0 kg
805 mm FRAZ. / SECT.	6,0 kg

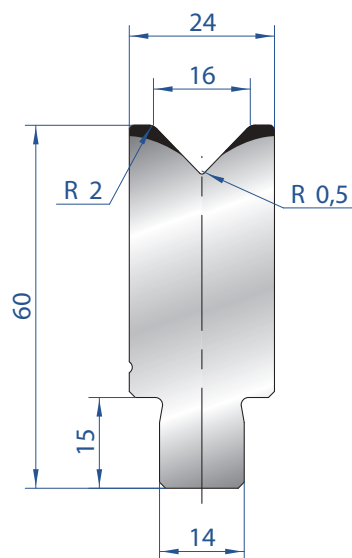




3162

Mat = C45
Max T/m = 100
 $\alpha = 88^\circ$

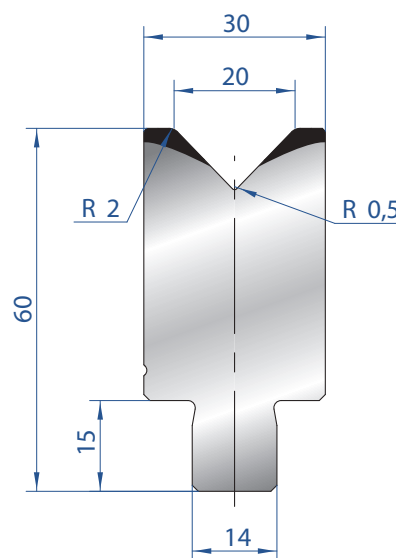
835 mm	6,0 kg
415 mm	3,0 kg
805 mm FRAZ. / SECT.	6,0 kg



3163

Mat = C45
Max T/m = 100
 $\alpha = 88^\circ$

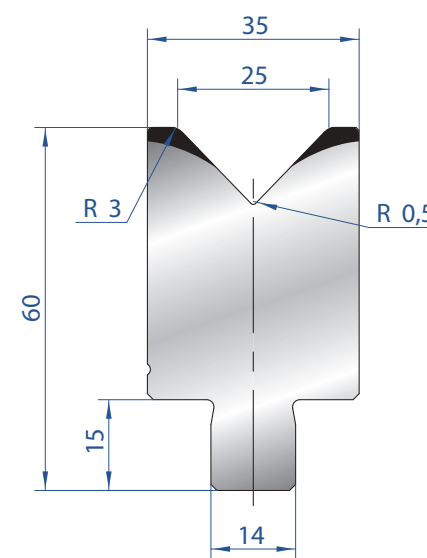
835 mm	8,0 kg
415 mm	4,0 kg
805 mm FRAZ. / SECT.	8,0 kg



3164

Mat = C45
Max T/m = 100
 $\alpha = 88^\circ$

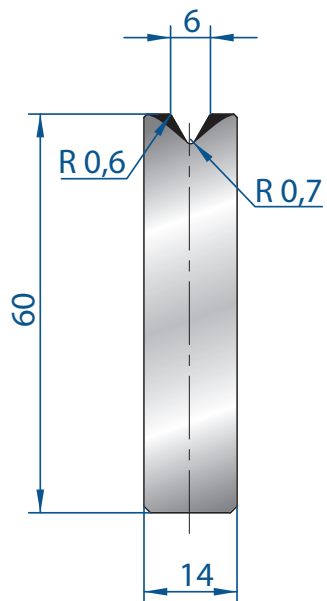
835 mm	9,0 kg
415 mm	4,0 kg
805 mm FRAZ. / SECT.	9,0 kg



3165

Mat = C45
Max T/m = 100
 $\alpha = 88^\circ$

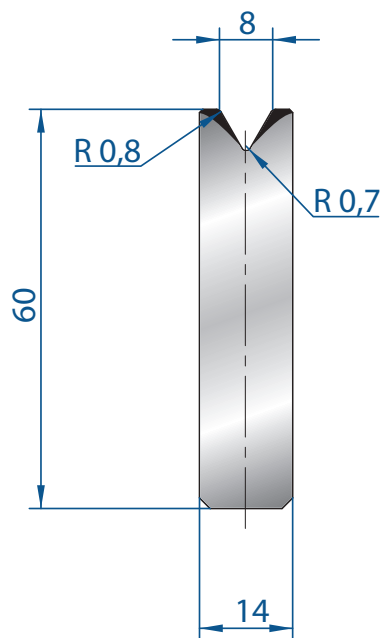
835 mm	10,0 kg
415 mm	5,0 kg
805 mm FRAZ. / SECT.	10,0 kg



3193

Mat = C45
Max T/m = 100
 $\alpha = 60^\circ$

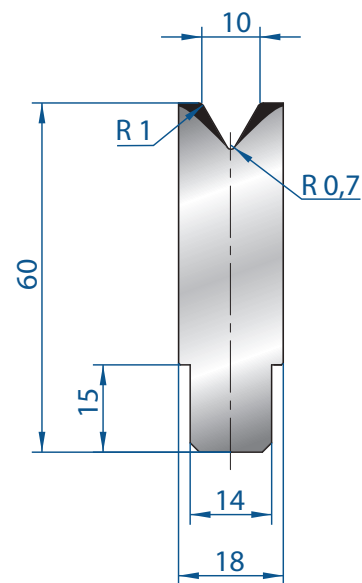
835 mm	5,4 kg
415 mm	2,7 kg
805 mm FRAZ. / SECT.	5,4 kg



3194

Mat = C45
Max T/m = 100
 $\alpha = 60^\circ$

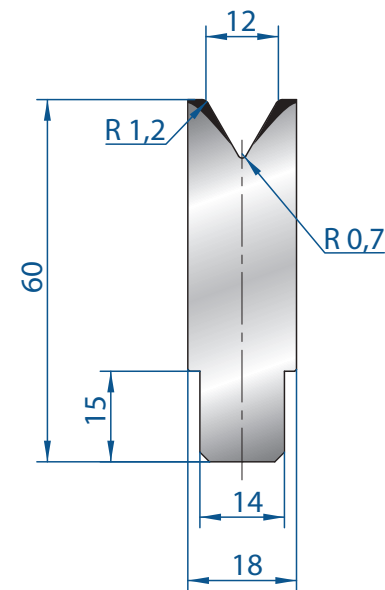
835 mm	5,4 kg
415 mm	2,7 kg
805 mm FRAZ. / SECT.	5,4 kg



3195

Mat = C45
Max T/m = 100
 $\alpha = 60^\circ$

835 mm	6,4 kg
415 mm	3,2 kg
805 mm FRAZ. / SECT.	6,4 kg

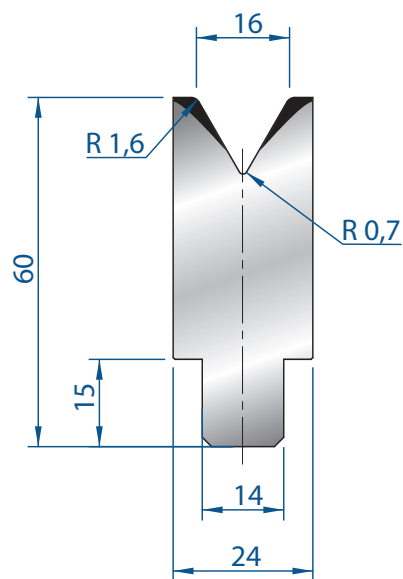


3196

Mat = C45
Max T/m = 100
 $\alpha = 60^\circ$

835 mm	6,2 kg
415 mm	3,1 kg
805 mm FRAZ. / SECT.	6,2 kg



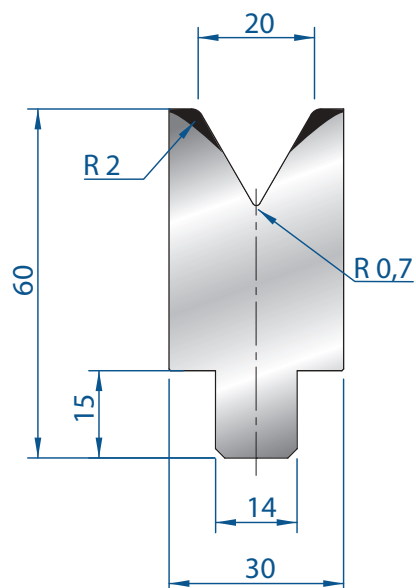


3197

Mat = C45
Max T/m = 100

$\alpha = 60^\circ$

835 mm	7,7 kg
415 mm	3,9 kg
805 mm FRAZ. / SECT.	7,7 kg

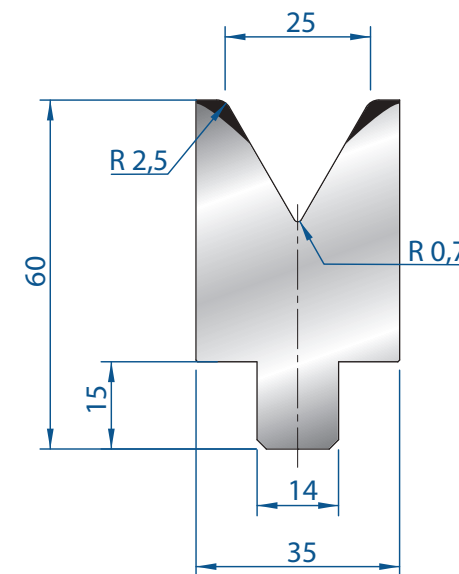


3198

Mat = C45
Max T/m = 100

$\alpha = 60^\circ$

835 mm	9,0 kg
415 mm	4,5 kg
805 mm FRAZ. / SECT.	9,0 kg

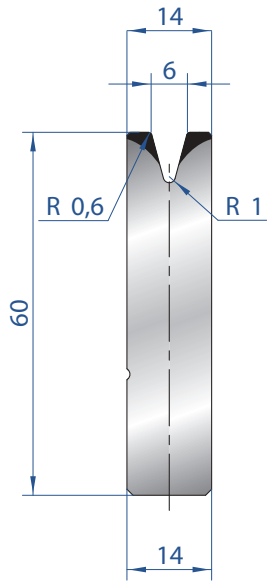


3199

Mat = C45
Max T/m = 100

$\alpha = 60^\circ$

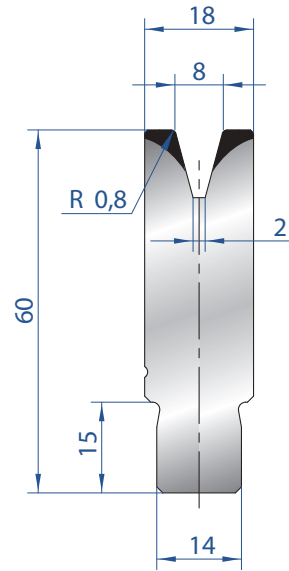
835 mm	10,0 kg
415 mm	5,0 kg
805 mm FRAZ. / SECT.	10,0 kg



3166

Mat = C45
Max T/m = 35
 $\alpha = 30^\circ$

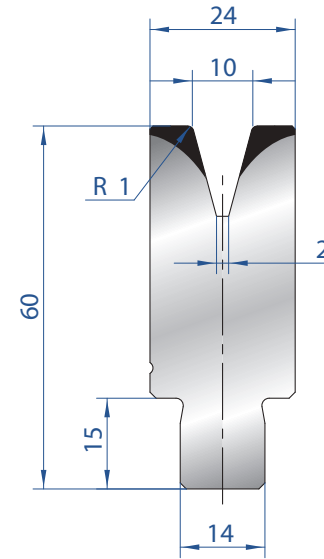
835 mm	5,0 kg
415 mm	2,0 kg
805 mm FRAZ. / SECT.	5,0 kg



3167

Mat = C45
Max T/m = 40
 $\alpha = 30^\circ$

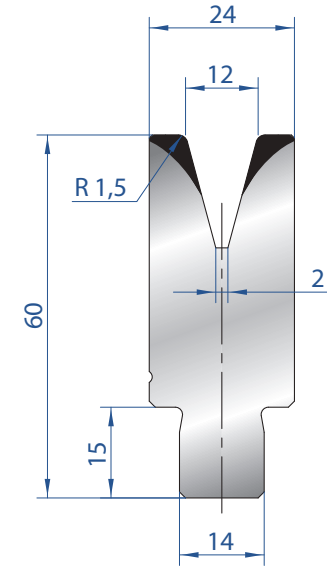
835 mm	6,0 kg
415 mm	3,0 kg
805 mm FRAZ. / SECT.	6,0 kg



3168

Mat = C45
Max T/m = 50
 $\alpha = 30^\circ$

835 mm	8,0 kg
415 mm	4,0 kg
805 mm FRAZ. / SECT.	8,0 kg

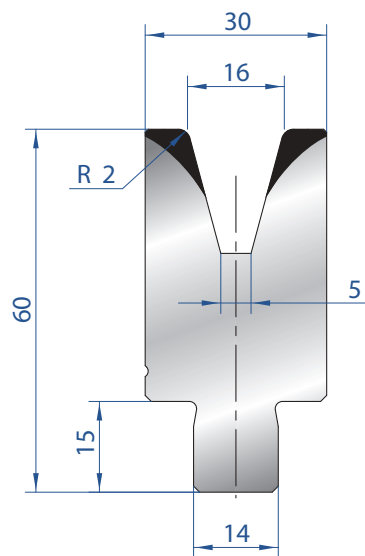


3169

Mat = C45
Max T/m = 50
 $\alpha = 30^\circ$

835 mm	7,0 kg
415 mm	3,0 kg
805 mm FRAZ. / SECT.	7,0 kg

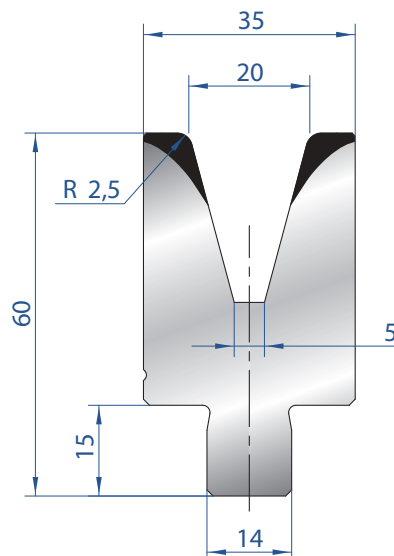




3170

Mat = C45
Max T/m = 50
 $\alpha = 30^\circ$

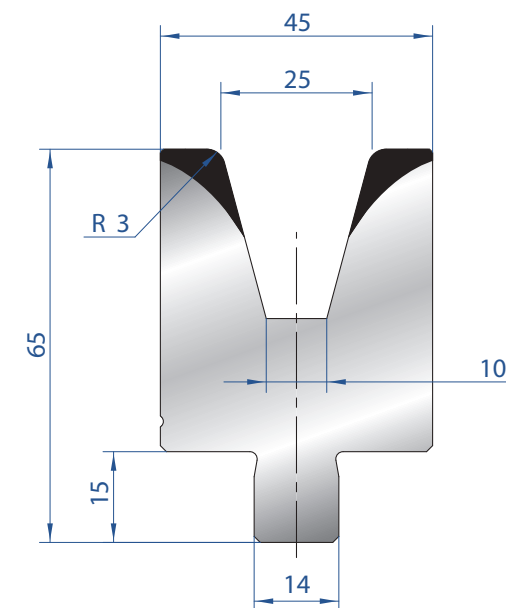
835 mm	9,0 kg
415 mm	4,0 kg
805 mm FRAZ. / SECT.	9,0 kg



3171

Mat = C45
Max T/m = 55
 $\alpha = 30^\circ$

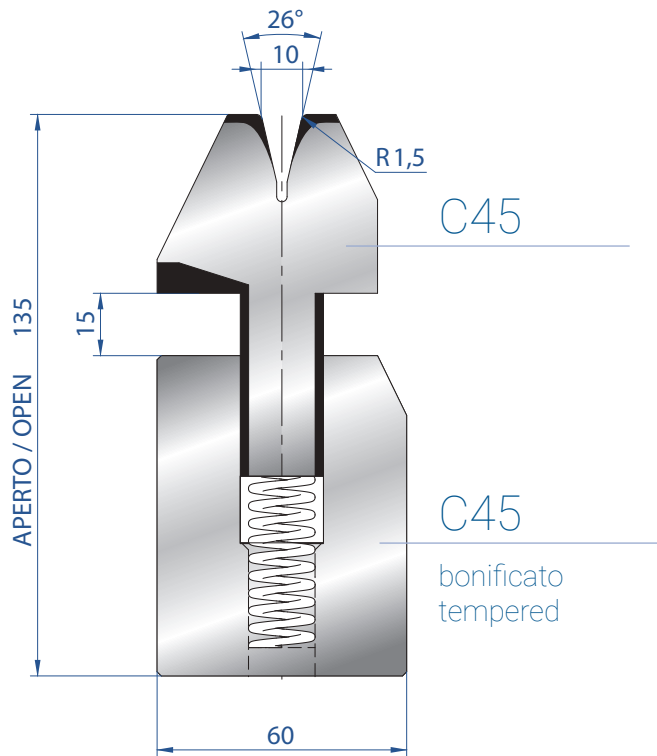
835 mm	9,0 kg
415 mm	4,0 kg
805 mm FRAZ. / SECT.	9,0 kg



3172

Mat = C45
Max T/m = 55
 $\alpha = 30^\circ$

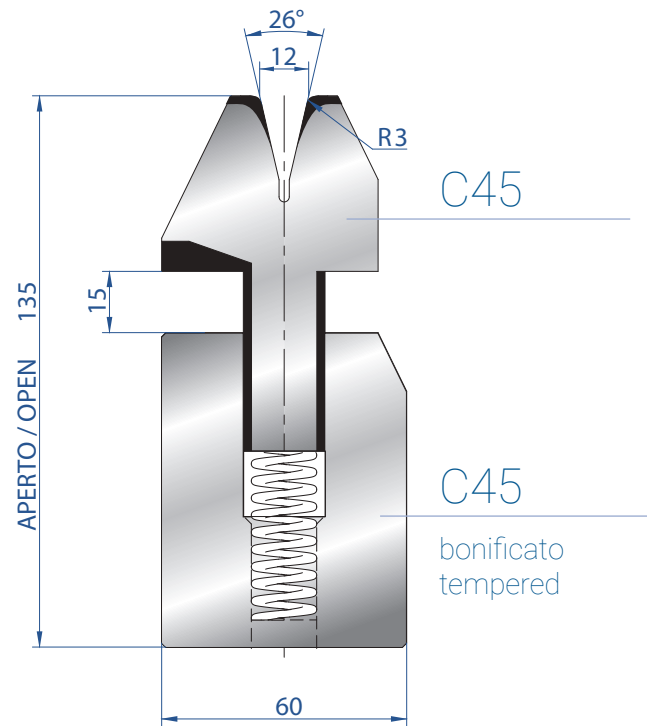
835 mm	13,0 kg
415 mm	6,0 kg
805 mm FRAZ. / SECT.	13,0 kg



3038

Spessore:
da 1,5 mm a 2,5 mm
Sheet metal thickness:
from 1,5 to 2,5 mm
Max T/m = 100

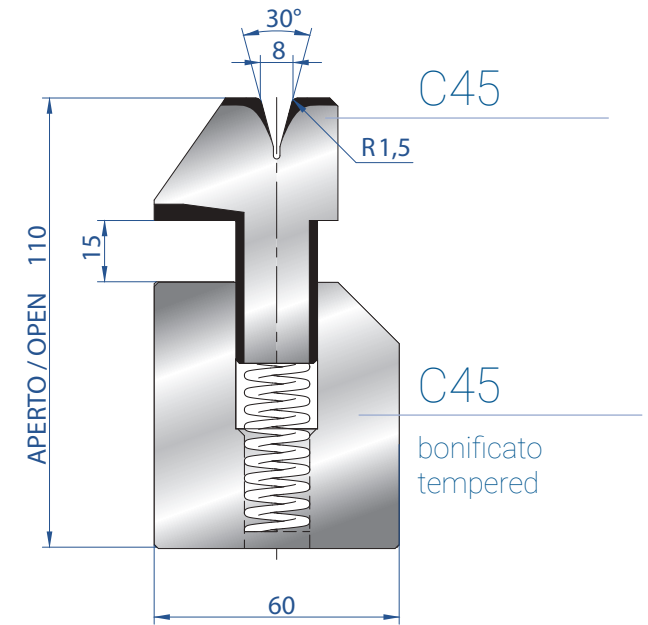
835 mm	42,0 kg
415 mm	21,0 kg



3040

Spessore:
da 1,5 mm a 3,0 mm
Sheet metal thickness:
from 1,5 to 3,0 mm
Max T/m = 100

835 mm	42,0 kg
415 mm	21,0 kg

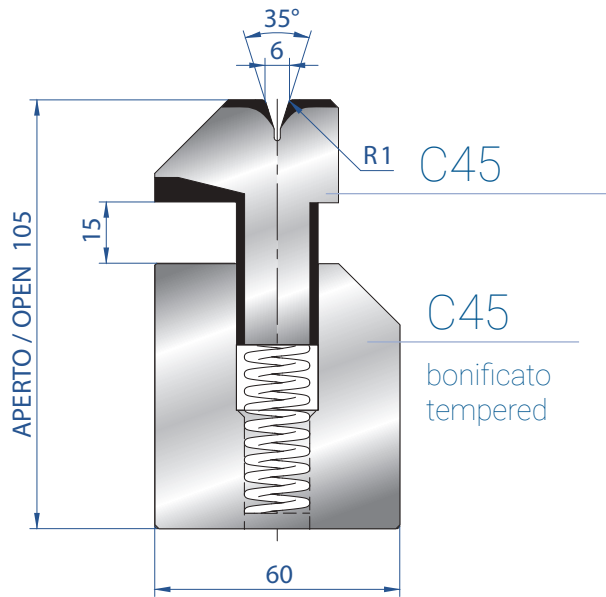


3041

Spessore:
max 1,5 mm
Sheet metal thickness:
max 1,5 mm
Max T/m = 80

835 mm	34,0 kg
415 mm	17,0 kg





3039

Spessore:

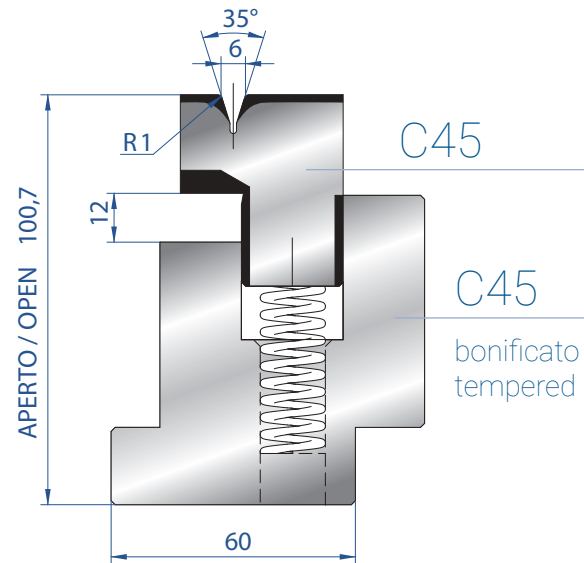
max 1,0 mm

Sheet metal thickness:

max 1,0 mm

Max T/m = 80

835 mm	32,0 kg
415 mm	16,0 kg



3037 / 6

Spessore:

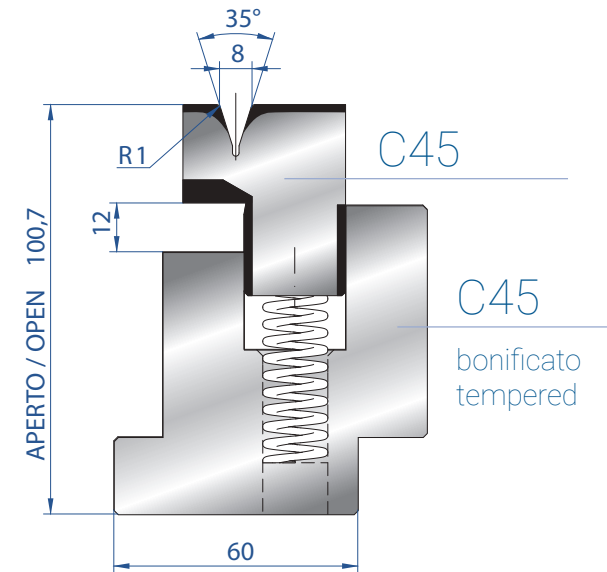
max 1,0 mm

Sheet metal thickness:

max 1,0 mm

Max T/m = 60

835 mm	34,0 kg
415 mm	17,0 kg



3037 / 8

Spessore:

max 1,2 mm

Sheet metal thickness:

max 1,2 mm

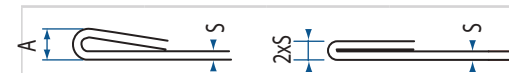
Max T/m = 60

835 mm	34,0 kg
415 mm	17,0 kg



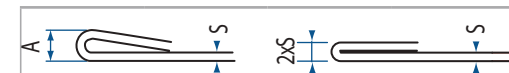
TONNELLAGGI PER SCHIACCIATURA
HEMMING POWER

Ferro normale R.45 Kg/mm² / Mild Steel R.45 Kg/mm²



S mm	A mm	Ton /M	2xS	Ton /M
0,6	3	9	1,2	23
0,8	3	12	1,6	32
1	3,5	15	2	40
1,25	3,5	17	2,5	50
1,5	4,6	22	3	63
2	5,5	30	4	80
2,5	6,5	55	5	90
3	8	70	6	100

Inox R.70 Kg/mm² / Stainless Steel R.70 Kg/mm²



S mm	A mm	Ton /M	2xS	Ton /M
0,6	3	15	1,2	35
0,8	3	20	1,6	50
1	3,5	25	2	60
1,25	3,5	26	2,5	80
1,5	4,6	38	3	95
2	5,5	50	4	130



4313

4,0 kg



Kit pneumatico
Pneumatic Kit

	V	A	R	H aperto/open	Max T/M
3038 PN	10	26°	1,5	135	100

835 mm	42,0 kg
415 mm	21,0 kg

3039 PN	6	35°	1	105	80
----------------	---	-----	---	-----	----

835 mm	32,0 kg
415 mm	16,0 kg

3040 PN	12	26°	3	135	100
----------------	----	-----	---	-----	-----

835 mm	42,0 kg
415 mm	21,0 kg

3041 PN	8	30°	1,5	110	80
----------------	---	-----	-----	-----	----

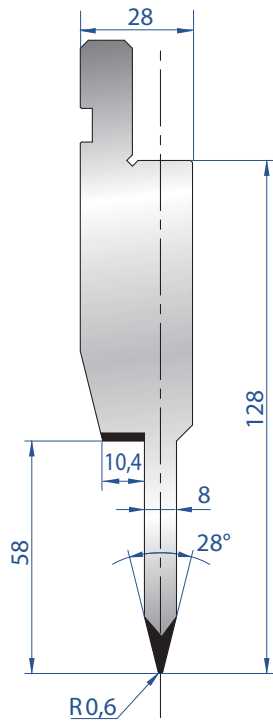
835 mm	34,0 kg
415 mm	17,0 kg



Raccordo d'ingresso
Input connection

Raccordo intermedio
Intermediate connection

Raccordo finale
Output connection

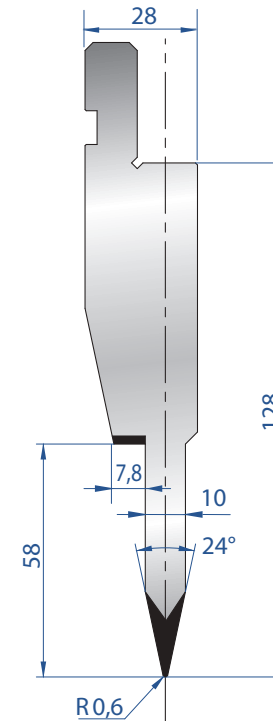


1195

Mat = C45
bonificato / tempered
Max T/m = 80

835 mm	17,0 kg
415 mm	8,0 kg
805 mm FRAZ. / SECT.	17,0 kg

Spessore:
Max 1,2 mm Ferro
Thickness:
Max 1,2 mm Mild steel

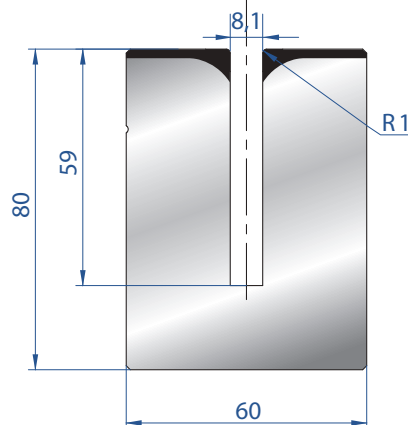


1196

Mat = C45
bonificato / tempered
Max T/m = 80

835 mm	18,0 kg
415 mm	9,0 kg
805 mm FRAZ. / SECT.	18,0 kg

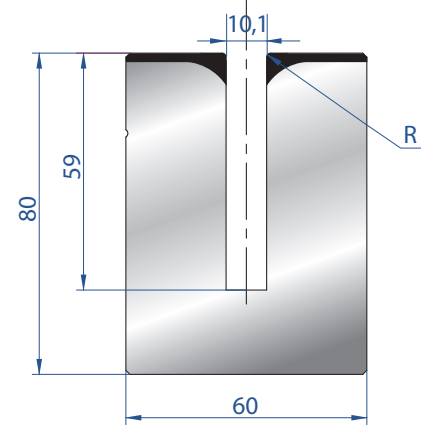
Spessore:
Max 1,5 mm Ferro
Thickness:
Max 1,5 mm Mild steel



3176

Mat = C45
bonificato / tempered
Max T/m = 50

835 mm	28,0 kg
415 mm	14,0 kg
805 mm FRAZ. / SECT.	28,0 kg



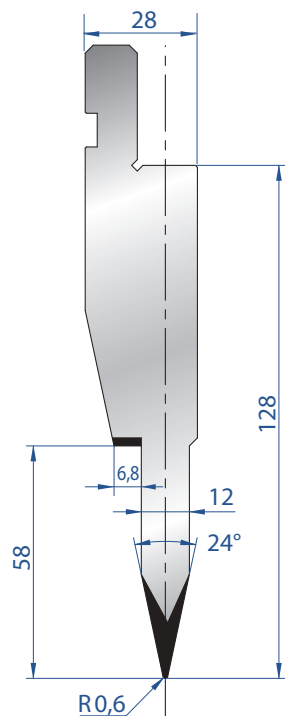
3177

Mat = C45
bonificato / tempered
Max T/m = 50

835 mm	27,0 kg
415 mm	13,0 kg
805 mm FRAZ. / SECT.	27,0 kg



835 mm -415mm - Frazionato / Segmented

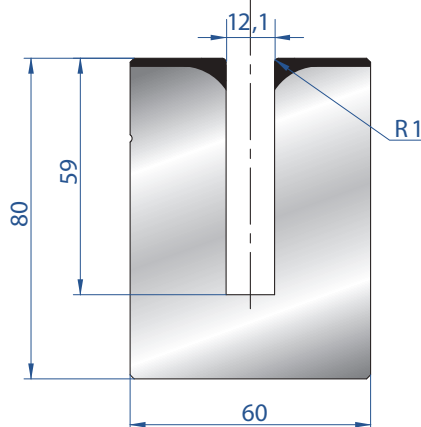


1197

Mat = C45
bonificato / tempered
Max T/m = 80

835 mm	18,0 kg
415 mm	9,0 kg
805 mm FRAZ. / SECT.	18,0 kg

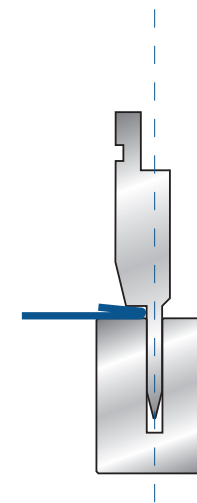
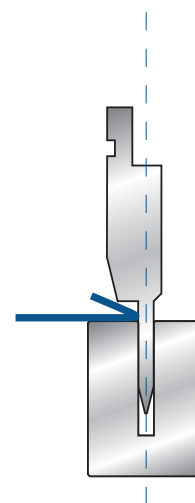
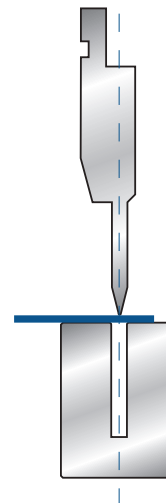
Spessore:
Max 1,5 mm Ferro
Thickness:
Max 1,5 mm Mild steel



3178

Mat = C45
bonificato / tempered
Max T/m = 50

835 mm	26,0 kg
415 mm	13,0 kg
805 mm FRAZ. / SECT.	26,0 kg







EUROSTAMP TOOLING
the Italian excellence



Eurostamp srl

sede di produzione / production site
uffici commerciali / sales office

Via A. Borotti 9/11
29121 Piacenza (Italy)
Tel. +39 0523 489 954
Tel. +39 0523 499 254
Fax +39 0523 400 490
info@eurostampsrl.it

www.eurostampsrl.it